



**Reckon™**  
3/4 hp garbage disposal  
**K-29361**

**Features**

- 3/4 hp heavy-duty induction motor powerfully grinds tough food waste
- 26 oz grind chamber
- Single-stage grind
- Continuous feed lets you add scraps as you go
- Removable sink baffle dampens motor sound
- Compact design saves valuable cabinet space
- Box includes: Disposal, stainless steel stopper, removable baffle, discharge tube kit, power cord kit, self-service wrench, mounting hardware

**Material**

- Durable stainless steel construction

**Installation**

- Requires power cord kit or hard-wired power connection
- Under-sink

**Recommended Products/Accessories**

K-11352 Disposal Flange with Stopper



**Codes/Standards**

ASSE 1008  
UL 430

**KOHLER® Garbage Disposer Limited Warranty**

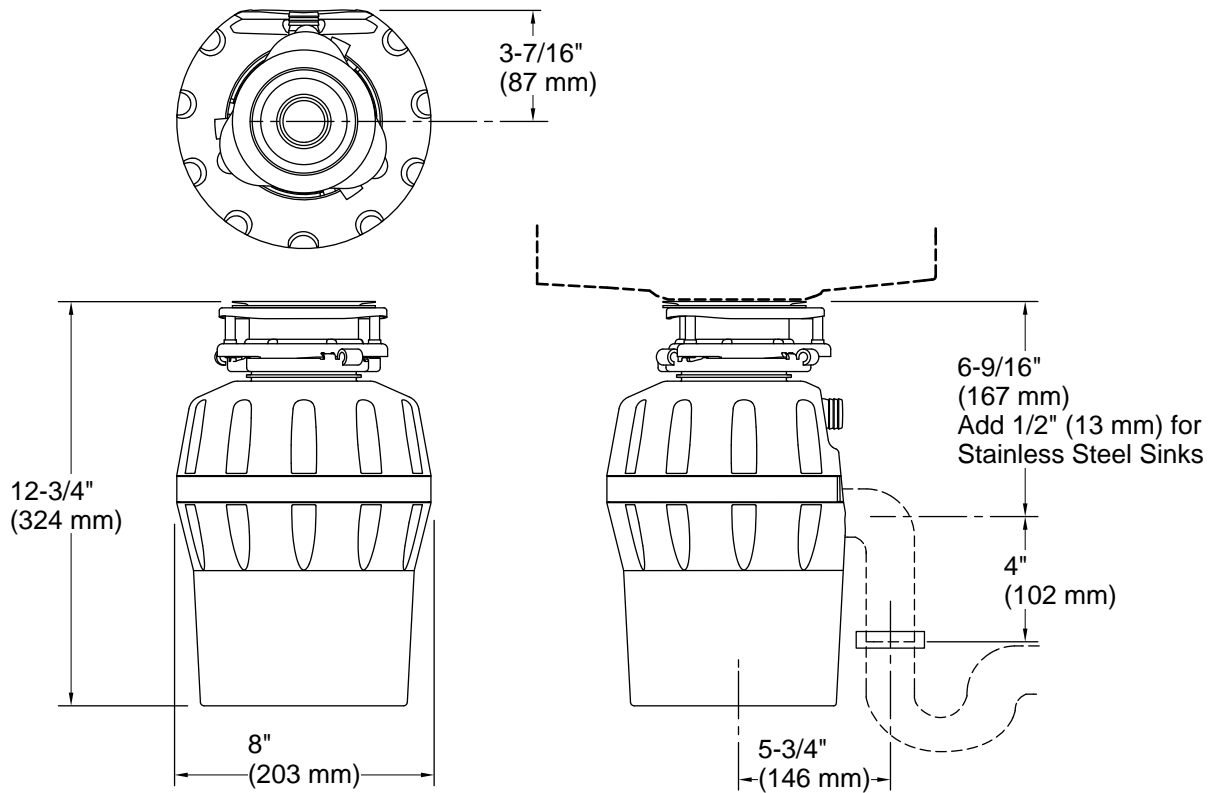
See website for detailed warranty information.

**Available Colors/Finishes**

*Color tiles intended for reference only.*

**Color Code Description**

■	CHR	Charcoal
---	-----	----------



## Required Electrical Service

One circuit required.

Motor: 120 V, 9.5 A, 60 Hz

## Technical Information

All product dimensions are nominal.

Material: Plastic, Stainless Steel

Electrical component Motor: 60 Hz  
rating:

## Notes

Install this product according to the installation instructions.