

## Features

- Side-integrated LED lighting provides optimally bright bathroom vanity lighting for grooming tasks.
- Brightness at 1650 lumens ensures consistent lighting with no hot spots or dark spots. Produces 80 lumens per watt.
- Approx. 3000 Kelvin light appearance delivers a neutral light ideal for overall bathroom aesthetics as well as tasks.
- Minimum 90 CRI (color rendering index) lets you see yourself in the truest light for makeup application, grooming and skin care.
- Integrated LED bulbs have an estimated life expectancy of 50,000 hours.
- Compatible with wall-mount LED dimmers (not included), which allow you to control lighting from multiple locations in the space.
- Innovative staggered shelf layout fits tall and short items.
- Three fixed shelves—one full width and two partial.
- Internal shelf features electrical outlet for powering small devices such as toothbrushes or razors.
- Holds optional Moxie® speaker charging dock (K-81106); speaker and charging dock sold separately.
- Low-profile design hugs the wall for a clean look.
- Front mirror, inside door mirror, and back panel mirror provide superior visibility.
- Two-way adjustable hinges with 108° opening capability for easy cabinet access.

## Material

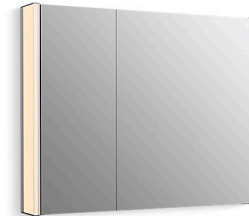
- Rustproof aluminum.

## Installation

- Easy surface-mount installation—no wall cutting.
- Reversible: install as left- or right-hinge swing.
- Includes mounting hardware.

## Recommended Products/Accessories

K-28238-GKA Showerhead and wireless speaker with Amazon Alexa  
K-28238-GKE Showerhead and wireless speaker  
K-28238-NKA Showerhead and wireless speaker with Amazon Alexa  
K-28238-NKE Showerhead and wireless speaker  
K-28238T-NKE  
K-R28238-GKE Showerhead and wireless speaker  
K-81106 Maxstow charging dock  
K-99506-LG Vanity  
K-99506-TK Vanity



## Codes/Standards

UL 962  
CSA C22.2 No. 0  
CA Title 24 JA8

## KOHLER® One-Year Limited Warranty

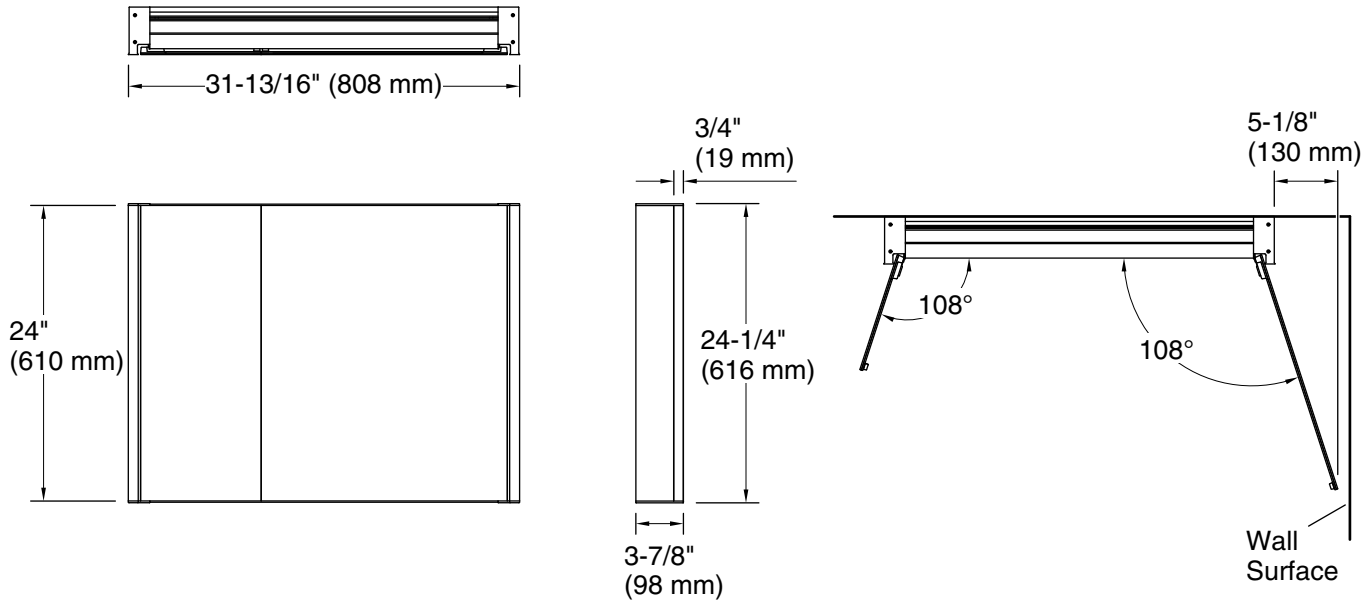
See website for detailed warranty information.

## Available Colors/Finishes

*Color tiles intended for reference only.*

### Color Code Description

	DA1	Dark Anodized Aluminum
---	-----	------------------------



### Required Electrical Service

One circuit required, protected with Class A Ground-Fault Circuit-Interrupter (GFCI). Outside North America, this device may be known as a Residual Current Device (RCD).

Lights: 120 V, 5 A, 60 Hz

### Technical Information

All product dimensions are nominal.

Lighting included: Yes

Electrical component rating: LED: 120 V, 5 A, 60 Hz 1200 Lumens, 3000K

### Notes

Install this product according to the installation instructions.