



Anthem® | K-26335-9

Two-way exposed thermostatic valve and control panel with integrated handshower holder

Features

- Modern, simplistic exposed thermostatic valve serves as a hub for shower controls
- Mechanically controlled thermostatic mixing valve maintains outlet temperature throughout shower experience
- Control panel includes adjustable temperature dial with integrated adjustable high-temperature limit feature, shower outlet on/off buttons, and one filter for each outlet with space for up to four filters
- When pressed once, shower outlet turns on and button pops out, becoming a knob for water flow adjustment
- When pressed back in, water turns off and outlet button aligns with control plate surface; flow setting remains intact
- 1/2" Universal NPT and direct sweat inlets and outlets
- Requires a single-function rainhead, handshower, and hose (sold separately)



Available Colors/Finishes

Color tiles intended for reference only.

- CP Polished Chrome
- SN Vibrant Polished Nickel
- AF Vibrant French Gold
- BN Vibrant Brushed Nickel
- BV Vibrant Brushed Bronze
- BL Matte Black
- 2MB Vibrant Brushed Moderne Brass
- TT Vibrant Titanium



1-800-4KOHLER (1-800-456-4537)

Kohler Co. reserves the right to make revisions without notice to product specifications.
For the most current specification sheet, go to www.kohler.com USA or www.kohler.ca Canada.
5-12-2026 19:44 - US-CA

THE BOLD LOOK
OF **KOHLER**

Codes/Standards

ASME A112.18.1/CSA B125.1
ASSE 1016/ASME A112.1016/CSA B125.16

Technical Information

All product dimensions are nominal.

Handle

Handle Style/ Type: Knob

Valves

Included Valve: Thermostatic

Shower Valve

Flow Rate Maximum @ 45 psi: 5 gpm (18.9 l/min)

Manufacturer's Minimum
Rated Flow: 1.3 gpm (4.9 l/min)

Pressure: 45 psi (3.1 bar)

Maximum Static Pressure: 125 psi (8.6 bar)

Minimum Operating Pressure: 20 psi (1.4 bar)

Material

- Premium material construction for durability and reliability
- KOHLER finishes resist corrosion and tarnishing

Recommended Products/Accessories

K-26282 Round three-function handshower, 2.5 gpm

K-26282-G Round three-function handshower, 1.75 gpm

K-26284 Oblong three-function handshower, 2.5 gpm

K-26284-G Oblong three-function handshower, 1.75 gpm

K-26294 Oblong 14" single-function rainhead, 2.5 gpm

K-9514 60" metal shower hose

Technology

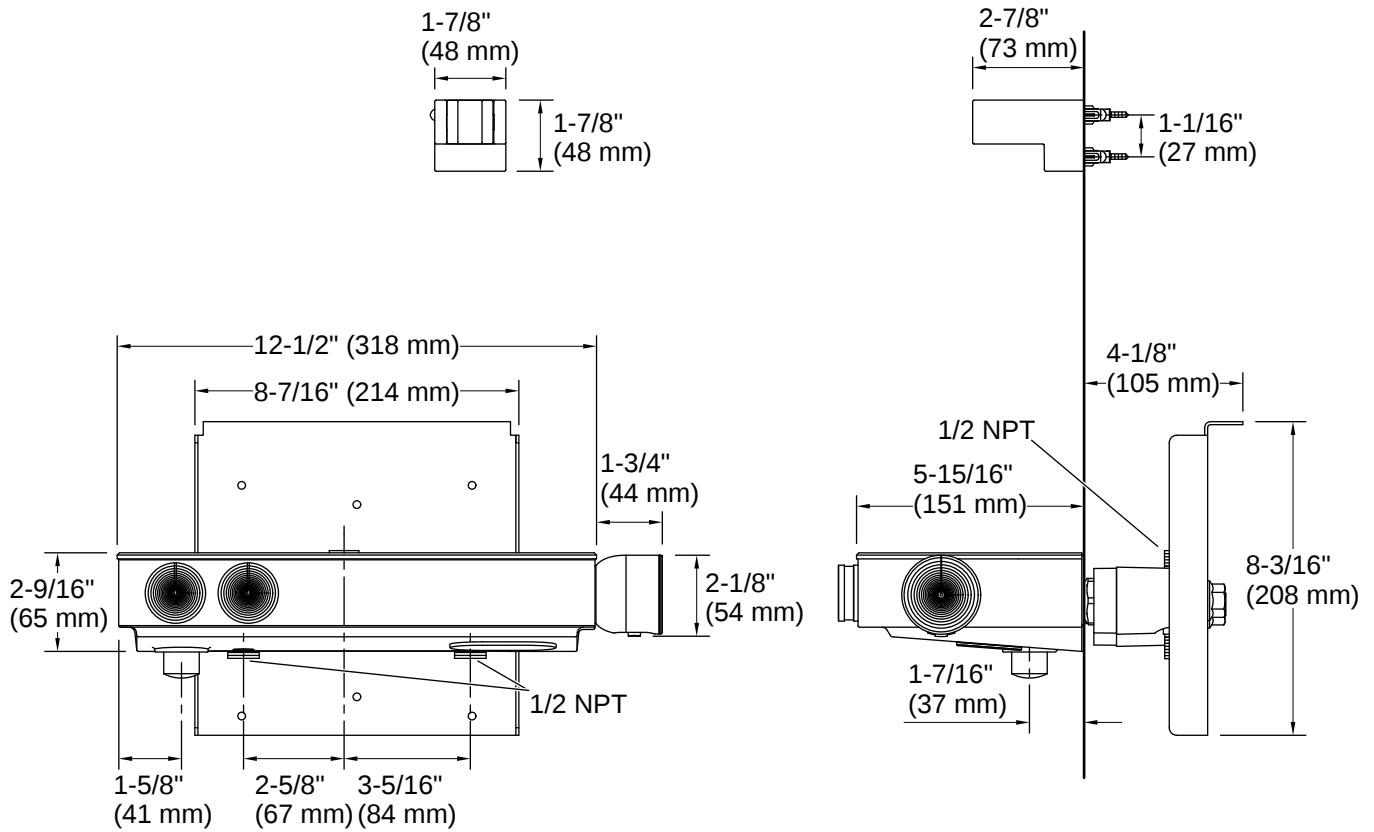
- Thermostatic technology automatically maintains outlet temperature within +/- 3.6°F (+/- 2°C) during water pressure fluctuations

Warranty

See website for detailed warranty information.

KOHLER® Faucet Lifetime Limited Warranty





Installation

- Valve is fully serviceable from control panel

Installation Notes

Install this product according to the installation instructions.

