

# KOHLER® Faucets

Two-port thermostatic valve w/ integral volume control

**Anthem™**

**K-26340**

## Features

- High-flow thermostatic mixing valve.
- Mechanically controlled thermostatic mixing valve maintains outlet temperature throughout shower experience.
- Up to 8 gpm (30.3 lpm) flow rate at 45 psi (3.1 bar) with maximum flow of 7 gpm (26.5 lpm) from one outlet.
- ¾" female NPT inlet connections.
- ½" female NPT outlets.
- Service stops with integral filters.
- Antiscald protection.
- Integrated adjustable high-temperature limit stop to control maximum water temperature.
- Adjustable comfort setting (preset at approximately 104°F).
- Conserve water by enabling built-in eco mode, which limits use to only one outlet at a time.

## Material

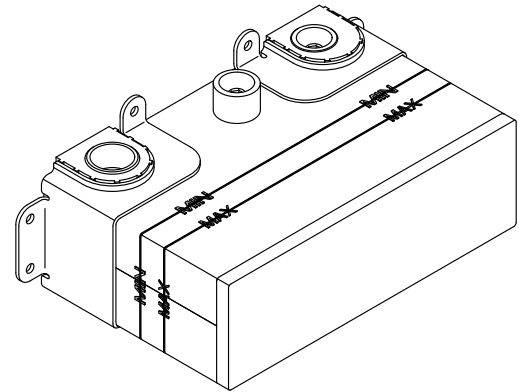
- Cast dezincification-resistant brass body provides long term reliability and resistance to aggressive water conditions.

## Installation

- Requires two-outlet thermostatic valve control panel trim with recessed push buttons (sold separately).
- Mounts within standard 2" x 4" (38 x 102 mm) walls.
- Fully-serviceable from the front of the valve.

## Required Products/Accessories

K-26346-9 Two-outlet thermostatic valve control panel



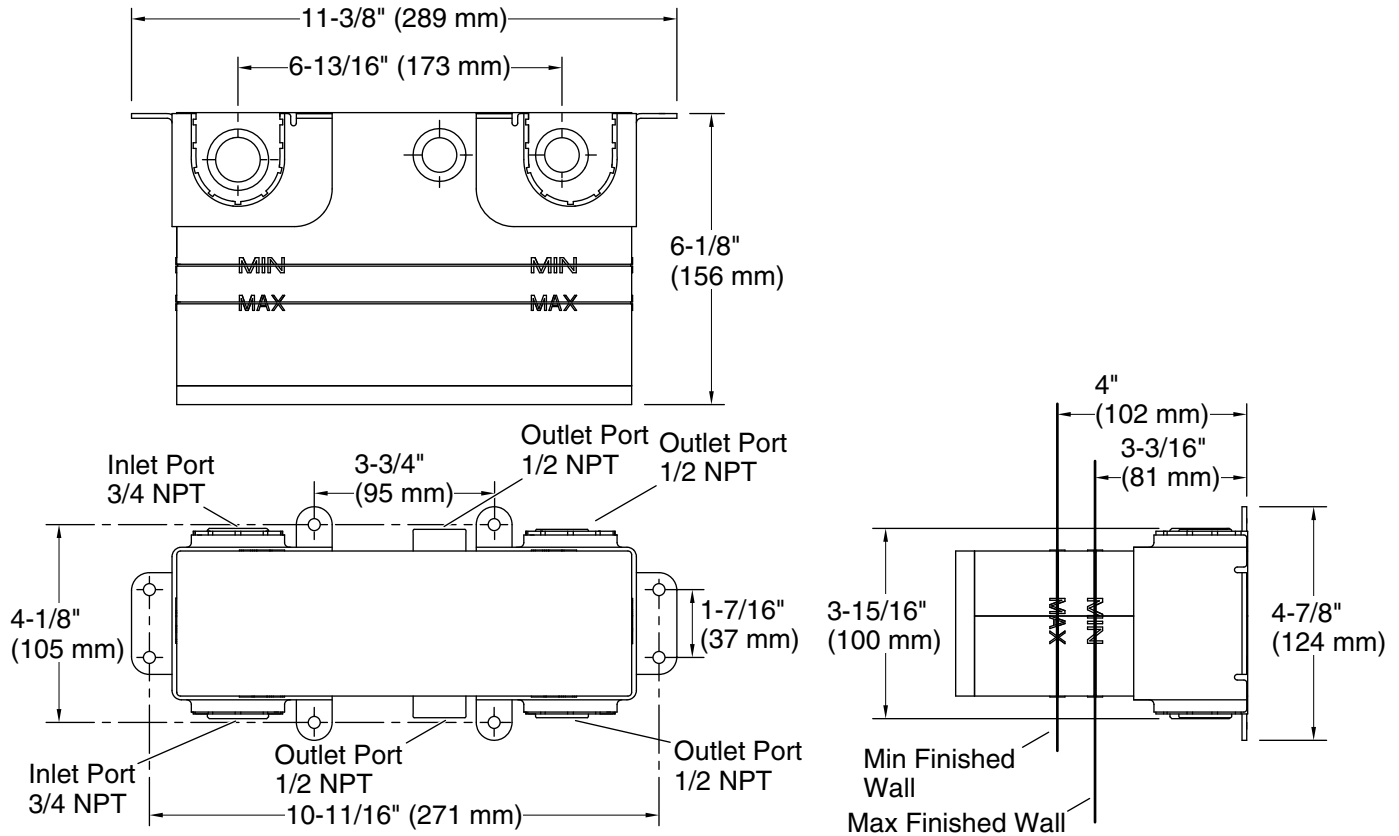
## Codes/Standards

ASME A112.18.1/CSA B125.1

ASSE 1016/ASME A112.1016/CSA B125.16

## KOHLER® One-Year Limited Warranty

See website for detailed warranty information.



### Technical Information

All product dimensions are nominal.

Valve body: Cast brass