

### Features

- 36" (914 mm) minimum base cabinet width.
- Single large bowl.
- 9" (229 mm) depth provides generous workspace.
- Rear drain increases workspace in the sink and storage space underneath.
- Tightly angled fabricated corners maximize bowl space.
- SilentShield® sound-absorption technology offers quieter performance.
- Integrated knife holder provides a convenient spot to dry or place your kitchen knives during food preparation.
- Custom-designed grated rack rests on sink bevel and functions as a drying rack or convenient shelf for rinsing and defrosting.
- Handcrafted walnut cutting board locks securely into rack for effortless cutting and chopping of ingredients.
- Dishwasher-safe sink rack helps protect the sink as well as fragile dishes.
- Box includes: Sink, walnut cutting board, knife holder, drying rack, bottom sink rack, cutout template, installation hardware.



### Codes/Standards

ASME A112.19.3/CSA B45.4

### KOHLER® Stainless Steel Sinks Lifetime Limited Warranty

See website for detailed warranty information.

### Material

- Handcrafted from 18-gauge stainless steel.

### Installation

- Undermount.

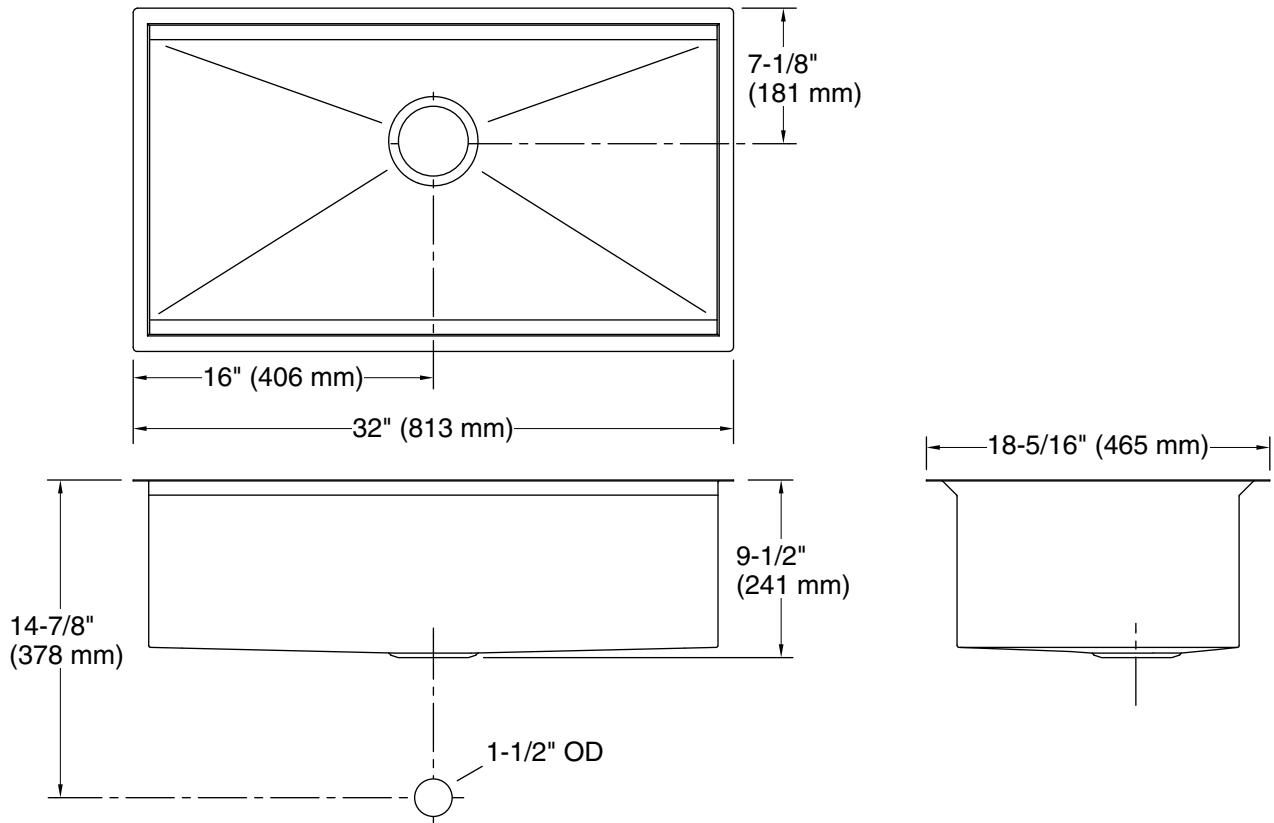
### Optional Products/Accessories

- K-11352 Disposal Flange with Stopper
- K-8801 Sink drain and strainer with tailpiece
- K-8799 Sink drain and strainer basket

### Included Components

Additional Components:

- 21616
- 28878
- 28879
- 5542



### Technical Information

All product dimensions are nominal.

|                     |  |
|---------------------|--|
| Bowl configuration: | Single   |
| Installation:       | Undermount   |
| Bowl area (Only):   | Length: 30-1/4" (768 mm)<br>Width: 14-15/16" (379 mm)<br>Bowl depth: 9-3/16" (233 mm)<br>Water depth: 9-3/16" (233 mm) |
| Drain hole:         | 3-3/4" (94 mm)   |
| Template:           | Undermount, 1207216-7, required, included  |

### Notes

Install this product according to the installation instructions.