



Composed® | K-123C36-SANA

Wall-mount touchless bathroom sink faucet with Kinesis® sensor technology, AC-powered

Features

- Kinesis® technology with concealed sensor allows for a clean aesthetic and provides extraordinarily accurate and reliable actuation in varying installation environments
- Below-counter valving reduces the faucet footprint and provides easier service
- Design-forward aesthetic for commercial bathroom spaces
- 0.5 gpm (1.9 lpm) maximum flow rate
- Requires single or multiple AC adapter unit (sold separately)
- On-demand usage with 30-second max. continual run cycle to prevent vandalism and save water
- Vandal-resistant aerated outlet
- 18" (457 mm) stainless steel braided flexible supply hose for easy installation
- Complies with the Safe Drinking Water Act (SDWA)



Available Colors/Finishes

Color tiles intended for reference only.

- CP Polished Chrome
- BN Vibrant Brushed Nickel
- BL Matte Black
- 2MB Vibrant Brushed Moderne Brass



Codes/Standards

ADA, OBC, CSA B651 compliant when installed to the specific requirements of these regulations.

ADA
CSA B651
OBC

ASME A112.18.1/CSA B125.1
 NSF/ANSI/CAN 372
 NSF/ANSI/CAN 61
 DOE - Energy Policy Act 1992
 California Energy Commission (CEC)
 ADA
 ICC/ANSI A117.1
 CSA B651
 OBC

Technical Information

All product dimensions are nominal.

Spout

Spout Reach: 8-9/16" (217 mm)

Flow Rate

Faucet Flow Rate: 0.5 gpm (1.9 l/min)

Valves

Included Valves: Thermostatic Mixer, Volume Control

Material

- Brass spout
- Cast brass valve

Recommended Products/Accessories

K-23726 Drain treatment

K-23723 Faucet cleaner

Required Products/Accessories

- K-13480-A AC single supply, North American outlets
- or
- K-13481-A Multi-outlet power supply, North American outlets

Required Electrical Service

One circuit required, protected with Class A Ground-Fault Circuit-Interrupter (GFCI). Outside North America, this device may be known as a Residual Current Device (RCD).

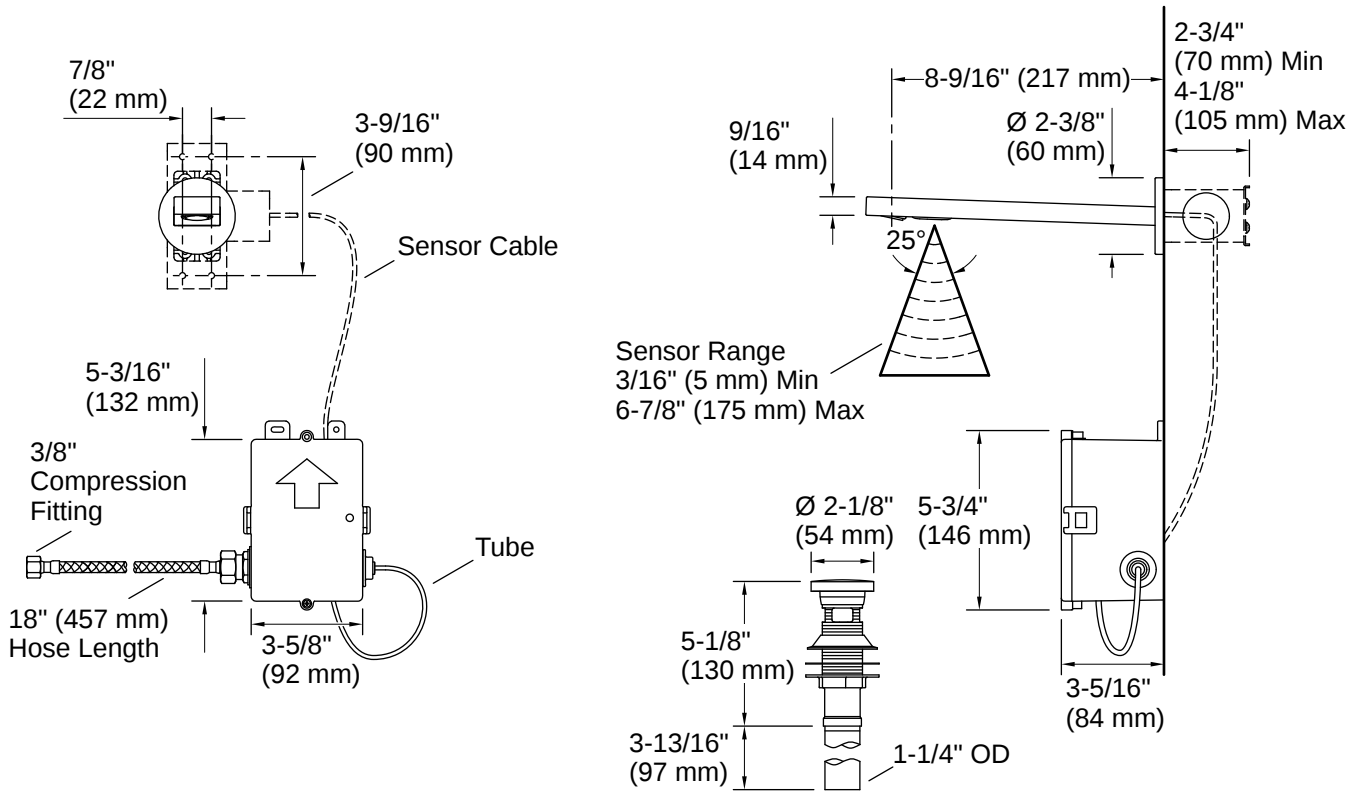
120/240 V, 50/60 Hz

Warranty

See website for detailed warranty information.

KOHLER® One-Year Limited Warranty





Installation

- Wall-mount

Installation Notes

Install this product according to the installation instructions.

ADA, OBC, CSA B651 compliant when installed to the specific requirements of these regulations.

