

KOHLER®

Avoir®
One-piece elongated toilet with skirted trapway, 1.28
gpf
K-46006

Features

- One-piece toilets integrate the tank and bowl into a seamless, easy-to-clean design
- Compact elongated bowl offers added comfort while occupying the same space as a round-front bowl
- Comfort Height® feature offers chair-height seating that makes sitting down and standing up easier for most adults
- 1.28 gpf (4.8 lpf)
- 12" x 9-1/2" (305 mm x 241 mm) water surface
- Concealed trapway facilitates easy cleaning and enhances design

Installation

- Floor-mount
- Standard 12" (305 mm) rough-in



Codes/Standards

ASME A112.19.2/CSA B45.1
DOE - Energy Policy Act 1992
EPA WaterSense®
California Energy Commission (CEC)
IAPMO Certification

KOHLER® One-Year Limited Warranty

See website for detailed warranty information.

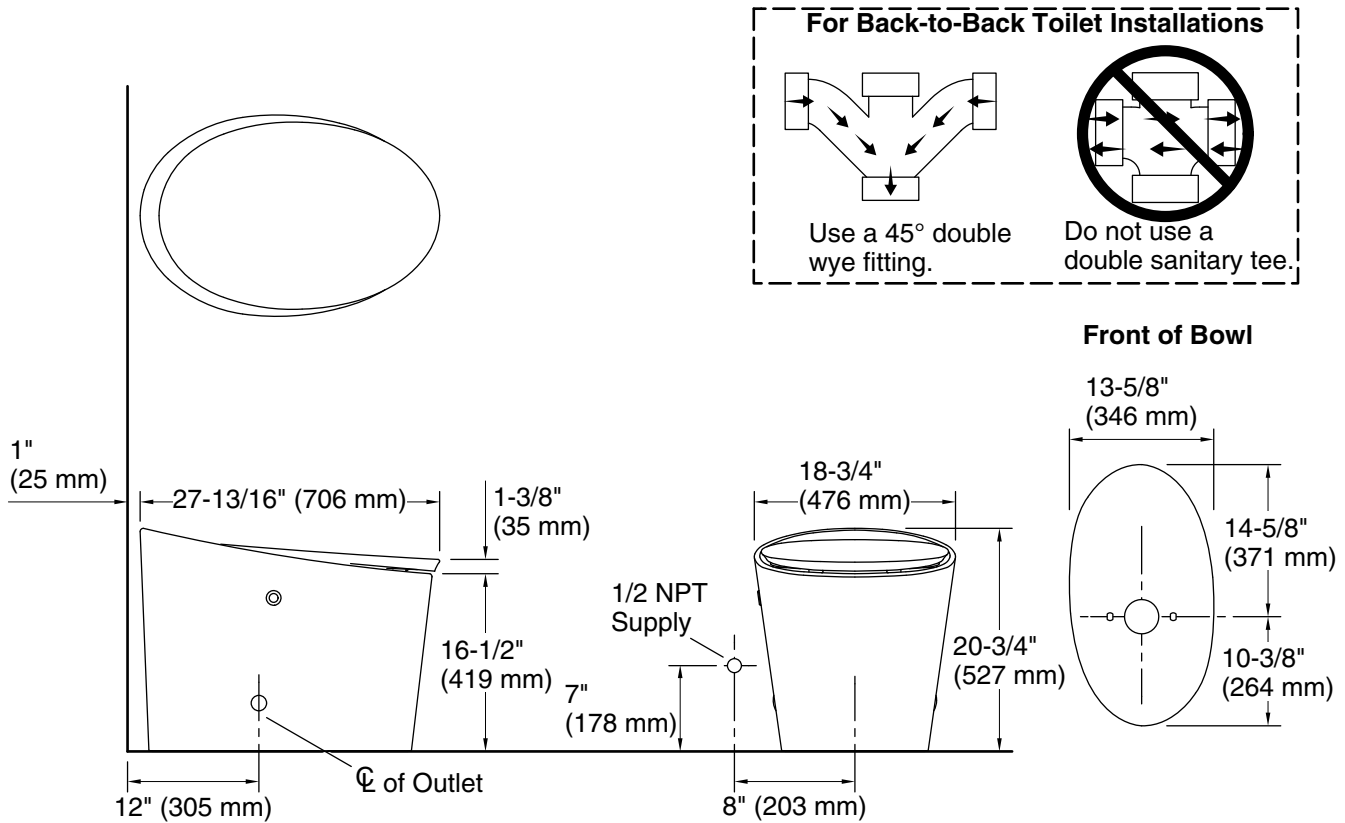
1-800-4KOHLER (1-800-456-4537)

Kohler Co. reserves the right to make revisions without notice to product specifications.

For the most current Specification Sheet, go to www.kohler.com USA or www.kohler.ca Canada

8-26-2024 21:44 - US/CA

THE BOLD LOOK
OF **KOHLER®**



Technical Information

All product dimensions are nominal.

Toilet type:	Floor-mount
Waste Outlet:	Floor
Bowl shape:	Elongated
Flush type:	Pressure Lite
Trap passageway:	1-15/16" (49 mm)
Water surface size:	11-1/2" x 10-3/16" (293 mm x 258 mm)
Rim to water surface:	5-1/4" (134 mm)
Rough-in:	12" (305 mm)

Fixture Supply Requirements

Min static pressure:	50 psi (344.7 kPa)
Max static pressure:	80 psi (551.6 kPa)
Min flow rate:	6.5 gpm (24.6 lpm)

Notes

Install this product according to the installation instructions.

For back-to-back toilet installations: Use only a 45° double wye fitting.