



# Avoir™ Comfort Height®

One-piece elongated 1.28 gpf chair height toilet  
K-46006

## Features

- One-piece toilets integrate the tank and bowl into a seamless, easy-to-clean design.
- Compact elongated bowl offers added comfort while occupying the same space as a round-front bowl.
- Comfort Height® feature offers chair-height seating that makes sitting down and standing up easier for most adults.
- 1.28 gpf (4.8 lpf).
- 12" x 9-1/2" (305 mm x 241 mm) water surface.
- Concealed trapway facilitates easy cleaning and enhances design.

## Material

- Vitreous china.

## Installation

- Floor-mount.
- Standard 12" (305 mm) rough-in.



## Codes/Standards

ASME A112.19.2/CSA B45.1  
DOE - Energy Policy Act 1992  
EPA WaterSense®  
California Energy Commission (CEC)


## KOHLER® One-Year Limited Warranty

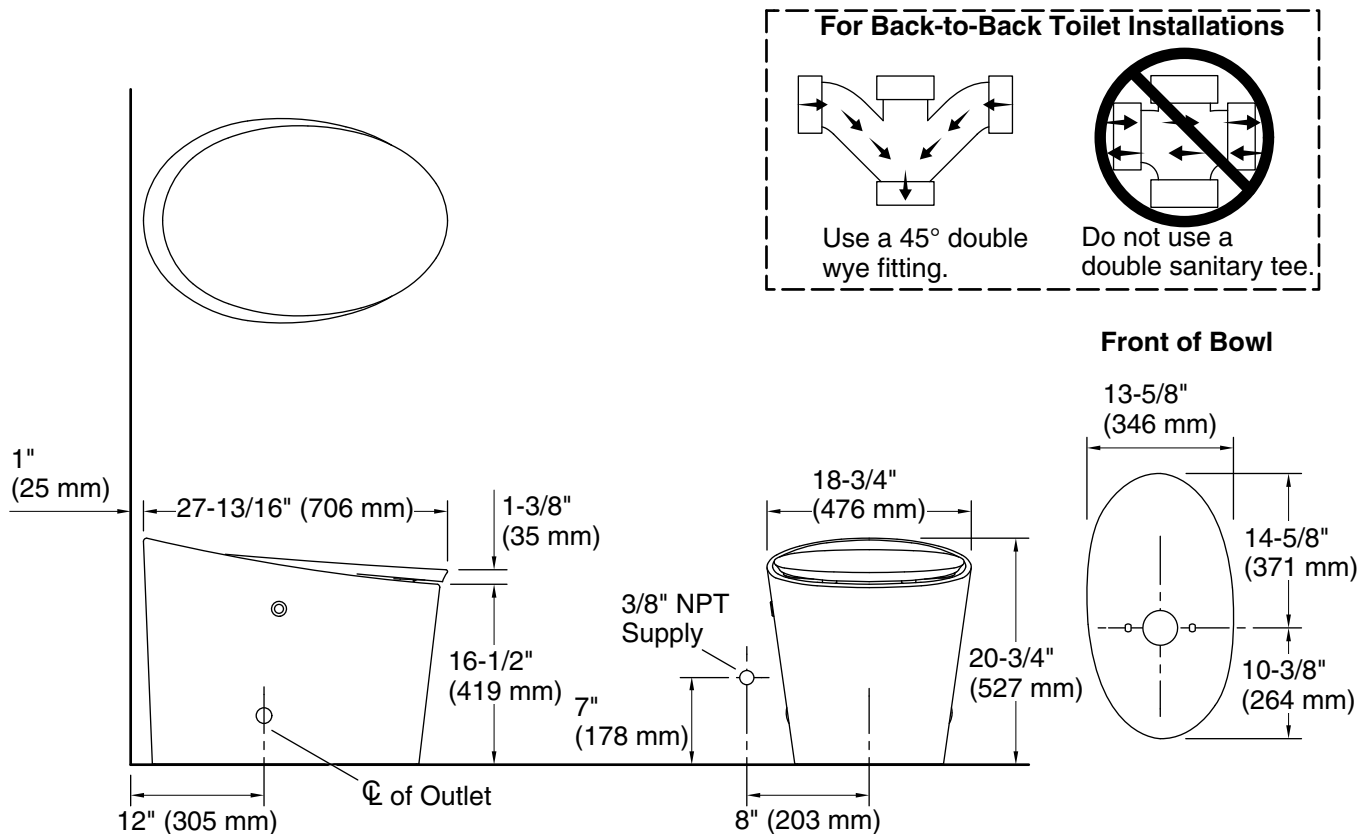
See website for detailed warranty information.

## Available Colors/Finishes

*Color tiles intended for reference only.*

Color	Code	Description
-------	------	-------------

	0	White
---	---	-------



### Technical Information

All product dimensions are nominal.

Toilet type:	Floor-mount
Waste Outlet:	Floor
Bowl shape:	Elongated
Flush type:	Pressure Assisted
Trap passageway:	1-15/16" (49 mm)
Water Consumption	
Full:	1.28 gpf (4.8 lpf)
Water surface size:	11-1/2" x 10-3/16" (293 mm x 258 mm)
Rim to water surface:	5-1/4" (134 mm)
Rough-in:	12" (305 mm)

### Fixture Supply Requirements

Min static pressure:	50 psi (344.7 kPa)
Max static pressure:	80 psi (551.6 kPa)
Min flow rate:	6.5 gpm (24.6 lpm)

### Notes

Install this product according to the installation instructions.

For back-to-back toilet installations: Use only a 45° double wye fitting.