

Features

- Three-stage filtration system with KOHLER Konnect® voice activation technology lets you know your water usage and filter life
- Reduces over 95% of perfluorooctanoic acid (PFOA) and perfluorooctane sulfonate (PFOS) in drinking water
- Ultra-filter membrane technology reduces bacteria and virus in the water
- Reduces contaminants such as bacteria, virus, lead, mercury, chlorine, select pharmaceuticals, VOC's and more
- AC-powered operation—no batteries to replace (requires AC power outlet)
- Provides up to 792 gallons, or the equivalent of over 5,800 16.9 fl oz bottles of water (results may vary based on water pressure, temperature and incoming water quality)
- 0.65 gpm (2.46 l/min) maximum flow rate at 60 psi (4.14 bar)
- Filter head automatically turns off the water supply when cartridge is removed
- Recommended for use with beverage faucets, such as Wellspring®
- Innovative sensor monitors water usage and displays that information on the KOHLER Konnect® app

Material

- High-impact plastic construction

Installation

- For cold water use only
- Under-sink
- Quarter-turn twist cartridge for easy installation and replacement
- Three-cartridge system includes two coconut shell-based carbon filters and an ultra-filter
- *KOHLER Konnect® app pairs with Amazon Alexa and Google Home
- Google, Google Home and Google Play are trademarks of Google LLC

Included Components

- K-21372 Carbon block CTO replacement filter
- K-21373 Carbon block VOC replacement filter
- K-21374 Ultra-filter replacement filter

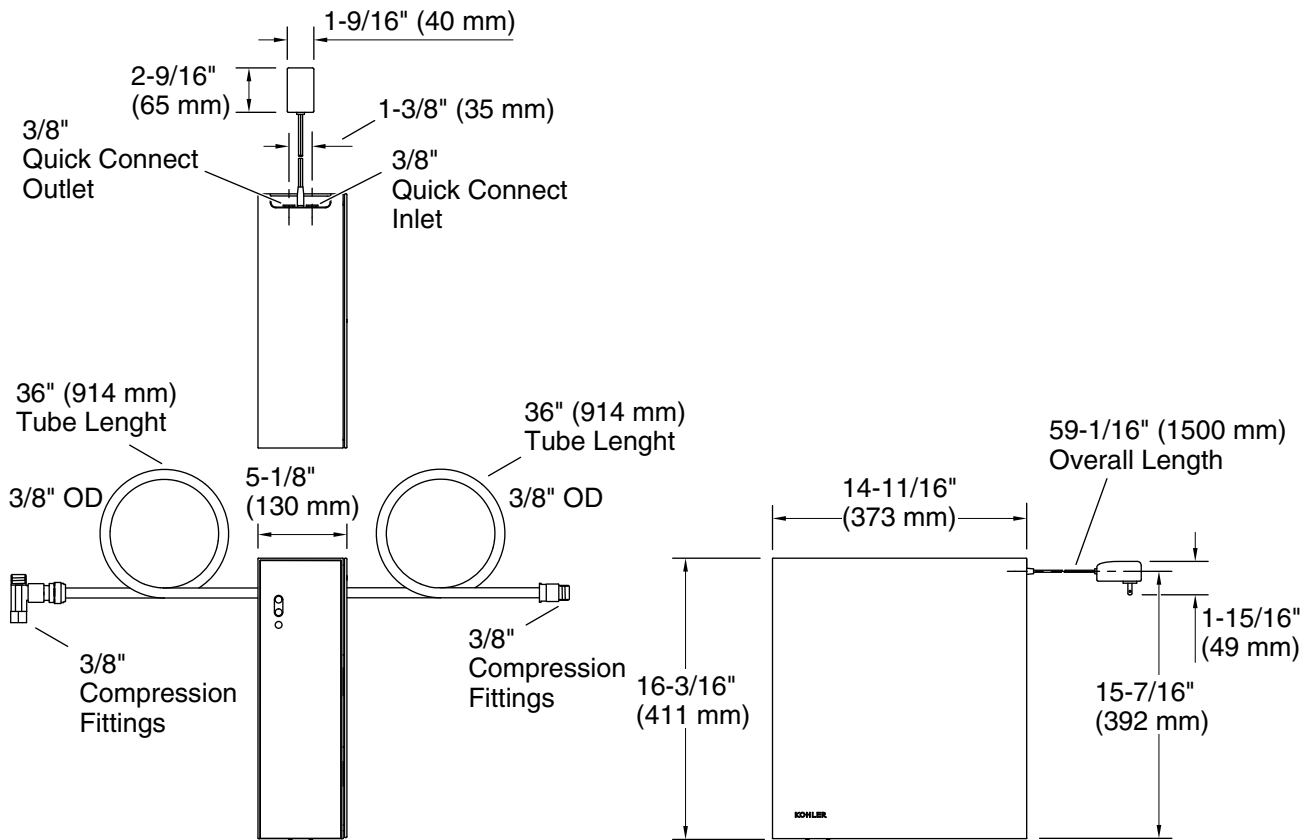


Codes/Standards

CSA B483.1
NSF/ANSI 42
NSF/ANSI 53
NSF/ANSI 401
NSF Protocol P231

KOHLER® One-Year Limited Warranty

See website for detailed warranty information.



Technical Information

All product dimensions are nominal.

Faucet:

Flow rate: 0.65 gal/min (2.5 l/min)
 Pressure: 60 psi (4.1 bar)
 Drain included: No

Notes

Install this product according to the installation instructions.

To prevent the risk of property damage, protect from freezing.

For cold water use only.

To ensure the filter continues to reduce contaminants effectively, it is recommended that the filter gets replaced every 6 months.