



Memoirs® | K-1418-JHC

72" x 42" drop-in whirlpool bath

Features

- Eight Proflex® hydromassage jets can be individually adjusted for water flow and direction
- Built-in heater
- Comfort Depth® design offers a convenient 19" step-over height while retaining the same depth as a standard 21" bath
- Spacious design accommodates up to two bathers
- Integral lumbar support
- Multiple pump location options give you more choices for installation and access
- Coordinates with other products in the Memoirs collection



Available Colors/Finishes

Color tiles intended for reference only.

- 0 White
- 96 Biscuit
- 47 Almond



1-800-4KOHLER (1-800-456-4537)
Kohler Co. reserves the right to make revisions without notice to product specifications.
For the most current specification sheet, go to www.kohler.com USA or www.kohler.ca Canada.
4-15-2026 5:44 - US-CA

THE BOLD LOOK
OF **KOHLER**

Codes/Standards

ASME A112.19.7/CSA B45.10
 CSA B45.5/IAPMO Z124
 ASTM E162
 ASTM E662
 UL 1795
 CSA C22.2 No. 218.2
 cUL Listed
 UL Listed

Technical Information

All product dimensions are nominal.

Drain Location:	Center
Drain Hole Diameter:	2-1/4" (57 mm)
Minimum Flat for Door:	3-13/16" (97 mm)
Basin Area, Bottom:	48" x 27" (1219 mm x 686 mm)
Basin Area, Top:	60" x 30" (1524 mm x 762 mm)
Water Depth:	16" (406 mm)
Water Capacity:	94 gal (355.8 L)
Minimum Floor Load:	45 lbs/ft ²
Weight:	135 lbs (61.2 kg)
Cutout:	Drop-in, 70-1/2" x 40-1/2" (1791 mm x 1029 mm)

Material

- Acrylic

Recommended Products/Accessories

K-1491 Bath/whirlpool pillow, removable
 K-1601 Bath/whirlpool footstop, removable

Required Products/Accessories

- 1015255 Jet Trim Kit
- or
- K-T37392 Rotary-turn bath drain trim
 - K-T37391 Rotary-turn bath drain trim
- or
- K-78439 45" cable bath drain
 - K-37385 Rough-in cable drain, PVC, 45" cable, less horizontal tube

Technology

- Whirlpool jets recirculate water, providing targeted relief for the bather

Required Electrical Service

Two dedicated circuits required, protected with Class A Ground-Fault Circuit-Interrupter (GFCI). Outside North America, this device may be known as a Residual Current Device (RCD).

Pump:	120 V, 15 A, 60 Hz
Heater:	120 V, 15 A, 60 Hz

Electrical Component Ratings

Pump:	120 V, 7 A, 60 Hz
Number of Speeds:	Variable
Heater:	120 V, 12 A, 60 Hz

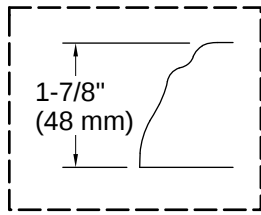
Warranty

See website for detailed warranty information.

KOHLER® Plastic Baths and Shower Bases Lifetime Limited Warranty|KOHLER® Hydrotherapy Components Five-Year Limited Warranty

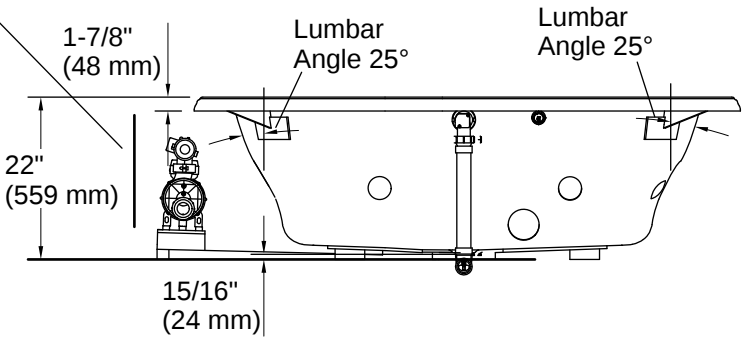
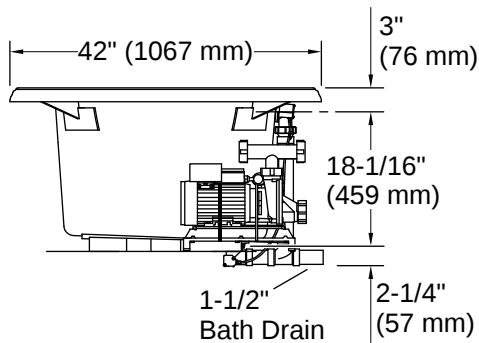
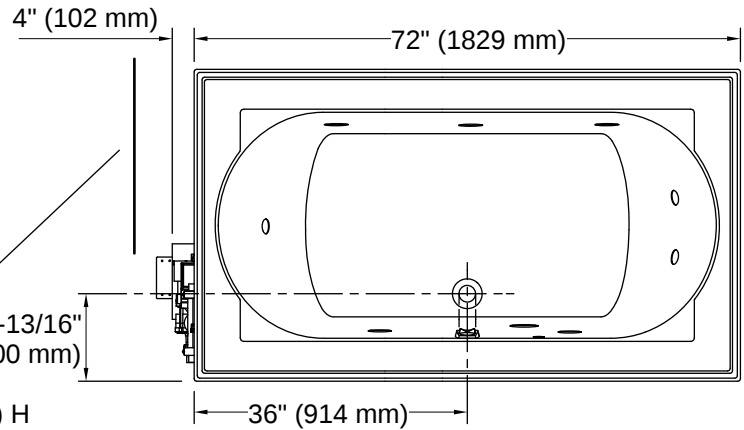


No change in measurements if connected with drain illustrated. (K-7161-AF)



Drop-in Rim Detail

Blower Control Access
34" (864 mm) W x 15" (381 mm) H



Installation

- Drop-in
- Rear center drain

Installation Notes

Install this product according to the installation instructions.

Measure your actual product for rough-in details.

The hot water supply should be 70% of the capacity of the bath or greater. Installations will vary.

