



Entity® | K-26109-LA

60" x 30" alcove bath, left drain

Features

- Low step-over height allows easy entry and exit
- Integral lumbar support
- Round overflow
- Integral apron creates a clean, finished look
- Integral flange helps prevent water from seeping behind wall and simplifies alcove installation
- Textured bottom surface



Available Colors/Finishes

Color tiles intended for reference only.

■ 0 White



1-800-4KOHLER (1-800-456-4537)
Kohler Co. reserves the right to make revisions without notice to product specifications.
For the most current specification sheet, go to www.kohler.com USA or www.kohler.ca Canada.
4-15-2026 5:39 - US-CA

THE BOLD LOOK
OF **KOHLER**®

Codes/Standards

ADA compliant when installed to the specific requirements of these regulations.

ADA

CSA B45.5/IAPMO Z124
 ASTM E162
 ASTM E662
 ADA
 ICC/ANSI A117.1

Technical Information

All product dimensions are nominal.

Drain Location:	Left
Drain Hole Diameter:	2-1/4" (57 mm)
Minimum Flat for Door:	2-15/16" (74 mm)
Basin Area, Bottom:	45-1/8" x 20-5/8" (1146 mm x 523 mm)
Basin Area, Top:	53" x 24-5/8" (1346 mm x 625 mm)
Water Depth:	9" (229 mm)
Water Capacity:	38 gal (143.8 L)
Minimum Floor Load:	36 lbs/ft ²
Weight:	66 lbs (29.9 kg)

Material

- Acrylic

Recommended Products/Accessories

- K-23726 Drain treatment
- K-23732 Tub & shower cleaner
- K-7213 Cable bath drain with PVC tubing

Warranty

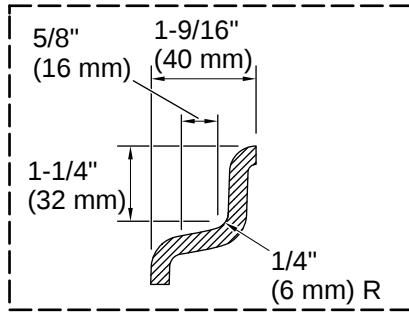
See website for detailed warranty information.

KOHLER® Plastic Baths and Shower Bases Lifetime Limited Warranty

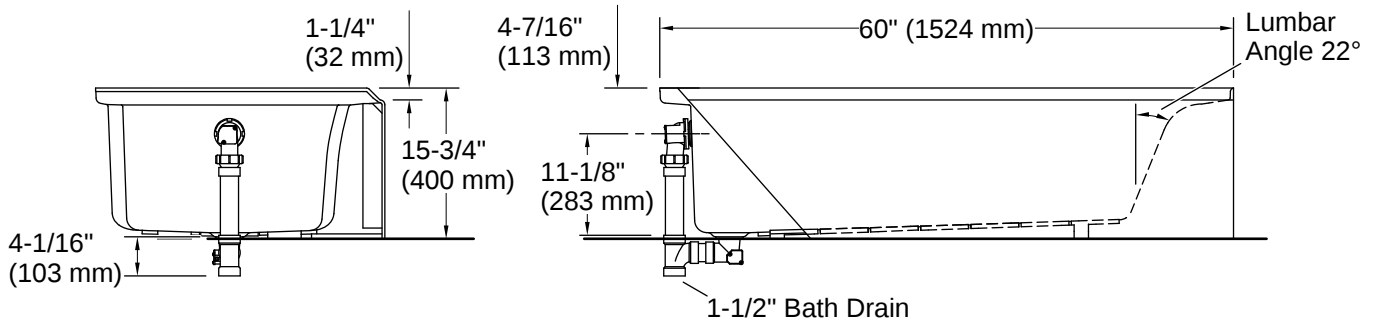
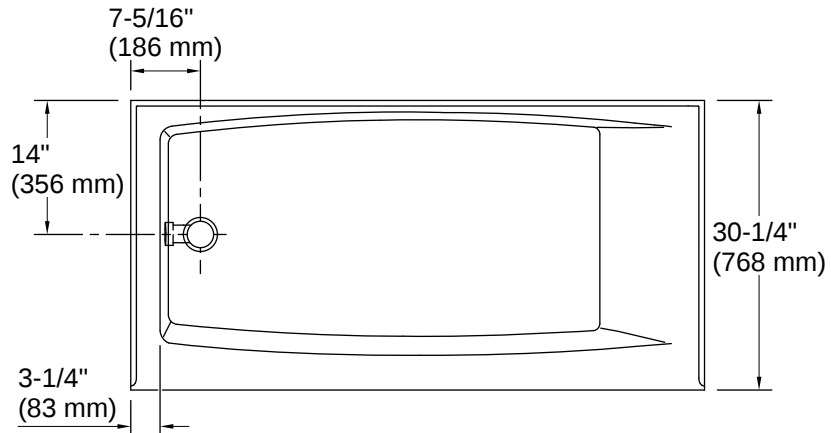


1-800-4KOHLER (1-800-456-4537)
 Kohler Co. reserves the right to make revisions without notice to product specifications.
 For the most current specification sheet, go to www.kohler.com USA or www.kohler.ca Canada.
 4-15-2026 5:39 - US-CA

No change in measurements if connected with drain illustrated. (K-7213)



Integral Flange Detail



Installation

- Left drain
- Alcove

Installation Notes

Install this product according to the installation instructions.

Measure your actual product for rough-in details.

The hot water supply should be 70% of the capacity of the bath or greater. Installations will vary.

ADA compliant when installed to the specific requirements of these regulations.

