

## Alteo® | K-TS45106-4G

Rite-Temp® shower trim kit, 1.75 gpm

### Features

- Pressure-balancing diaphragm technology maintains outlet temperature within +/-3°F during water pressure fluctuations
- Antiscald protection
- A single handle controls both on/off activation and temperature setting
- Includes faceplate with ADA-compliant metal lever handle
- Single-function 1.75 gpm (6.6 lpm) showerhead with Katalyst® air-induction technology
- MasterClean™ sprayface features an easy-to-clean surface that withstands mineral buildup and maximizes spray performance
- Coordinates with Alteo faucets, accessories, and showering components to complete your bathroom



### Sustainability



1-800-4KOHLER (1-800-456-4537)

Kohler Co. reserves the right to make revisions without notice to product specifications.  
For the most current specification sheet, go to [www.kohler.com](http://www.kohler.com) USA or [www.kohler.ca](http://www.kohler.ca) Canada.  
4-15-2026 5:38 - US-CA

## Codes/Standards



ASME A112.18.1/CSA B125.1  
DOE - Energy Policy Act 1992  
EPA WaterSense®  
California Energy Commission (CEC)

## Warranty

See website for detailed warranty information.

KOHLER® Faucet Lifetime Limited Warranty

## Technical Information

All product dimensions are nominal.

### Handle

Handle Style/ Type: Lever

### Flow Rate

Shower/Rainhead Rated 1.75 gpm (6.6 l/min)

Maximum Flow:

Handshower Rated Maximum 1.75 gpm (6.6 l/min)

Flow:

## Valves

Required Valve: Pressure Balance

## Material

- Premium material construction with metal handle ensures reliability and durability
- KOHLER finishes resist corrosion and tarnishing

## Required Products/Accessories

- K-8304 Series Rite-Temp® Valve & Cartridge Kits

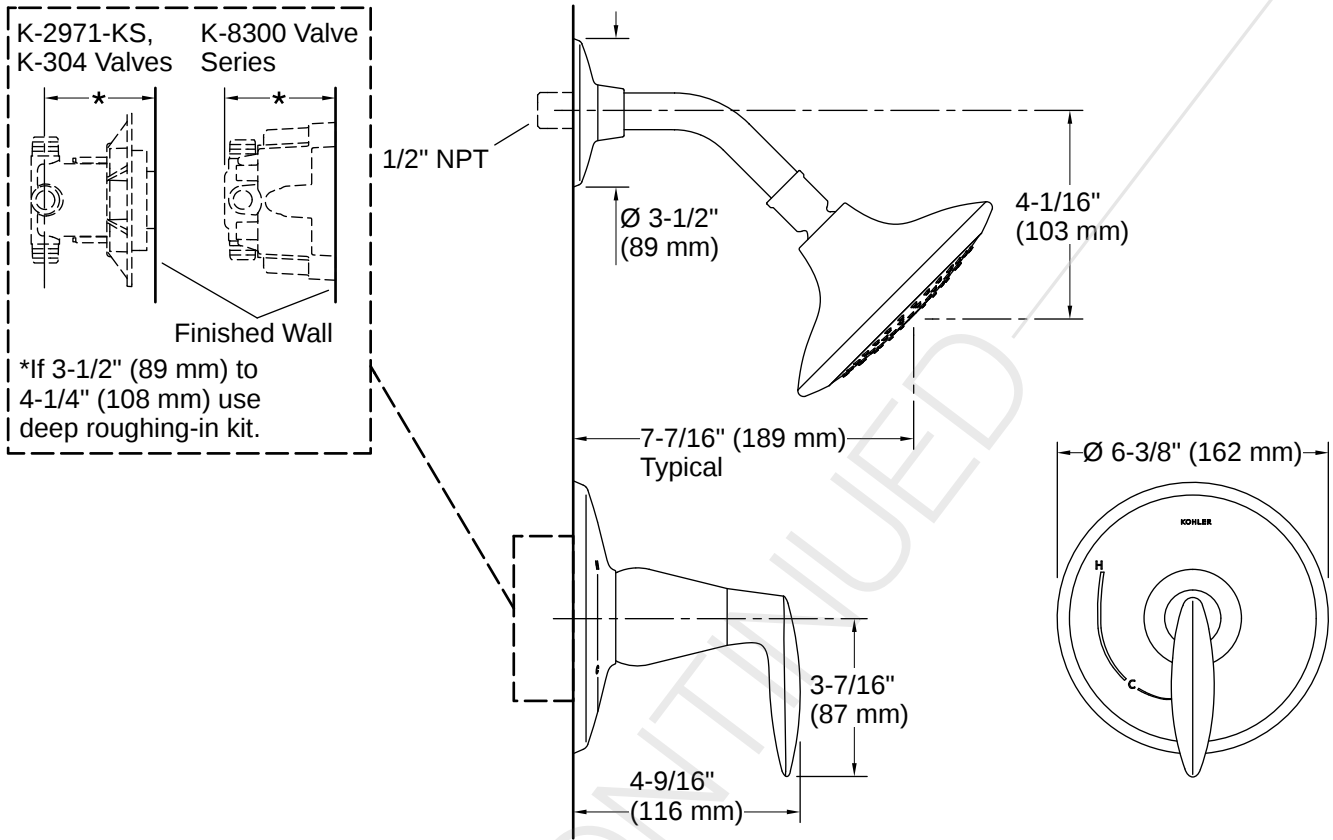
or

- K-8300 Series Rite-Temp® Valve Body Rough-ins
- K-8305 Series Rite-Temp® Cartridges

or

- K-8300 Series Rite-Temp® Valve Body Rough-ins (QTY 2)
- K-8305 Series Rite-Temp® Cartridges





## Installation

- Trim only; requires valve to complete installation (sold separately)

## Installation Notes

*Install this product according to the installation instructions.*

For use with automatic compensating valves rated at 1.6 gal/min (6.1 l/min) or less.

NOTICE: Risk of product damage. Long screws, for installing trim, can damage the K-2971-KS valve. Consult the trim installation guide to verify if the thin wall installation kit is needed.

