

Features

- Single Rocker handle allows for both volume and temperature control
- For use with Components K-77967, K-77965, K-77968, K-77966, or K-77969 spout (sold separately)
- Coordinates with Components faucets, accessories, and showering components to complete your bathroom
- KOHLER® ceramic disc valves exceed industry longevity standards for a lifetime of durable performance

Material

- Premium metal construction for durability and reliability
- KOHLER® finishes resist corrosion and tarnishing

Installation

- Single-hole mounting
- Remote valve installation allows flexibility for placement
- Preattached flexible supply lines simplify installation

Required Products/Accessories

- K-77965 Bathroom sink faucet spout with Tube design, 1.2 gpm
- or
- K-77966 Bathroom sink faucet spout with Ribbon design, 1.2 gpm
- or
- K-77967 Bathroom sink faucet spout with Tube design, 1.2 gpm
- or
- K-77968 Bathroom sink faucet spout with Ribbon design, 1.2 gpm
- or
- K-77969 Bathroom sink faucet spout with Row design, 1.2 gpm

Recommended Products/Accessories

- K-23887 Bathroom sink faucet spout with Row design, 1.2 gpm
- K-23723 Faucet cleaner



ADA CSA B651 OBC

Codes/Standards

ASME A112.18.1/CSA B125.1
 NSF/ANSI/CAN 61
 NSF/ANSI/CAN 372
 All applicable US Federal and State material regulations
 ADA
 ICC/ANSI A117.1
 CSA B651
 OBC
 IAPMO Certification

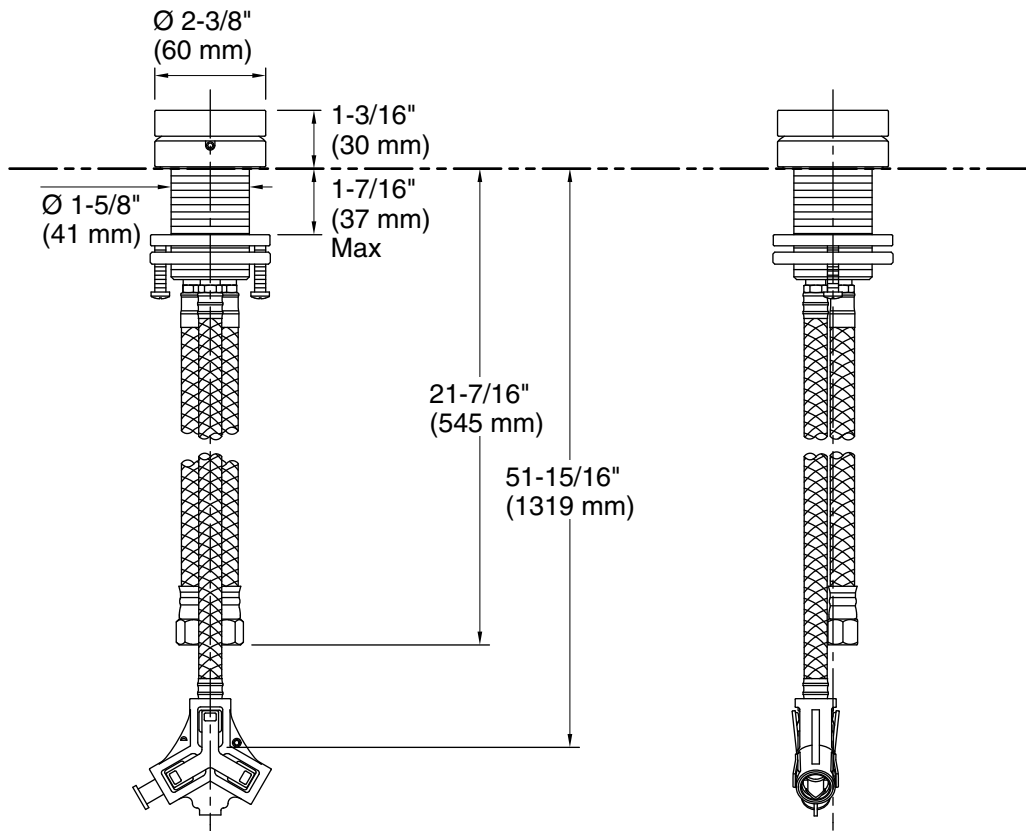
KOHLER® Faucet Lifetime Limited Warranty

See website for detailed warranty information.

Available Colors/Finishes

Color tiles intended for reference only.

Color	Code	Description
	CP	Polished Chrome
	BN	Vibrant® Brushed Nickel
	BL	Matte Black
	2MB	Vibrant® Brushed Moderne Brass
	TT	Vibrant Titanium



Technical Information

All product dimensions are nominal.

Drain included: No

Notes

Install this product according to the installation instructions.

ADA compliant for handles only.

ADA, OBC, CSA B651 compliant when installed to the specific requirements of these regulations.