



## 8-gallon compact stainless steel step can K-20942

### Features

- Short, compact design fits in height-constrained places.
- Fingerprint-proof finish stays cleaner longer.
- Hands-free operation with durable metal foot pedal.
- Raised liner and locking rim for easy bag changes.
- Quiet-close lid closes gently and silently.
- Space-saving profile fits snugly against wall or cabinets.
- Hinge design protects wall from scuffs.
- Removable plastic liner is easy to clean.
- For regular cleaning, use a damp microfiber cloth. Do not use cleaners or abrasives

### Material

- Available in stainless steel or black stainless steel.



### Codes/Standards

None Applicable

### KOHLER® Step Trash Can Ten-Year Limited Warranty

See website for detailed warranty information.

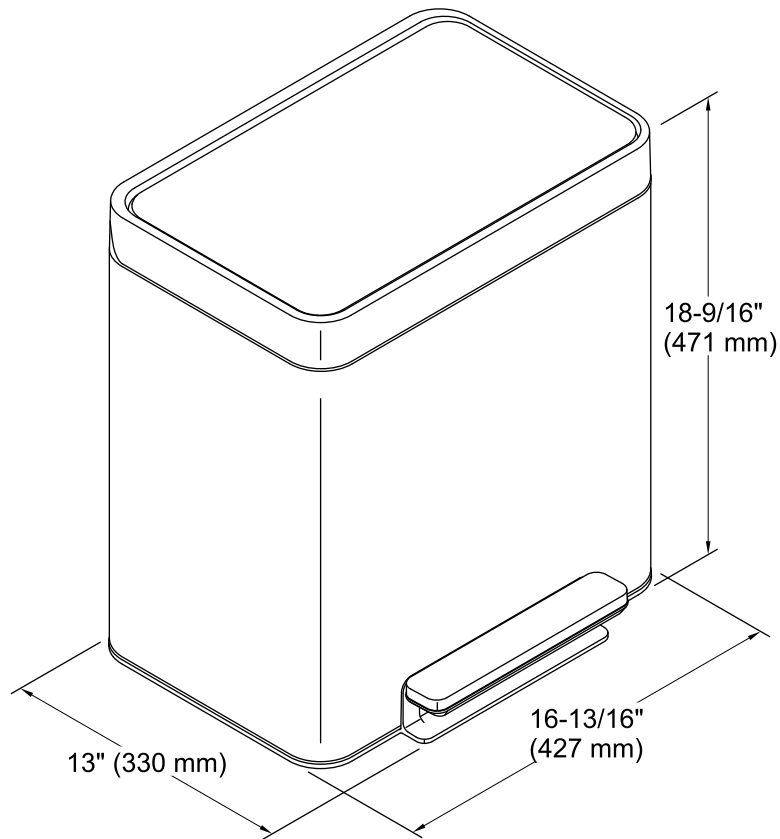
### Available Colors/Finishes

*Color tiles intended for reference only.*

Color	Code	Description
	ST	Stainless Steel
	BST	Black Stainless



8-gallon compact stainless steel step can  
**K-20942**



**Technical Information**

All product dimensions are nominal.