

## Features

- Freestanding design creates a striking focal point in your bathing area.
- Oval-shaped basin offers a graceful and spacious bathing experience.
- Sloped lumbar support on both ends.
- 16-inch bathing depth offers a deep soaking experience.
- Wide deck along one side simplifies installation and provides support for getting in and out of bath.
- Straight shroud.
- Textured bottom surface.
- Center drain.

## Material

- Acrylic

## Installation

- Freestanding

## Recommended Accessories

K-7265 Clearflo Bath Drain  
K-37383 30" Rough-in Cable Bath Drain  
K-37386 30" Rough-in Cable Bath Drain  
K-24916 Wireless Music Kit  
K-T37391 Bath Cable Drain Trim  
K-T37392 Bath Cable Drain Trim  
K-T37393 Bath Cable Drain Trim  
K-T37394 Bath Cable Drain Trim  
K-T37395 Bath Cable Drain Trim  
K-T37396 Bath Cable Drain Trim  
K-T37397 Cable Bath Drain Trim



## Codes/Standards

CSA B45.5/IAPMO Z124  
ASTM E162  
ASTM E662



## KOHLER® Plastic Baths and Receptors Lifetime Limited Warranty

See website for detailed warranty information.

## Available Color/Finishes

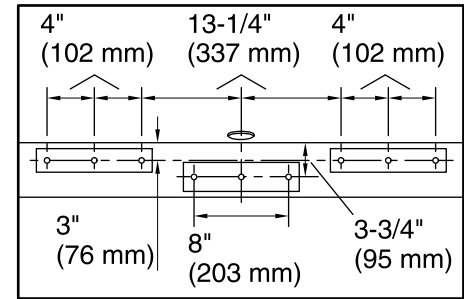
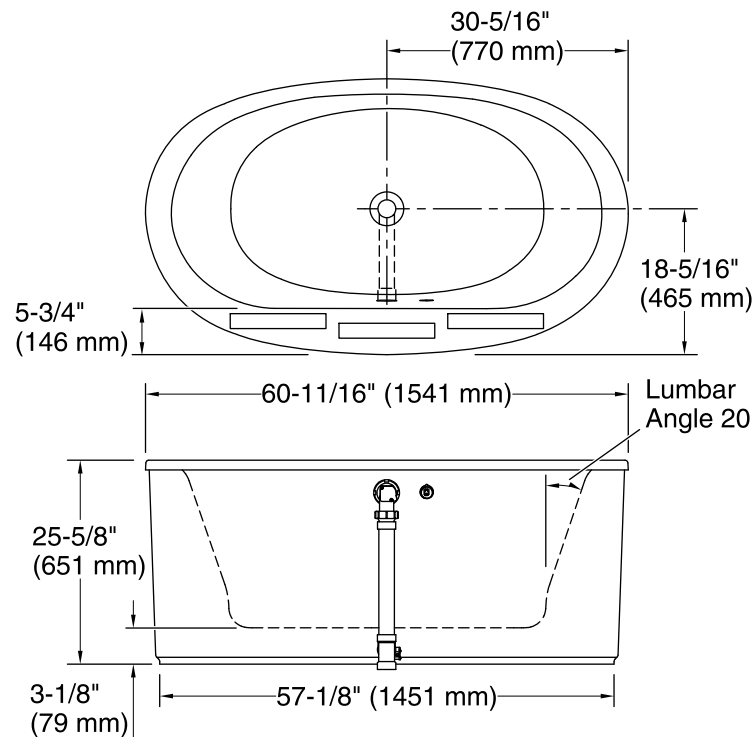
*Color tiles intended for reference only.*

Color	Code	Description
-------	------	-------------

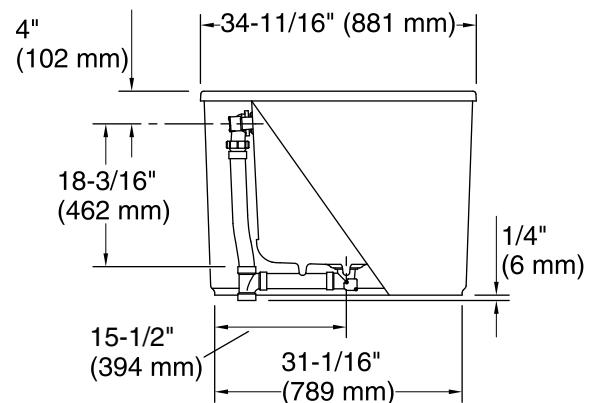
	0	White
	96	Biscuit

No change in measurements if connected with drain illustrated. (K-37386)

□ Recommended Faucet Location



**Recommended Faucet Hole Location**



### Technical Information

All product dimensions are nominal.

Installation:	Freestanding
Drain location:	Center
Basin area, bottom:	39-5/8" x 23-5/8" (1006 mm x 599 mm)
Basin area, top:	49-9/16" x 25-1/2" (1259 mm x 648 mm)
Weight:	120 lbs (54.4 kg)
Minimum floor load:	49.8 lbs/ft <sup>2</sup> (243.1 kg/m <sup>2</sup> )
Water depth:	16" (406 mm)
Water capacity:	60 gal (227.1 L)
Template:	Footprint, 1364287, not required, not included

### Notes

Measure your actual product for rough-in details.

Install this product according to the installation instructions.

The hot water supply should be 70% of the capacity of the bath or greater. Installations will vary.

### Features

- Metal construction.
- Adjustable handshower sprayface rotates to select wide-coverage or forceful utility spray options.
- MasterClean™ sprayface resists hard water buildup and easy to clean.
- Complete range of faucets, accessories and showering components to coordinate a full bathroom.

### Material

- KOHLER finishes resist corrosion and tarnishing.

### Required Products/Accessories

K-97339 Multiproduct Mounting-block



### Codes/Standards



ASME A112.18.1/CSA B125.1  
DOE - Energy Policy Act 1992  
EPA WaterSense®

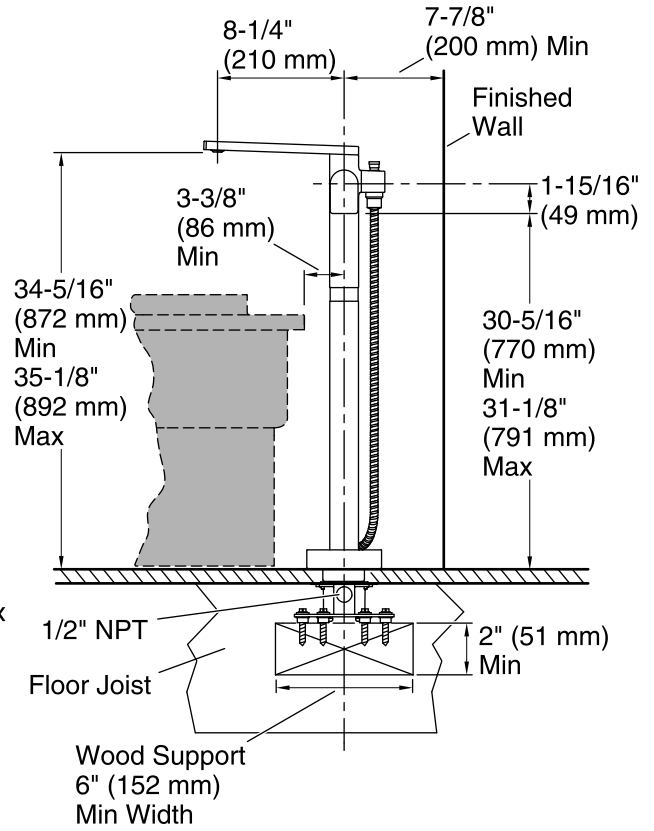
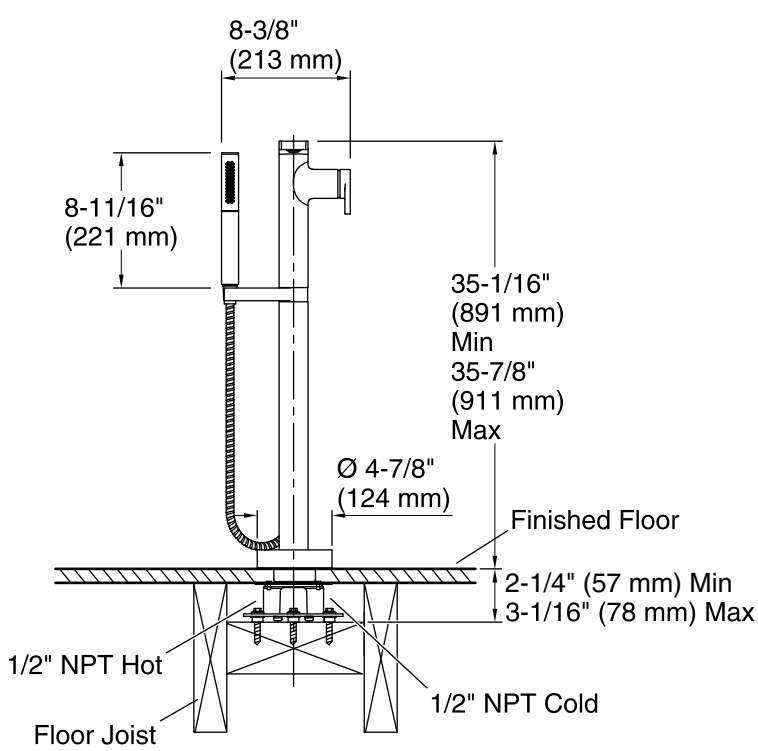
### KOHLER® Faucet Lifetime Limited Warranty

See website for detailed warranty information.

### Available Colors/Finishes

*Color tiles intended for reference only.*

Color	Code	Description
	CP	Polished Chrome
	TT	Titanium



### Technical Information

All product dimensions are nominal.

#### Faucet:

Flow rate: 7.5 gal/min (28.4 l/min)

Pressure: 45 psi (3.1 bar)

#### Spout:

Spout reach: 8-1/4" (210 mm)

Handle clearance: 1-15/16" (50 mm)

#### Handshower:

Rated maximum flow: 2 gal/min (7.6 l/min)

Pressure: 80 psi (5.5 bar)

### Notes

Install this product according to the installation guide.

Adequate floor space is required. The wood support must be a minimum of 2" (51 mm) thick by 6" (152 mm) wide. 2x6 lumber is NOT adequate for this application.

Concrete can be used as the floor support. Requires a 3/16" masonry drill bit and six 1/4" x 1-3/4" concrete screws, which are not included.