

Features

- Freestanding design creates a striking focal point in your bathing area.
- Integral lumbar support.
- Wide ledge on one side is ideal for deck-mount faucet and/or handshower.
- 16" soaking depth.
- Textured bottom surface.
- Center drain.
- 60-11/16" (1541 mm) x 33-13/16" (859 mm) x 25-5/16" (643 mm)

Material

- Acrylic

Installation

- Freestanding
- PureFlo drains are not recommended for a deck-mount faucet installation

Recommended Accessories

K-7265 Clearflo Bath Drain
K-37383 30" Rough-in Cable Bath Drain
K-37386 30" Rough-in Cable Bath Drain
K-24916 Wireless Music Kit
K-T37391 Bath Cable Drain Trim
K-T37392 Bath Cable Drain Trim
K-T37393 Bath Cable Drain Trim
K-T37394 Bath Cable Drain Trim
K-T37395 Bath Cable Drain Trim
K-T37396 Bath Cable Drain Trim
K-T37397 Cable Bath Drain Trim



Codes/Standards

CSA B45.5/IAPMO Z124
ASTM E162
ASTM E662



**KOHLER® Plastic Baths and Receptors
Lifetime Limited Warranty
KOHLER® Hydrotherapy Components
Five-Year Limited Warranty**

See website for detailed warranty information.

Available Color/Finishes

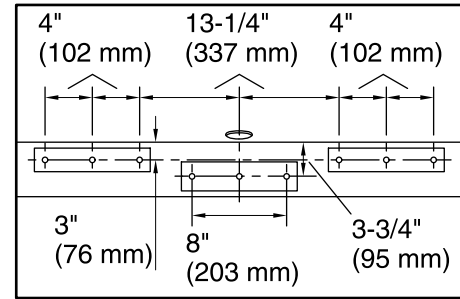
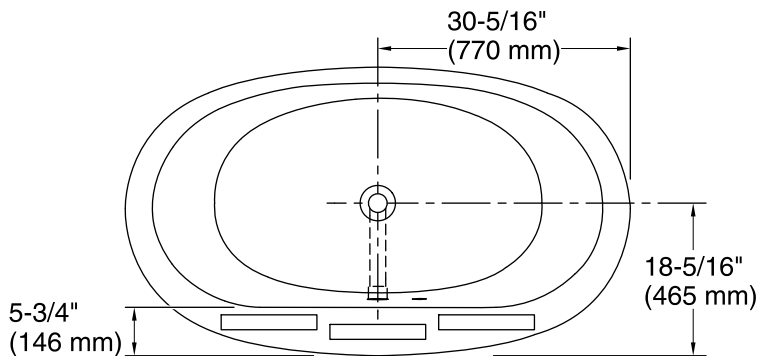
Color tiles intended for reference only.

Color Code Description

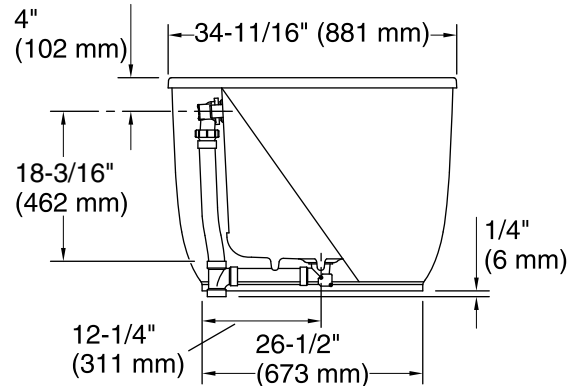
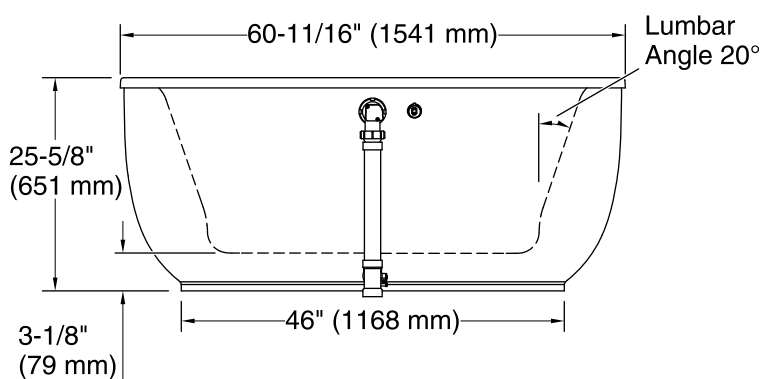
	0	White
	96	Biscuit

No change in measurements if connected with drain illustrated. (K-37386)

□ Recommended Faucet Location



Recommended Faucet Hole Location



Technical Information

All product dimensions are nominal.

Installation:	Freestanding
Drain location:	Center
Basin area, bottom:	39-5/8" x 23-5/8" (1006 mm x 599 mm)
Basin area, top:	49-9/16" x 25-1/2" (1259 mm x 648 mm)
Weight:	170 lbs (77.1 kg)
Minimum floor load:	49.8 lbs/ft ² (243.1 kg/m ²)
Water depth:	16" (406 mm)
Water capacity:	60 gal (227.1 L)
Template:	Footprint, 1364288, not required, not included

Notes

Measure your actual product for rough-in details.

Install this product according to the installation instructions.

The hot water supply should be 70% of the capacity of the bath or greater. Installations will vary.

Features

- Single lever handle allows for both on/off activation and temperature setting.
- Compatibility with tub varies by application.
- 7 gpm (gallons per minute) at 45 PSI.
- 1.75 gpm (gallons per minute) flow rate for handshower.
- Includes Shift® handshower and 60-inch shower hose.
- Coordinates with other products in the Margaux collection.

Material

- Premium metal construction.

Technology

- KOHLER ceramic disc valves exceed industry longevity standards for a lifetime of durable performance.

Installation

- Bath- or deck-mount.
- Floor-mount.

Required Products/Accessories

K-97339 Multiproduct Mounting-block

Included Components

Additional Components:

K-45203 Square Handshower



Codes/Standards

ASME A112.18.1/CSA B125.1

DOE - Energy Policy Act 1992

EPA WaterSense®

California Energy Commission (CEC)

KOHLER® Faucet Lifetime Limited Warranty

See website for detailed warranty information.

Available Colors/Finishes

Color tiles intended for reference only.

Color	Code	Description
-------	------	-------------



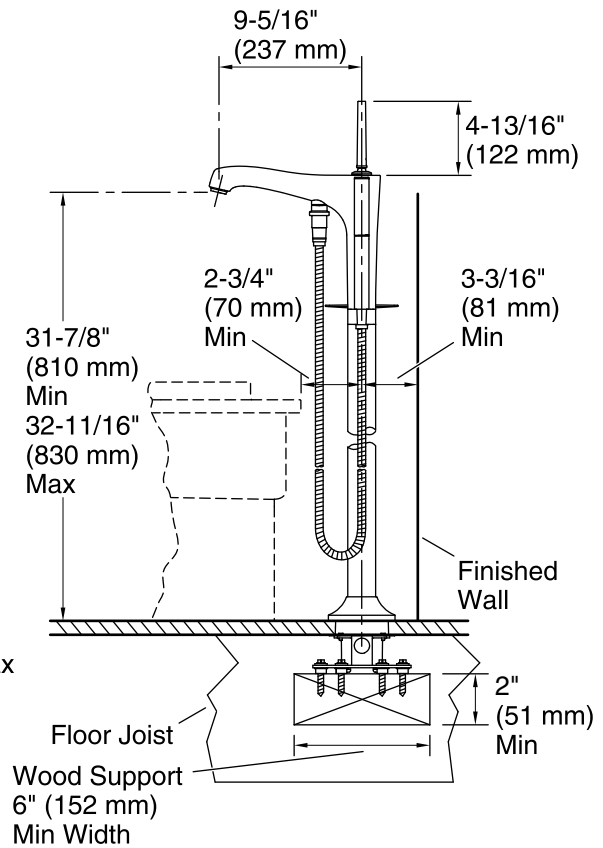
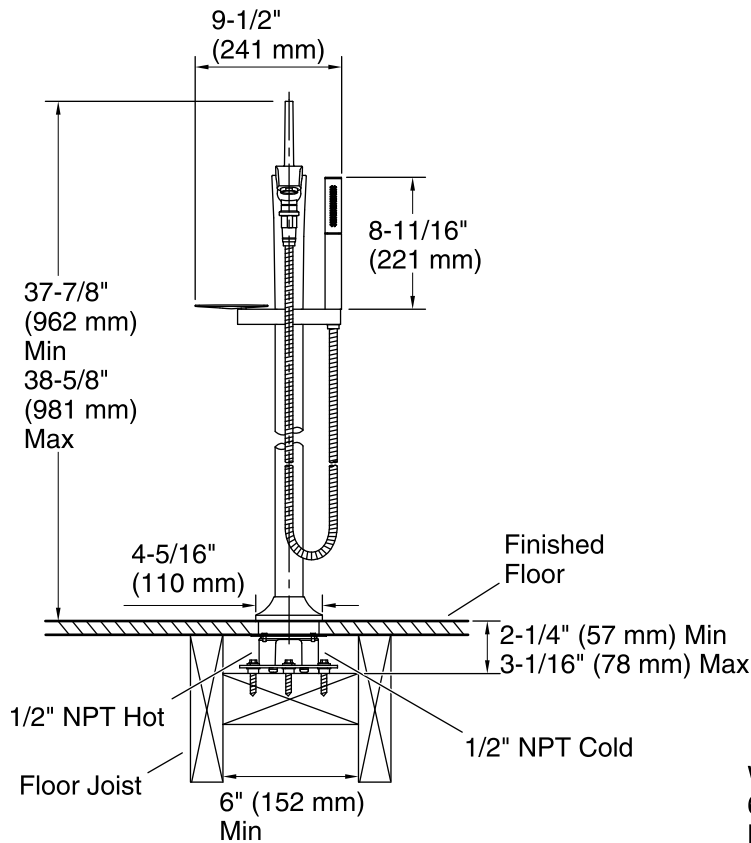
CP Polished Chrome



SN Vibrant® Polished Nickel



BN Vibrant® Brushed Nickel



Technical Information

All product dimensions are nominal.

Faucet:

Flow rate: 7 gal/min (26.5 l/min)
 Pressure: 45 psi (3.1 bar)
 Valve body: Composite
 Drain included: No

Spout:

Spout reach: 9-5/16" (236 mm)

Handshower:

Rated maximum flow: 1.75 gal/min (6.6 l/min)
 Pressure: 80 psi (5.5 bar)

Notes

Install this product according to the installation guide.

Adequate floor support is required. The wood support must be a minimum of 2" (51 mm) thick by 6" (152 mm) wide. 2x6 lumber is NOT adequate for this application.

Concrete can be used as the floor support. Requires 3/16" masonry drill bit and six 1/4" x 1-3/4" concrete screws, not included.