

### Features

- Quarter-turn washerless ceramic disc valves.
- Vandal proof lever handles.
- Gooseneck swing/rigid spout with 5-1/4" (133 mm) reach
- Lower flow aerator options are available (refer to the Kohler Price Book).
- 1.0 gal/min (3.8 l/min) maximum flow rate [max at 60 psi (4.14 bar)].
- Vandal resistant aerated outlet.

### Material

- Brass construction.
- Brass valve bodies.

### Installation

- Single-hole installation.



**ADA** **CSA B651** **OBC**

### Codes/Standards

ASME A112.18.1/CSA B125.1

NSF/ANSI 61

NSF/ANSI 372

All applicable US Federal and State material regulations

DOE - Energy Policy Act 1992

EPA WaterSense®

ADA

ICC/ANSI A117.1

CSA B651

OBC

### KOHLER® One-Year Limited Warranty

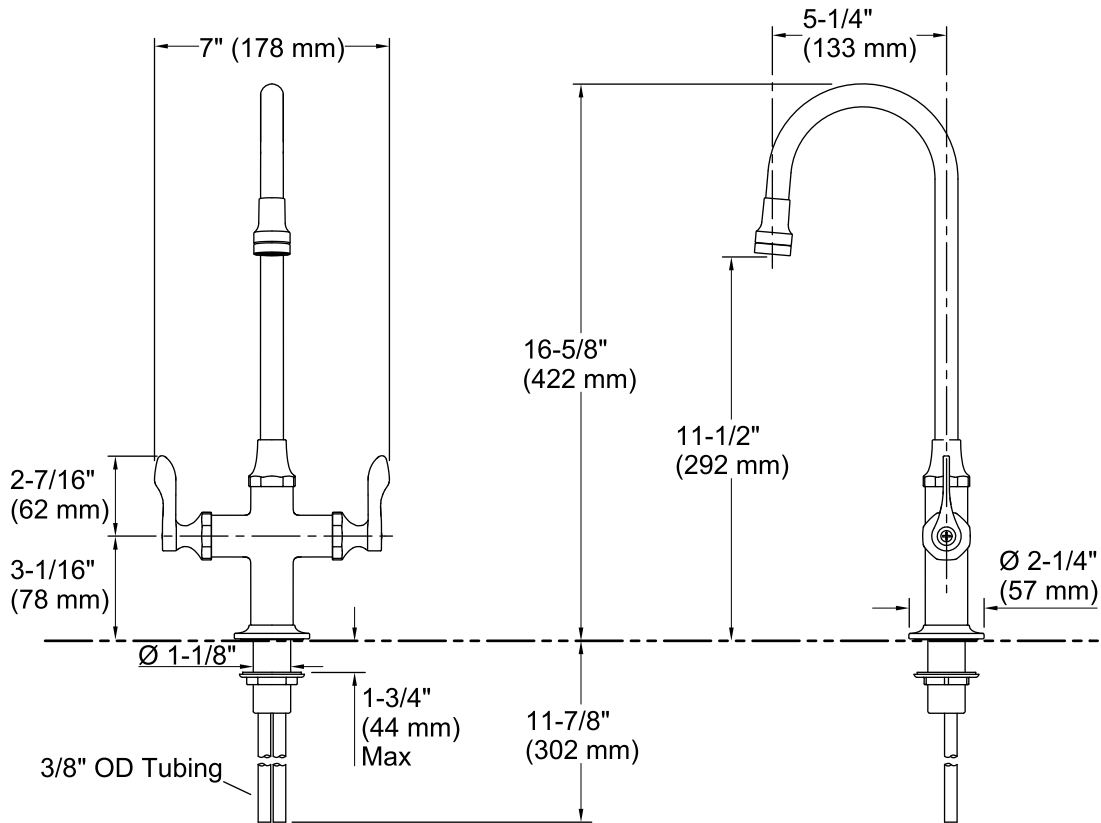
See website for detailed warranty information.

### Available Color/Finishes

*Color tiles intended for reference only.*

Color	Code	Description
-------	------	-------------

	CP	Polished Chrome
--	----	-----------------



**Technical Information**

All product dimensions are nominal.

**Faucet:**

Flow rate: 1 gal/min (3.8 l/min)

Pressure: 60 psi (4.1 bar)

**Spout:**

Spout reach: 5-3/16" (132 mm)

Handle clearance: 2-3/8" (60 mm)

**Notes**

Install this product according to the installation guide.

ADA, OBC, CSA B651 compliant when installed to the specific requirements of these regulations.