

### Features

- Customizable farmhouse apron lets you choose a design to complement kitchen decor.
- Match the farmhouse apron with your countertop/backsplash material or select a KOHLER insert.
- Inserts are changeable.
- Patented Tailor™ carrier bracket system makes for simple and secure insert installation.
- Fits minimum 30" apron sink base cabinet.
- Single medium bowl.
- 9" depth.
- No faucet holes.
- Self-Trimming® apron overlaps the cabinet face for easy installation.
- Rear drain increases workspace in the sink and storage space underneath.
- SilentShield® sound-absorption technology offers quieter performance.
- Rounded 0.39" (10mm) corners are easy to clean.

### Material

- Handcrafted from stainless steel.
- 16-gauge basin and 4-gauge apron.

### Installation

- Under-mount farmhouse.
- Includes insert carrier and hardware to attach customer's own insert material or a KOHLER insert.
- Carrier has adjustability to ensure insert is centered.
- Apron is designed to accommodate traditional countertop material thicknesses of 1.18" (3cm) or less.

### Recommended Products/Accessories

K-8801 Sink Strainer  
K-8799 Sink Strainer

### Optional Products/Accessories

K-22575 Flora insert  
K-22576 Etched Stone insert  
K-22577 Carved Stone insert  
K-22579 tile frame

### Included Components

Additional Components:  
K-6466 Sink Rack  
Cutout templates  
Installation hardware

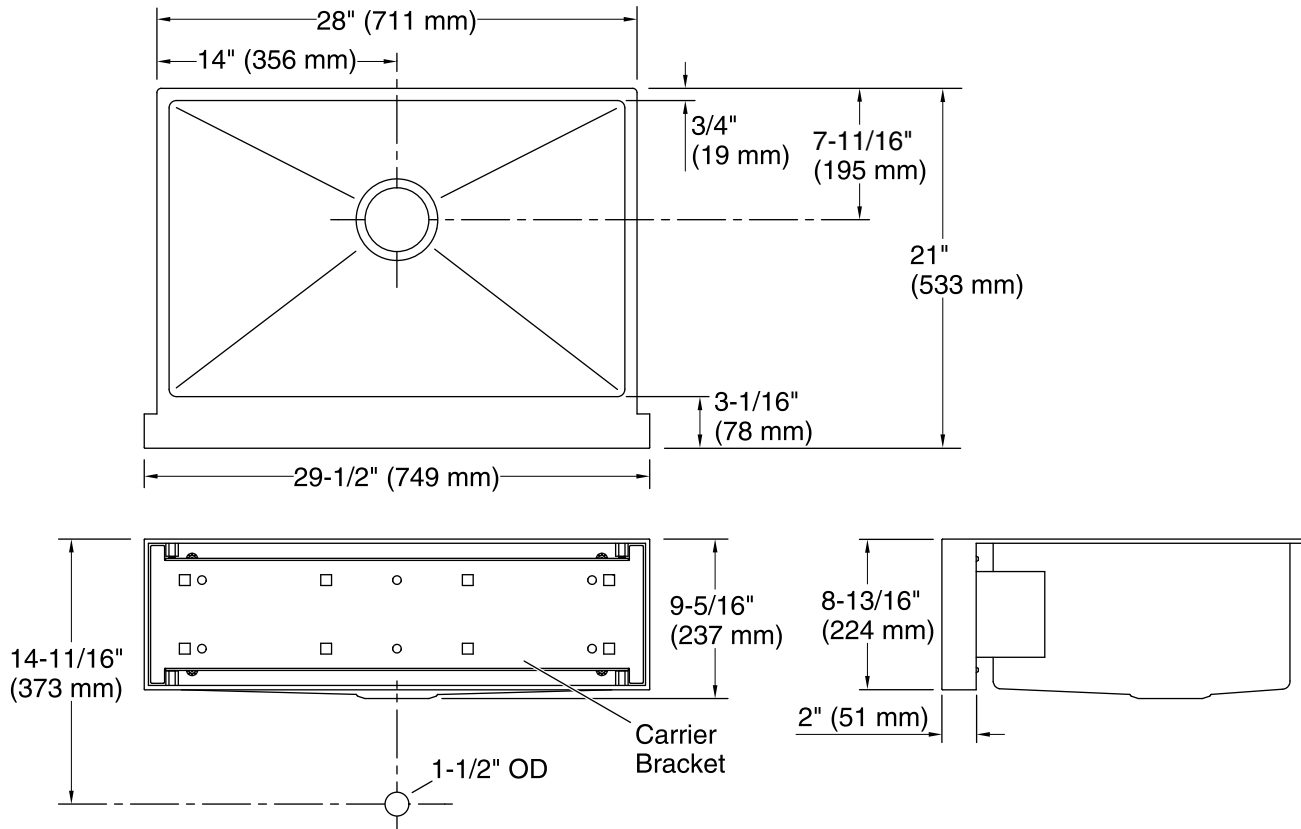


### Codes/Standards

ASME A112.19.3/CSA B45.4

### Lifetime Limited Warranty for KOHLER® Stainless Steel Sinks

See website for detailed warranty information.



## Technical Information

All product dimensions are nominal.

Installation:	Under-mount
Bowl area (Only):	Length: 26-1/2" (673 mm) Width: 17-3/16" (437 mm) Bowl depth: 9" (229 mm) Water depth: 9" (229 mm)
Drain hole:	3-3/4" (94 mm)
Template:	Apron-front, 1224139-7, required, included 1358497-7, not required, included

## Notes

Install this product according to the installation instructions.

Allow a minimum of 3" (76 mm) clearance for the back 3/4" (19 mm) sink rim flange for clip attachment.

The 3/4" (19 mm) side rim flanges are supported without using the clip attachment. See the installation guide for further instructions.