

**Features**

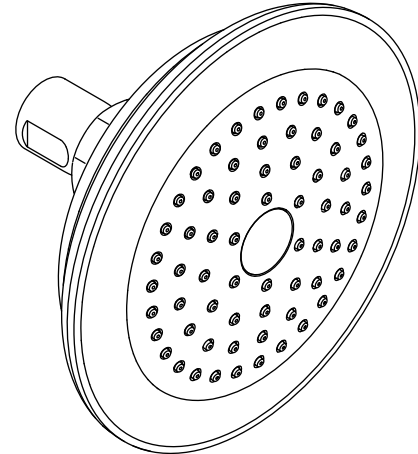
- *Katalyst™ Spray Technology with air induction ball joint (patent pending)*
- *Optimized sprayface for maximum performance*
- *MasterClean™ spray nozzles prohibit mineral buildup for easy cleaning*
- *2.5 gal/min (9.5 l/min) flow rate*
- *1/2"-14 NPT connection*
- *Single-function showerhead with 66 nozzle 5-1/2" (140 mm) diameter sprayface*

**Codes/Standards Applicable**

Specified model meets or exceeds the following:

- *ASME A112.18.1/CSA B125.1*
- *Energy Policy Act of 1992*

**SINGLE-FUNCTION SHOWERHEAD  
K-72773**



**Colors/Finishes**

- CP: Polished Chrome
- Other: Refer to Price Book for additional colors/finishes

**Accessories**

- CP: Polished Chrome
- PB: Vibrant® Polished Brass
- Other: Refer to Price Book for additional colors/finishes

**Specified Model**

Model	Description	<input type="checkbox"/> CP	<input type="checkbox"/> Other ____
K-72773	Single-function showerhead	<input type="checkbox"/> CP	<input type="checkbox"/> Other ____
Recommended Accessories			
K-72775	Shower arm and flange – 10-11/16" (271 mm) length, 1/2" NPT	<input type="checkbox"/> CP	<input type="checkbox"/> Other ____

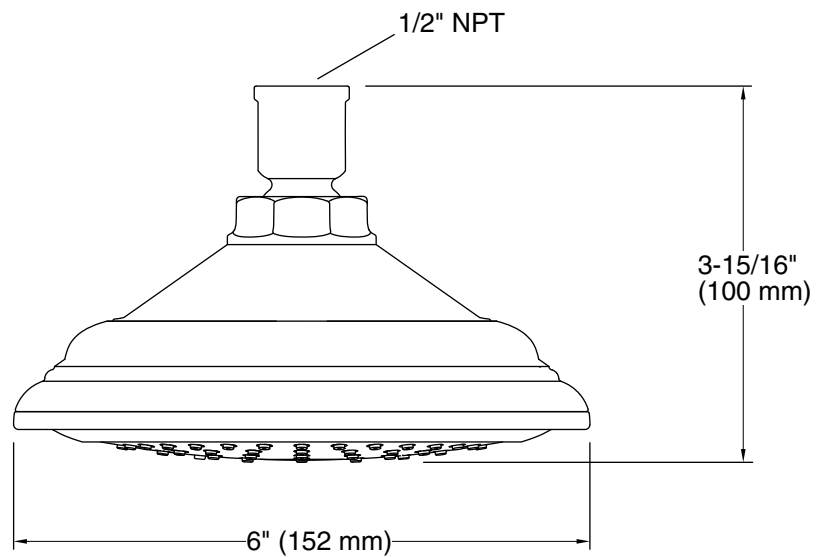
**Product Specification**

The single-function showerhead shall be with 66 nozzle 5-1/2" (140 mm) diameter sprayface. Showerhead shall have Katalyst™ spray technology with air induction ball joint (patent pending) and optimized sprayface for maximum performance. Showerhead shall include MasterClean™ spray nozzles to prohibit mineral build-up for easy cleaning. Showerhead shall have a 2.5 gal/min (9.5 l/min) flow rate and 1/2"-14 NPT connection. Showerhead shall be Kohler Model K-72773-\_\_\_\_.

# ARTIFACTS™

## Installation Notes

Install this product according to the installation guide.



## Product Diagram

### Features

- 1/2-inch NPT connection.
- Coordinates with other products in the Artifacts® collection.
- 10-11/16" (297 mm) x 2-3/4" (70 mm) x 2-3/4" (70 mm)

### Material

- Durable metal construction.



### Codes/Standards


None Applicable

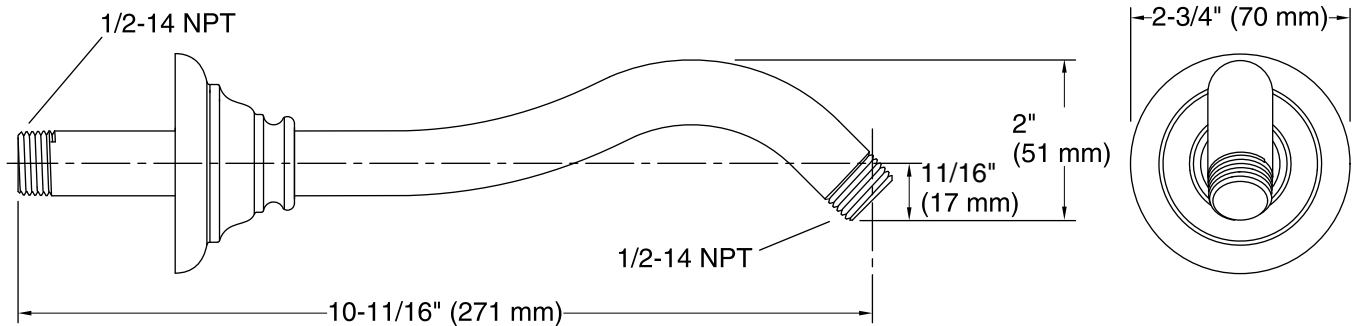
### KOHLER® Faucet Lifetime Limited Warranty

See website for detailed warranty information.

### Available Color/Finishes

*Color tiles intended for reference only.*

Color	Code	Description
	CP	Polished Chrome
	SN	Vibrant® Polished Nickel
	BN	Vibrant® Brushed Nickel
	BV	Vibrant® Brushed Bronze
	2BZ	Oil-Rubbed Bronze
	VNT	Vintage Nickel



**Technical Information**

All product dimensions are nominal.

**Notes**

Measure your actual product for roughing-in details.

### Features

- Air-induction technology maximizes the air/water mix for a powerful, even flow.
- Optimized sprayface with 48 nozzles delivers a more focused coverage.
- Ergonomic sprayhead pivots to allow precise adjustment for targeted hydromassage.
- MasterClean™ sprayface is easy to clean.
- 2.0 gal/min (7.6 l/min) maximum flow rate.
- Requires K-8593 or K-9514 shower hose (sold separately).
- Coordinates with other products in the Artifacts collection.

### Installation

- Bracket or sidebar required for wall-mount installation.
- Deck-mount holder required for deck-mount installation.

### Water Conservation & Rebates

- WaterSense®-labeled 2.0-gpm handshowers use up to 20 percent less water than standard 2.5-gpm handshowers, while still meeting strict performance guidelines.
- This product can help a building earn Water Efficiency points in the LEED® Green Building Rating System.

### Required Accessories

- K-8593 72" Shower Hose
- K-9514 60" Shower Hose



### Codes/Standards

ASME A112.18.1/CSA B125.1  
DOE - Energy Policy Act 1992  
EPA WaterSense®  
California Energy Commission (CEC)

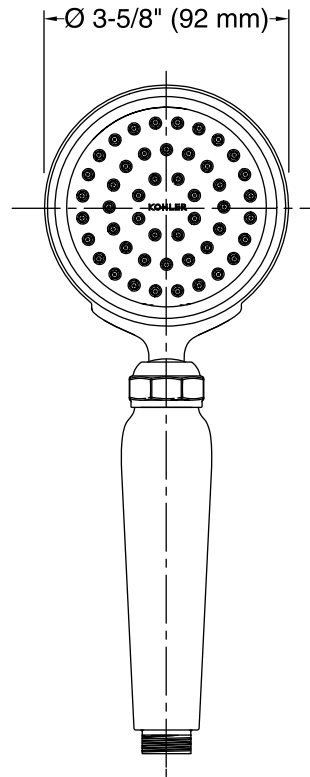
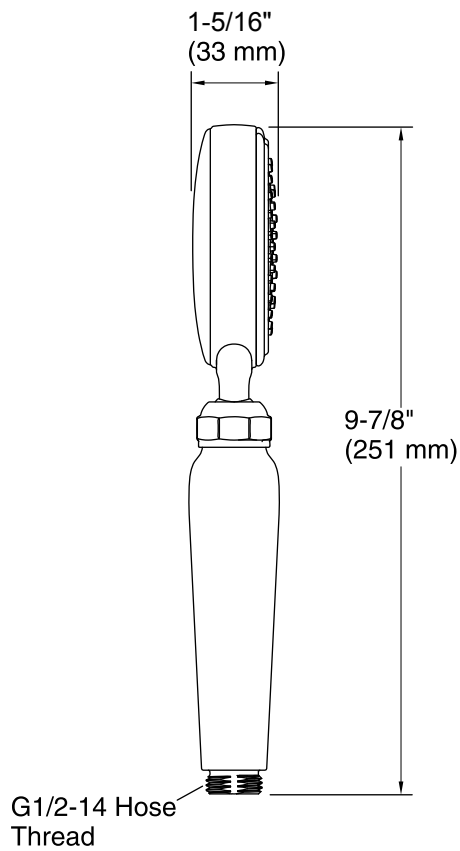
### KOHLER® Faucet Lifetime Limited Warranty

See website for detailed warranty information.

### Available Color/Finishes

*Color tiles intended for reference only.*

Color	Code	Description
	CP	Polished Chrome
	SN	Vibrant® Polished Nickel
	BN	Vibrant® Brushed Nickel
	BV	Vibrant® Brushed Bronze
	2BZ	Oil-Rubbed Bronze
	VNT	Vintage Nickel



### Technical Information

All product dimensions are nominal.

### Handshower:

Rated maximum flow: 2 gal/min (7.6 l/min)

### Notes

Install this product according to the installation guide.

Plumbing codes require an atmospheric vacuum breaker (such as Kohler Model K-9660) be installed in-line with handshowers. Please consult with local plumbing officials.



## Features

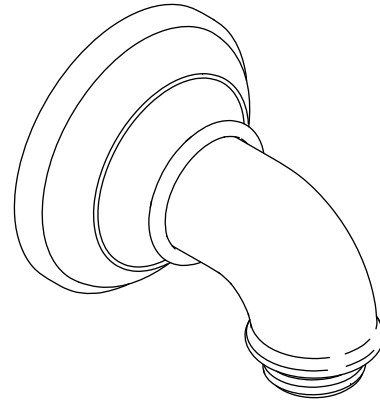
- Metal construction
- For use with a handshower and hose
- Includes check valve for backflow prevention
- Coordinates with Artifacts™ faucets and accessories

## WALL-MOUNT SUPPLY ELBOW K-72796

## Codes/Standards Applicable

Specified model meets or exceeds the following:

- ASME A112.18.1/CSA B125.1



## Colors/Finishes

- CP: Polished Chrome
- Other: Refer to Price Book for additional colors/finishes

## Specified Model

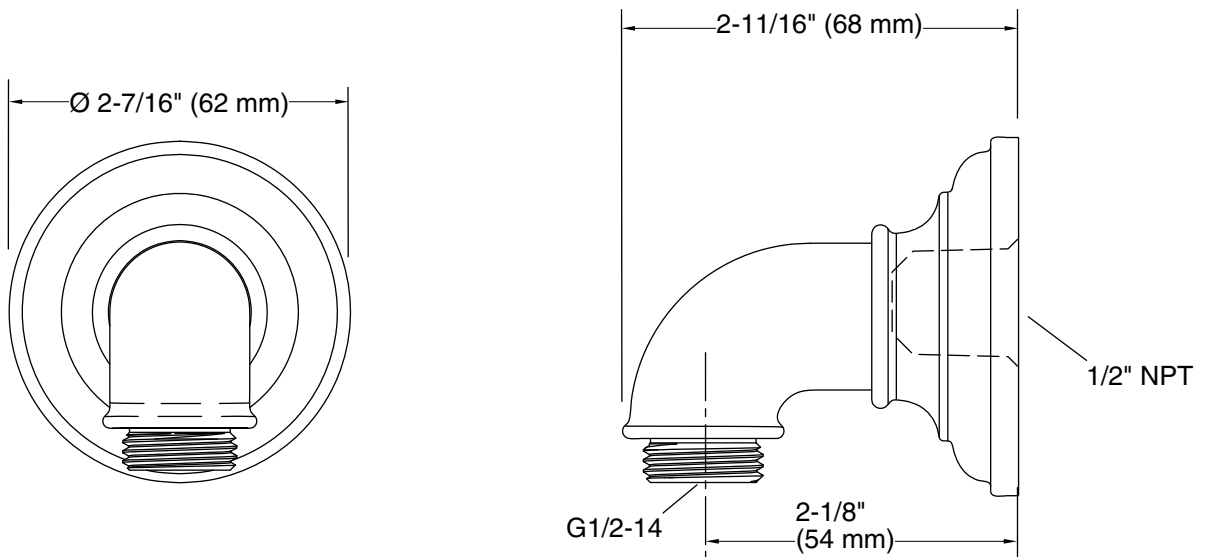
Model	Description	Colors/Finishes	
K-72796	Wall-mount supply elbow	<input type="checkbox"/> CP	<input type="checkbox"/> Other_____

### Product Specification

Supply elbow shall be made of metal construction. Product shall be for use with a handshower and hose. Product shall include check valve for backflow prevention. Product shall coordinate with Artifacts faucets and accessories. Supply elbow shall be Kohler Model K-72796-\_\_\_\_\_.

## Installation Notes

Install this product according to the installation guide.



## Product Diagram



### Features

- Allows handshower to be raised or lowered to desired height for customized showering experience.
- Handshower not included.
- Coordinates with other products in the Artifacts™ collection.
- 3-3/16" (81 mm) x 2-1/2" (64 mm) x 30" (762 mm)

### Material

- Premium metal construction.
- KOHLER finishes resist corrosion and tarnish.

### Installation

- Wall-mount.



ADA CSA B651 OBC

### Codes/Standards



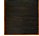

ASME A112.18.1/CSA B125.1  
ADA  
ICC/ANSI A117.1  
CSA B651  
OBC

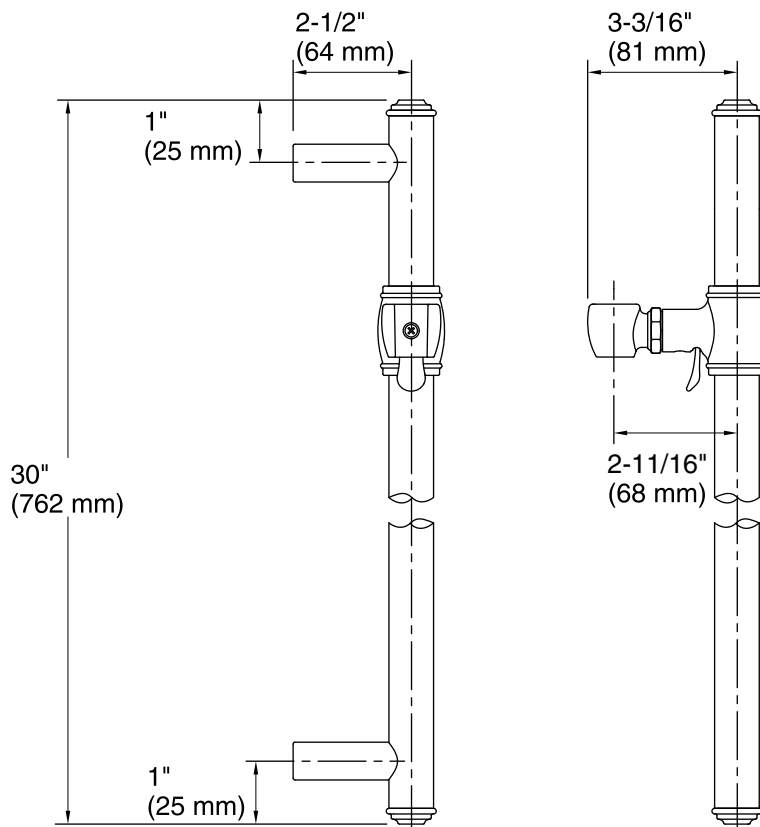
### KOHLER® Faucet Lifetime Limited Warranty

See website for detailed warranty information.

### Available Color/Finishes

*Color tiles intended for reference only.*

Color	Code	Description
	CP	Polished Chrome
	SN	Vibrant® Polished Nickel
	BN	Vibrant® Brushed Nickel
	BV	Vibrant® Brushed Bronze
	2BZ	Oil-Rubbed Bronze
	VNT	Vintage Nickel



## Technical Information

All product dimensions are nominal.

## Notes

Install this product according to the installation guide.

ADA, OBC, CSA B651 compliant when installed to the specific requirements of these regulations.

### Features

- For use with K-72798 Artifacts slidebar.
- Set of two.
- 1" (25 mm) x 2-1/4" (57 mm)

### Material

- Premium metal construction.
- KOHLER finishes resist corrosion and tarnish.

### Required Accessories

K-72798 Shower Slidebar



### Codes/Standards

None Applicable

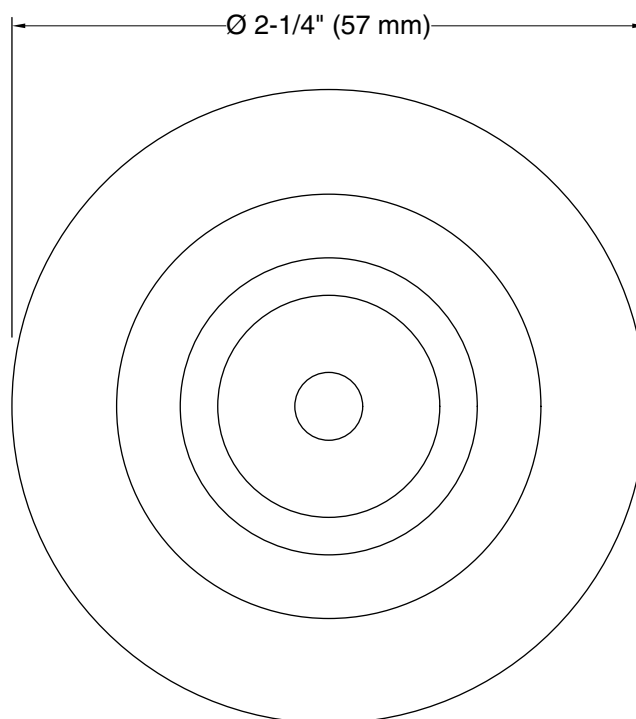
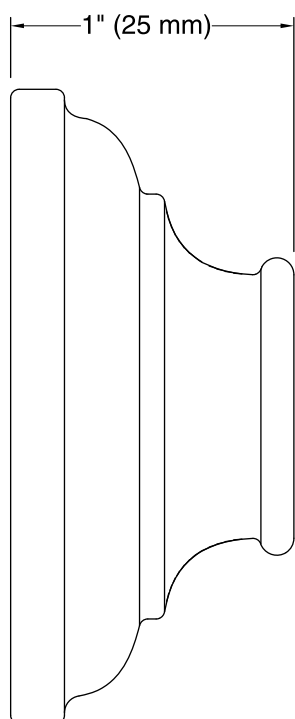
### KOHLER® Faucet Lifetime Limited Warranty

See website for detailed warranty information.

### Available Color/Finishes

*Color tiles intended for reference only.*

Color	Code	Description
	CP	Polished Chrome
	SN	Vibrant® Polished Nickel
	BN	Vibrant® Brushed Nickel
	BV	Vibrant® Brushed Bronze
	2BZ	Oil-Rubbed Bronze
	VNT	Vintage Nickel



## Technical Information

All product dimensions are nominal.

## Notes

Install this product according to the installation guide.

### Features

- Transfers water flow to up to three separate components/outlets.
- Components/outlets can be operated individually or in any combination of two components at the same time.
- Supplied as a three-way transfer valve (360 degree handle rotation) but can be configured onsite for two-way operation (120 degree handle rotation).
- Single handle operation.
- Using 1 outlet: 18 gpm flow rate at 45 psi; using 2 outlets: 20.8 gpm at 45 psi.
- One 3/4" female NPT inlet connection.
- Three 1/2" female NPT outlet connections.
- Requires additional valve/s to control On/Off operation and temperature (sold separately).
- Requires transfer/diverter valve trim (sold separately).

### Material

- Forged dezincification-resistant brass body provides long term reliability and resistance to aggressive water conditions.

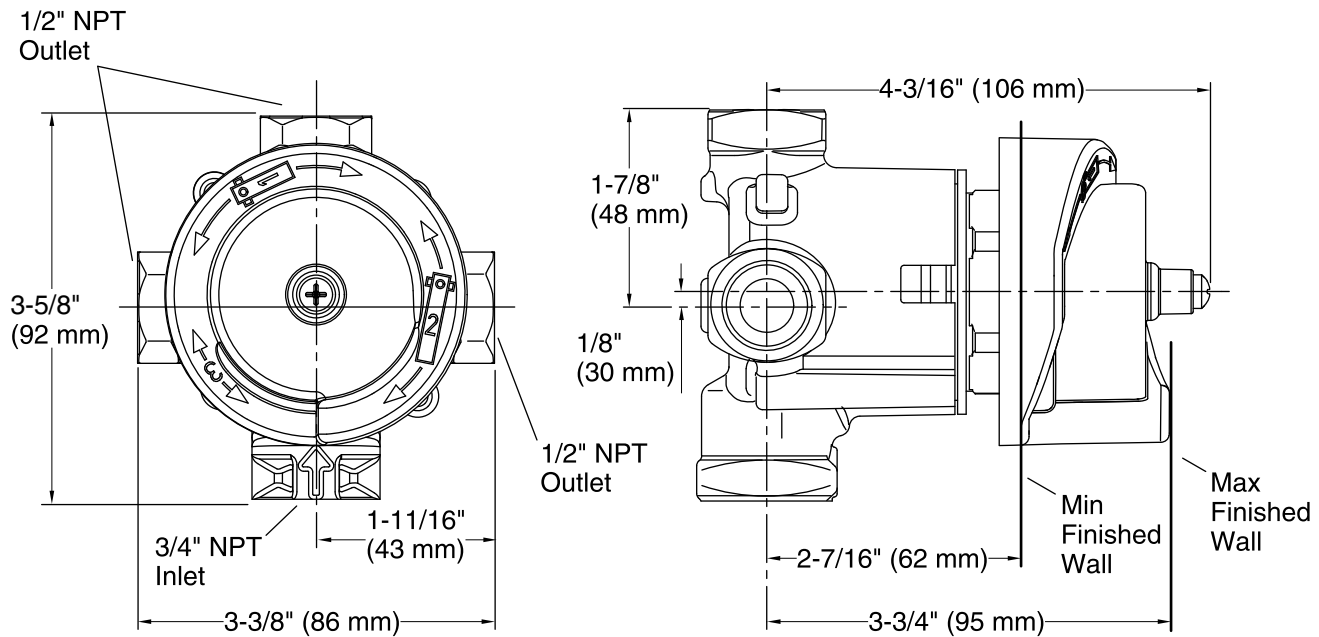


### Codes/Standards

ASME A112.18.1/CSA B125.1

### KOHLER® Faucet Lifetime Limited Warranty

See website for detailed warranty information.



**Technical Information**

All product dimensions are nominal.

### Features

- Includes valve body, pressure balance cartridge, rough-in guide and mud guard
- 1/2" Universal NPT & direct sweat inlets & outlets, with stops
- Service stops include integral check valves
- 5.0 gpm (18.9 l/min) maximum flow rate at 45 psi
- Single lever design cycles from off through cold to hot
- Provides temperature regulation and automatic anti-scald protection
- One piece cartridge design simplifies installation and maintenance
- Adjustable high temperature limit stop to control maximum water temperature
- Requires valve trim to complete installation (sold separately).

### Material

- Forged De-zincification Resistant Brass body provides long term reliability and resistance to aggressive water conditions

### Technology

- Pressure-balancing diaphragm technology maintains outlet temperature within +/- 3 degrees Fahrenheit during water pressure fluctuations

### Installation

- Designed for use in standard, back to back and thin wall installations
- Valve body features integral mounting locations and symmetrical valve inlets to simplify installation
- Cartridge is reversible for installations where hot and cold supplies are reversed.
- Rough-in guide designed for both standard and thin wall installations
- Installed valve rough-in can be flushed and pressure tested to 150psi max (air or water) without cartridge, using K-10351 Test Cap

### Optional Accessories

- K-10350 Deep Rough-In Kit For K-8305 Cartridges
- K-10351 Test Cap For K-8300 Series Valve Bodies

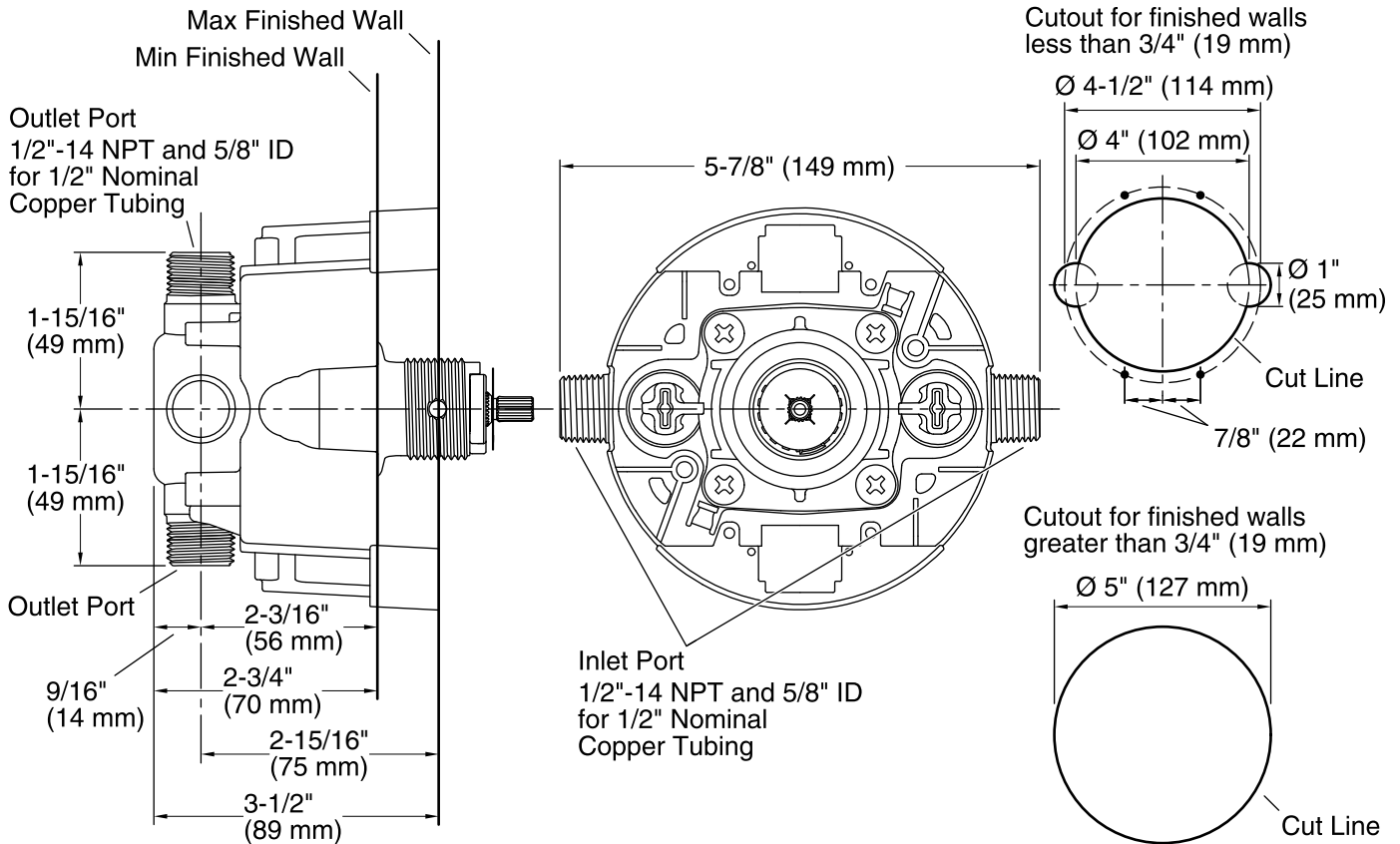


### Codes/Standards

ASME A112.18.1/CSA B125.1  
ASSE 1016

### KOHLER® Faucet Lifetime Limited Warranty

See website for detailed warranty information.



### Technical Information

All product dimensions are nominal.

Valve body: Machined Brass

### Shower Valve:

Min. pressure IN: 20 psi (1.4 bar)

### Notes

Install this product according to the installation guide.

Avoid cross-flow conditions. Do not install shut-off device on either valve outlet.

Cap the shower outlet if deck-mount spout, diverter, or handshower is connected to the spout outlet.

Install straight pipe or tube drop of 7" (178 mm) to 18" (457 mm) with single elbow between the valve and wall-mount spout.

For finished walls greater than 3/4" (19 mm) and less than 1-1/2" (38 mm), install support(s) 2" (51 mm) from the stud face.

For finished walls greater than 1-1/2" (38 mm), install support(s) 3" (76 mm) from the face of the finished wall.



#### Features

- 60-inch hose length.
- Swivel base helps reach target areas.
- For use with a handshower (sold separately).
- KOHLER finishes resist corrosion and tarnishing.

#### Material

- Durable metal construction.



#### Codes/Standards





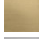

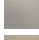
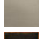
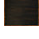


None Applicable

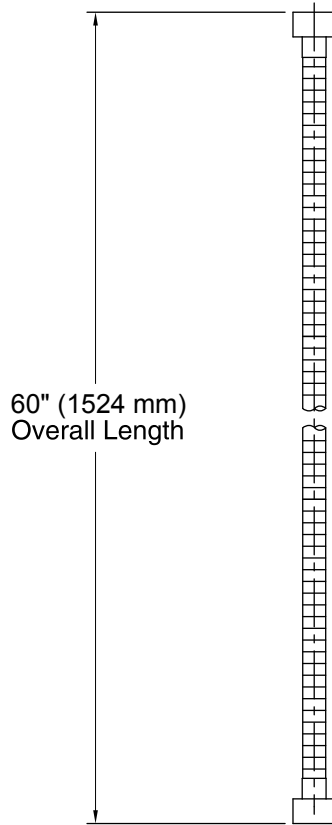
#### KOHLER® Faucet Lifetime Limited Warranty

See website for detailed warranty information.

#### Available Color/Finishes

*Color tiles intended for reference only.*

Color	Code	Description
	CP	Polished Chrome
	SN	Vibrant® Polished Nickel
	AF	Vibrant® French Gold
	PB	Vibrant® Polished Brass
	BGD	Vibrant® Moderne Brushed Gold
	G	Brushed Chrome
	BN	Vibrant® Brushed Nickel
	BV	Vibrant® Brushed Bronze
	2BZ	Oil-Rubbed Bronze
	RGD	Titanium
	TT	Vintage Nickel
	VNT	



**Technical Information**

All product dimensions are nominal.

**Notes**

Install this product according to the installation guide.

### Features

- When used with K-728 Series MasterShower diverter valves, handle controls flow to two or three outlets individually or any two outlets at a time.
- When used with K-737 Series MasterShower diverter valves, handle controls flow to two or three outlets individually (only one outlet at a time).
- Valve (not supplied) can be configured on site for two or three outlet operation.
- 360 degree handle rotation with three outlet operation.
- 120 degree handle rotation with two outlet operation.
- Complements the Artifacts® faucet and accessory collections.

### Material

- Premium metal construction
- KOHLER finishes resist corrosion and tarnishing
- Premium material construction with metal handle ensures reliability and durability.
- KOHLER finishes resist corrosion and tarnishing, exceeding industry durability standards.

### Installation

- Trim set requires valve to complete installation.
- Patented K-joint installation technology ensures consistent trim appearance, regardless of variability in valve rough-in.



ADA

### Codes/Standards

ASME A112.18.1/CSA B125.1  
ADA  
ICC/ANSI A117.1

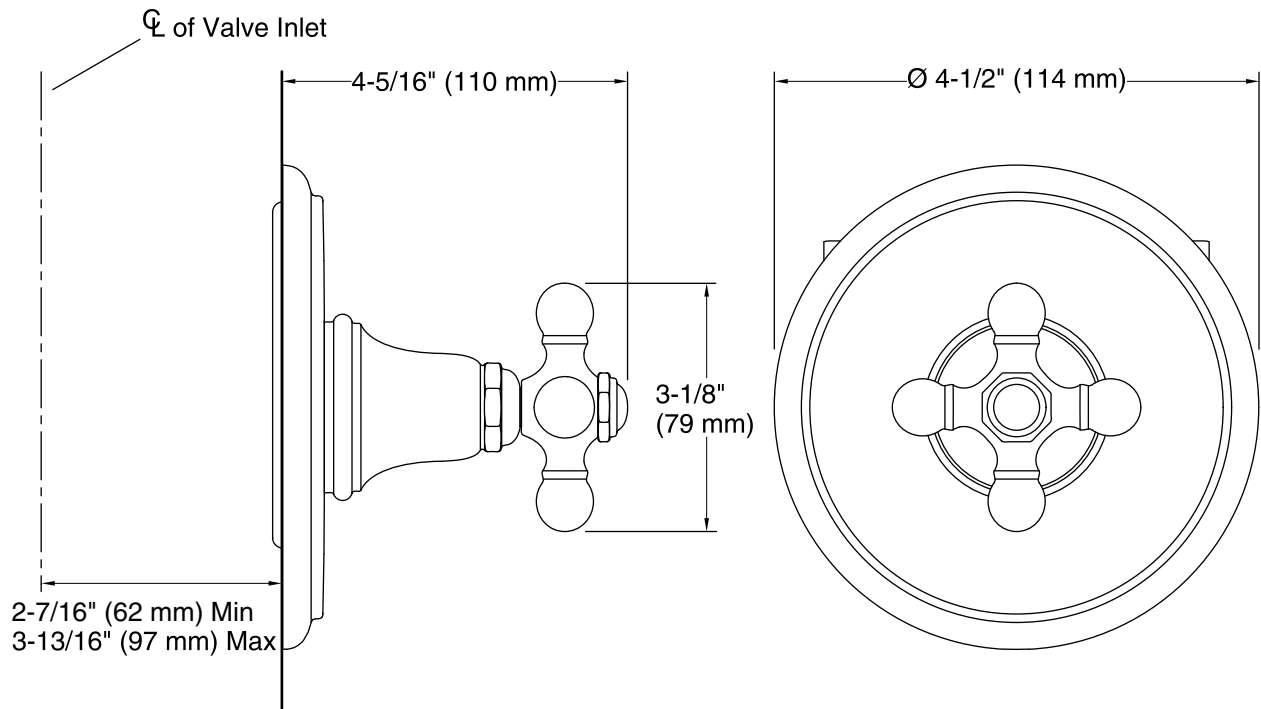
### KOHLER® Faucet Lifetime Limited Warranty

See website for detailed warranty information.

### Available Color/Finishes

*Color tiles intended for reference only.*

Color	Code	Description
	CP	Polished Chrome
	SN	Vibrant® Polished Nickel
	BN	Vibrant® Brushed Nickel
	BV	Vibrant® Brushed Bronze
	2BZ	Oil-Rubbed Bronze
	VNT	Vintage Nickel



### Technical Information

All product dimensions are nominal.

### Notes

Install this product according to the installation instructions.

ADA compliant when installed to the specific requirements of these regulations.

## Features

- Includes face plate with metal cross handle.
- Single handle controls both on/off activation and temperature setting.
- Metal cross handle.
- Coordinates with Artifacts faucets and accessories.

## Material

- Premium material construction with metal handle ensures reliability and durability.
- KOHLER finishes resist corrosion and tarnishing, exceeding industry durability standards.

## Installation

- Trim set requires valve to complete installation.



ADA

## Codes/Standards

ASME A112.18.1/CSA B125.1  
ADA  
ICC/ANSI A117.1

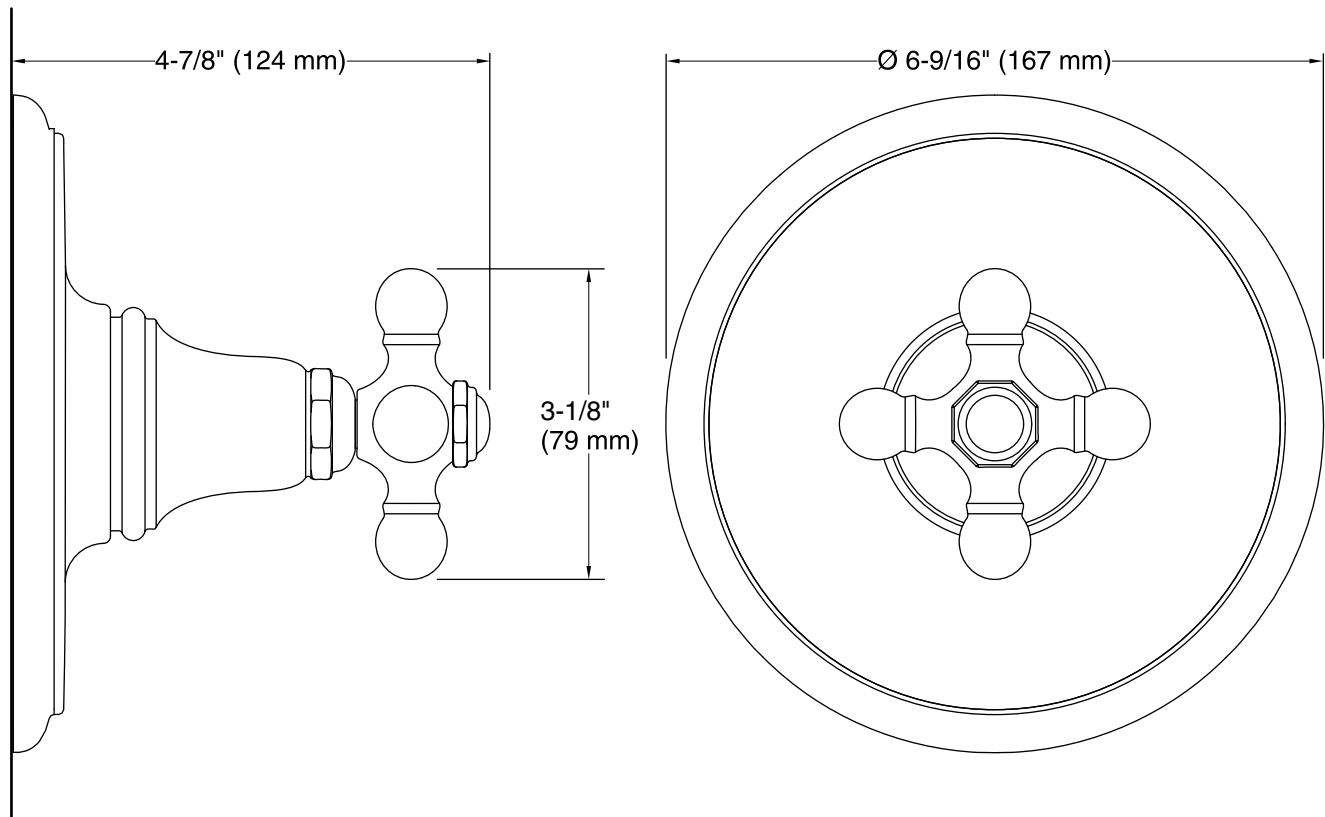
## KOHLER® Faucet Lifetime Limited Warranty

See website for detailed warranty information.

## Available Color/Finishes

*Color tiles intended for reference only.*

Color	Code	Description
	CP	Polished Chrome
	SN	Vibrant® Polished Nickel
	BN	Vibrant® Brushed Nickel
	BV	Vibrant® Brushed Bronze
	2BZ	Oil-Rubbed Bronze
	VNT	Vintage Nickel



**Technical Information**

All product dimensions are nominal.

**Notes**

Install this product according to the installation instructions.

ADA compliant when installed to the specific requirements of these regulations.