

### Features

- Brass construction with brass valve bodies.
- Vandal resistant aerated flow.
- Quarter-turn washerless ceramic disc valves.
- Less drain.
- Lever handles.
- 5-3/16" (132 mm) gooseneck spout.
- For 8" (203 mm) or 16" (406 mm) centers.
- 1.0 gal/min (3.8 l/min) maximum flow rate [max at 60 psi (4.14 bar)].



ADA

### Codes/Standards

ASME A112.18.1/CSA B125.1

NSF 61

NSF 372

All applicable US Federal and State material regulations

DOE - Energy Policy Act 1992

EPA WaterSense®

ADA

ICC/ANSI A117.1

### KOHLER® One-Year Limited Warranty

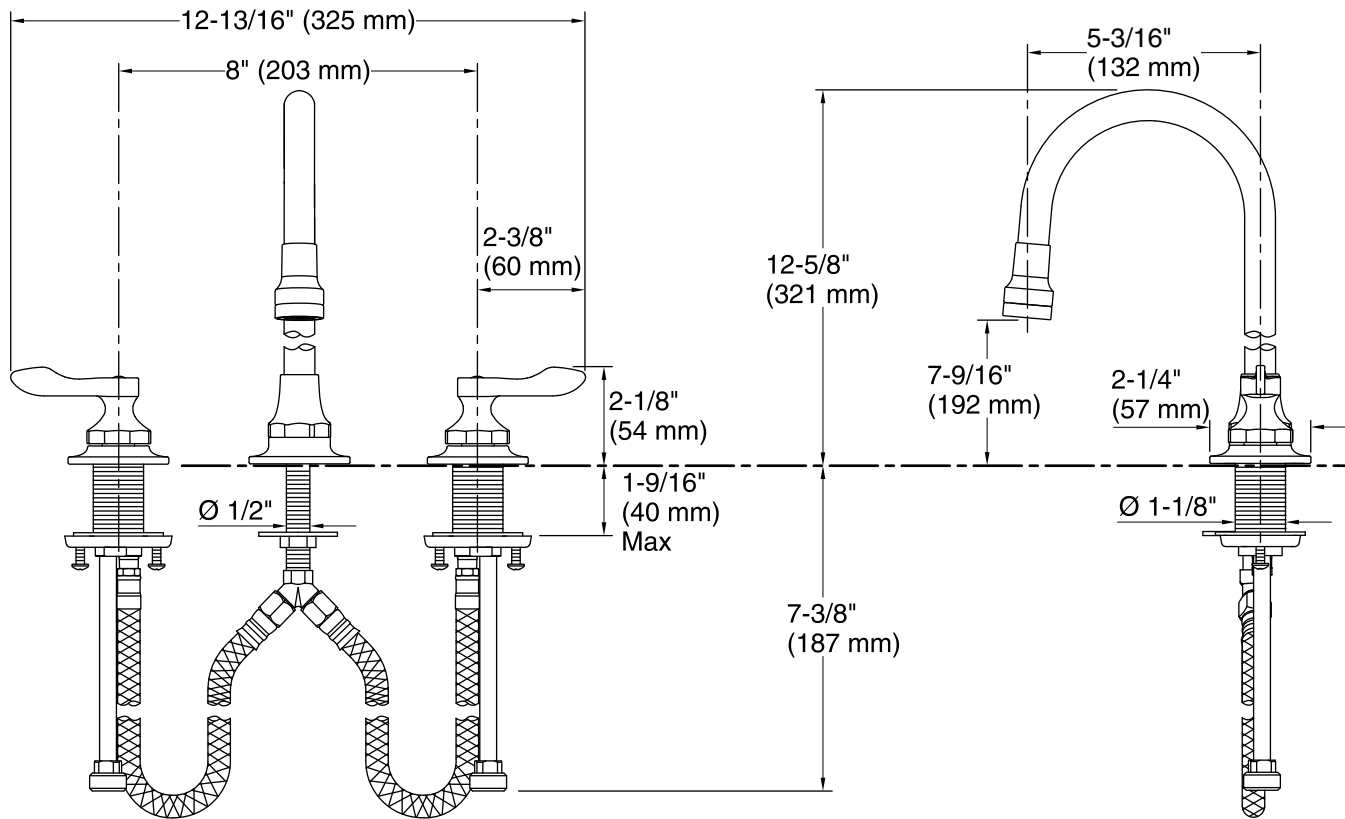
See website for detailed warranty information.

### Available Color/Finishes

*Color tiles intended for reference only.*

Color	Code	Description
-------	------	-------------

	CP	Polished Chrome
--	----	-----------------



### Technical Information

All product dimensions are nominal.

#### Spout:

Spout reach: 5-3/16" (132 mm)

Handle clearance: 2-3/8" (61 mm)

#### Faucet:

Flow rate: 1 gal/min (3.8 l/min)

Pressure: 60 psi (4.1 bar)

### Notes

Install this product according to the installation guide.

ADA compliant when installed to the specific requirements of these regulations.