



Highcliff™ Ultra

Elongated Floor Mount Flushometer Bowl

K-96058

Features

- Elongated bowl, ADA compliant.
- 1-1/2" rear spud.
- 10" x 7" water surface size.
- Also available with antimicrobial finish K-96058-SS.
- Glazed 2-1/8" trapway.

Material

- Vitreous china.

Technology

- Designed to outperform competitors in bowl cleanliness and plug resistance.
- Maximum waste removal.
- Engineered for toilet seat cover removal.
- Excellent bowl rinse.
- Engineered to flush effectively in buildings with low supply pressure and flow*.
- Maximum drain line carry at all flush volumes per ASME Standard.

Installation

- 26-1/8" L x 14-5/8" W x 16-5/8" H
- 11" rough-in.
- Replaces Highcrest K-4301 and Highcliff K-4367. Height and footprint may vary.

Water Conservation & Rebates

- 1.28 to 1.6 gpf flush range (1.28 and 1.6 gpf).
- WaterSense compliant when used with a 1.28 gpf WaterSense flushometer.

Components

Additional included component/s: Spud, and Bolt Cap Accessory Pack.



ADA **CSA B651** **OBC**

Codes/Standards




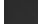
ASME A112.19.2/CSA B45.1
DOE - Energy Policy Act 1992
EPA WaterSense®
California Energy Commission (CEC)
ADA
ICC/ANSI A117.1
CSA B651
OBC

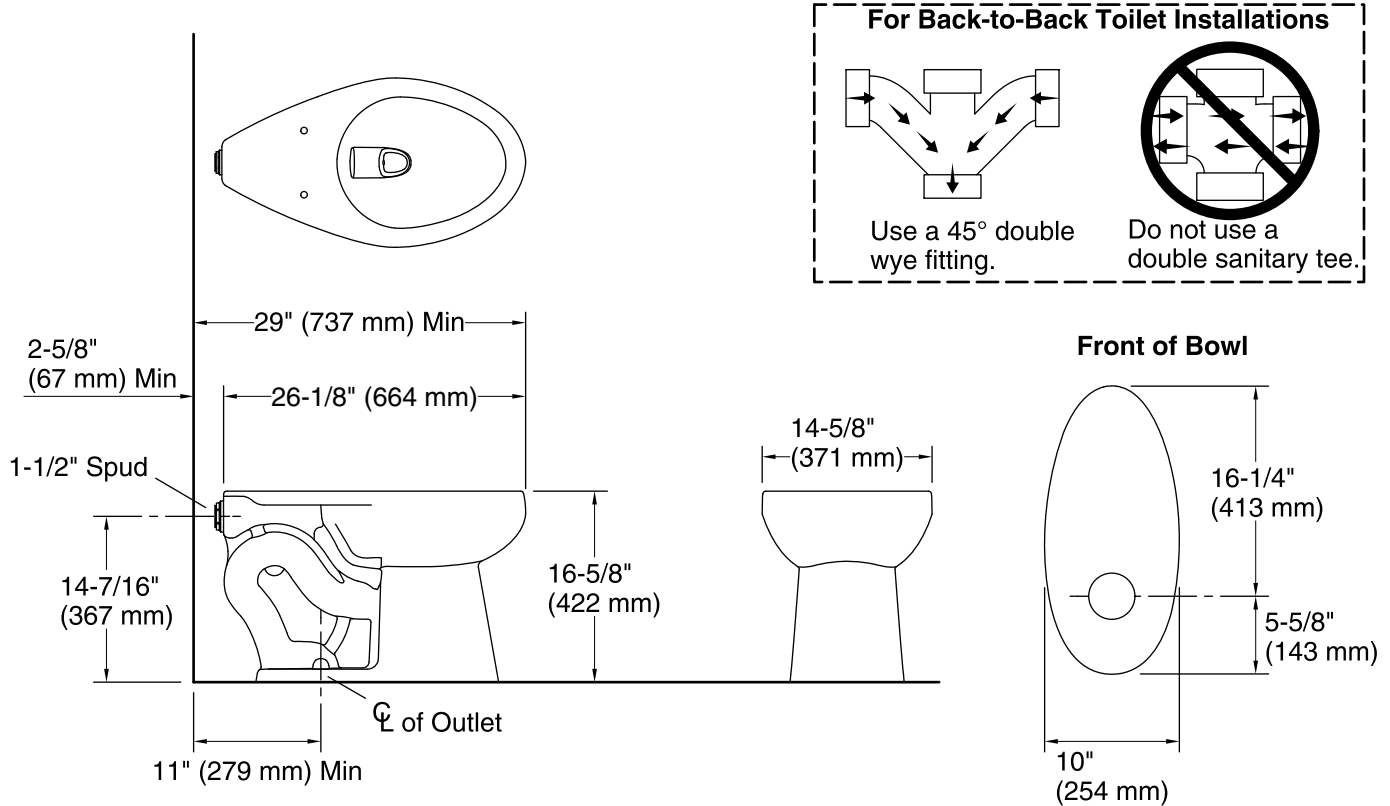
KOHLER® One-Year Limited Warranty

See website for detailed warranty information.

Available Color/Finishes

Color tiles intended for reference only.

Color	Code	Description
	0	White
	96	Biscuit
	47	Almond
	7	Black Black™



Technical Information

All product dimensions are nominal.

Toilet type:	Flushometer, Floor-mount
Waste Outlet:	Floor
Bowl shape:	Elongated front
Flush type:	Flushometer valve siphon
Spud size:	1-1/2", Inlet, Top
Trap passageway:	2-1/8" (54 mm)
Water Consumption	
Full:	1.28 gpf (4.8 lpf) or 1.6 gpf (6 lpf)
Water surface size:	10" x 7" (254 mm x 178 mm)
Rim to water surface:	6" (152 mm)
Rough-in:	11
Seat-mounting holes:	5-1/2" (140 mm)

Fixture Supply Requirements

Min static pressure:	35 psi (241.3 kPa)
Max static pressure:	80 psi (551.6 kPa)
Min flowing pressure:	25 psi (172.4 kPa)
Min flow rate:	25 gpm (94.6 lpm)

Notes

Install this product according to the installation instructions.

For back-to-back toilet installations: Use only a 45° double wye fitting.

Requires flushometer valve to match desired water consumption 1.28 gpf (4.8 lpf) or 1.6 gpf (6 lpf).

ADA, OBC, CSA B651 compliant when installed to the specific requirements of these regulations.

Plumbing codes may require elongated toilets and elongated, open-front seats in public bathrooms.

Accessibility standards may require controls to be located on the open side of the toilet.