



# Highcliff™ Ultra

## Flushometer Bowl, Lugs, Antimicrobial K-96058-SSL

### Features

- Elongated bowl, ADA compliant.
- Bedpan lugs.
- 10" x 7" water surface size.
- Antimicrobial finish inhibits the growth of mold, mildew, stain and odor causing bacteria on the fixture surface.
- 1-1/2" rear spud.
- Glazed 2-1/8" trapway.

### Material

- Vitreous china.

### Technology

- Designed to outperform competitors in bowl cleanliness and plug resistance.
- Maximum waste removal.
- Engineered for toilet seat cover removal.
- Excellent bowl rinse.
- Engineered to flush effectively in buildings with low supply pressure and flow\*.
- Maximum drain line carry at all flush volumes per ASME Standard.

### Installation

- 26-1/8" L x 14-5/8" W x 16-5/8" H
- 11" rough-in.
- Replaces Highcrest K-4301-L and Highcliff K-4367-L. Height and footprint may vary.

### Water Conservation & Rebates

- 1.28 to 1.6 gpf flush range (1.28 and 1.6 gpf).
- WaterSense compliant when used with a 1.28 gpf WaterSense flushometer.

### Components

Additional included component/s: Spud, and Bolt Cap Accessory Pack.



**ADA** **CSA B651** **OBC**

### Codes/Standards

ASME A112.19.2/CSA B45.1  
DOE - Energy Policy Act 1992  
EPA WaterSense®  
California Energy Commission (CEC)  
ADA  
ICC/ANSI A117.1  
CSA B651  
OBC

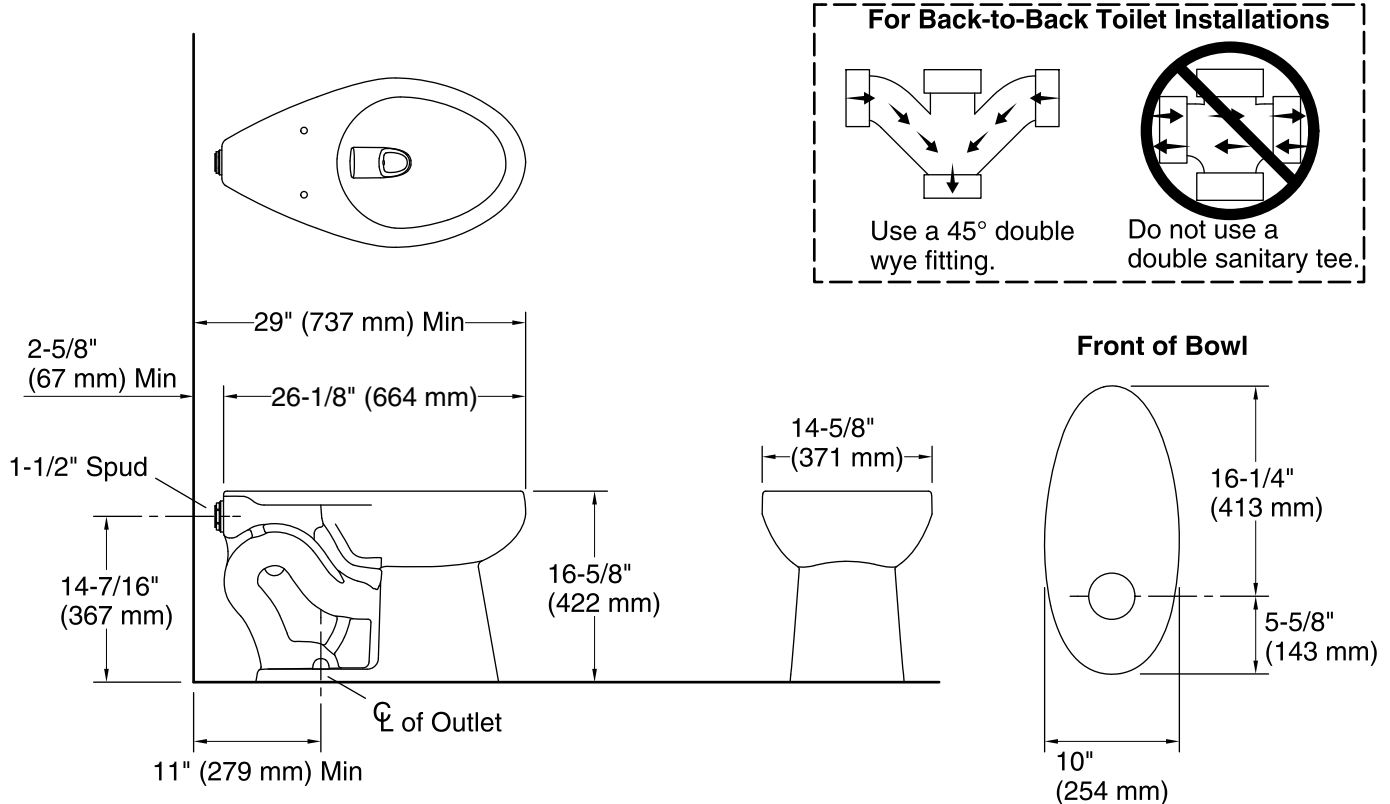
### KOHLER® One-Year Limited Warranty

See website for detailed warranty information.

### Available Color/Finishes

*Color tiles intended for reference only.*

Color	Code	Description
	0	White



### Technical Information

All product dimensions are nominal.

Toilet type:	Flushometer, Floor-mount
Waste Outlet:	Floor
Bowl shape:	Elongated front
Flush type:	Flushometer valve siphon
Spud size:	1-1/2", Inlet, Top
Trap passageway:	2-1/8" (54 mm)
Water Consumption	
Full:	1.28 gpf (4.8 lpf) or 1.6 gpf (6 lpf)
Water surface size:	10" x 7" (254 mm x 178 mm)
Rim to water surface:	6" (152 mm)
Rough-in:	11
Seat-mounting holes:	5-1/2" (140 mm)

### Fixture Supply Requirements

Min static pressure:	35 psi (241.3 kPa)
Max static pressure:	80 psi (551.6 kPa)
Min flowing pressure:	25 psi (172.4 kPa)
Min flow rate:	25 gpm (94.6 lpm)

### Notes

Install this product according to the installation instructions.

For back-to-back toilet installations: Use only a 45° double wye fitting.

Requires flushometer valve to match desired water consumption 1.28 gpf (4.8 lpf) or 1.6 gpf (6 lpf).

ADA, OBC, CSA B651 compliant when installed to the specific requirements of these regulations.

Plumbing codes may require elongated toilets and elongated, open-front seats in public bathrooms.

Accessibility standards may require controls to be located on the open side of the toilet.