



Highcliff™ Ultra

Flushometer Bowl, Lugs, Antimicrobial

K-96057-SSL

Features

- Elongated bowl, ADA compliant.
- Bedpan lugs.
- Antimicrobial finish inhibits the growth of mold, mildew, stain and odor causing bacteria on the fixture surface.
- 1-1/2" top spud.
- 10" x 7" water surface size.
- Glazed 2-1/8" trapway.

Material

- Vitreous china.

Technology

- Designed to outperform competitors in bowl cleanliness and plug resistance.
- Maximum waste removal.
- Engineered for toilet seat cover removal.
- Excellent bowl rinse.
- Engineered to flush effectively in buildings with low supply pressure and flow*.

Installation

- 26-1/8" L x 14-5/8" W x 16-5/8" H
- Replaces Highcrest K-4302-L, Highcliff K-4368-L and Highline K-4405-L. Height and footprint may vary.
- 10" or 12" rough-in.

Water Conservation & Rebates

- 1.1 to 1.6 gpf flush range (1.1, 1.28 and 1.6 gpf).
- WaterSense compliant when used with a 1.1 or 1.28 gpf WaterSense flushometer.

Components

Additional included component/s: Spud, and Bolt Cap Accessory Pack.



ADA **CSA B651** **OBC**

Codes/Standards

ASME A112.19.2/CSA B45.1
 DOE - Energy Policy Act 1992
 EPA WaterSense®
 California Energy Commission (CEC)
 ADA
 ICC/ANSI A117.1
 CSA B651
 OBC

KOHLER® One-Year Limited Warranty

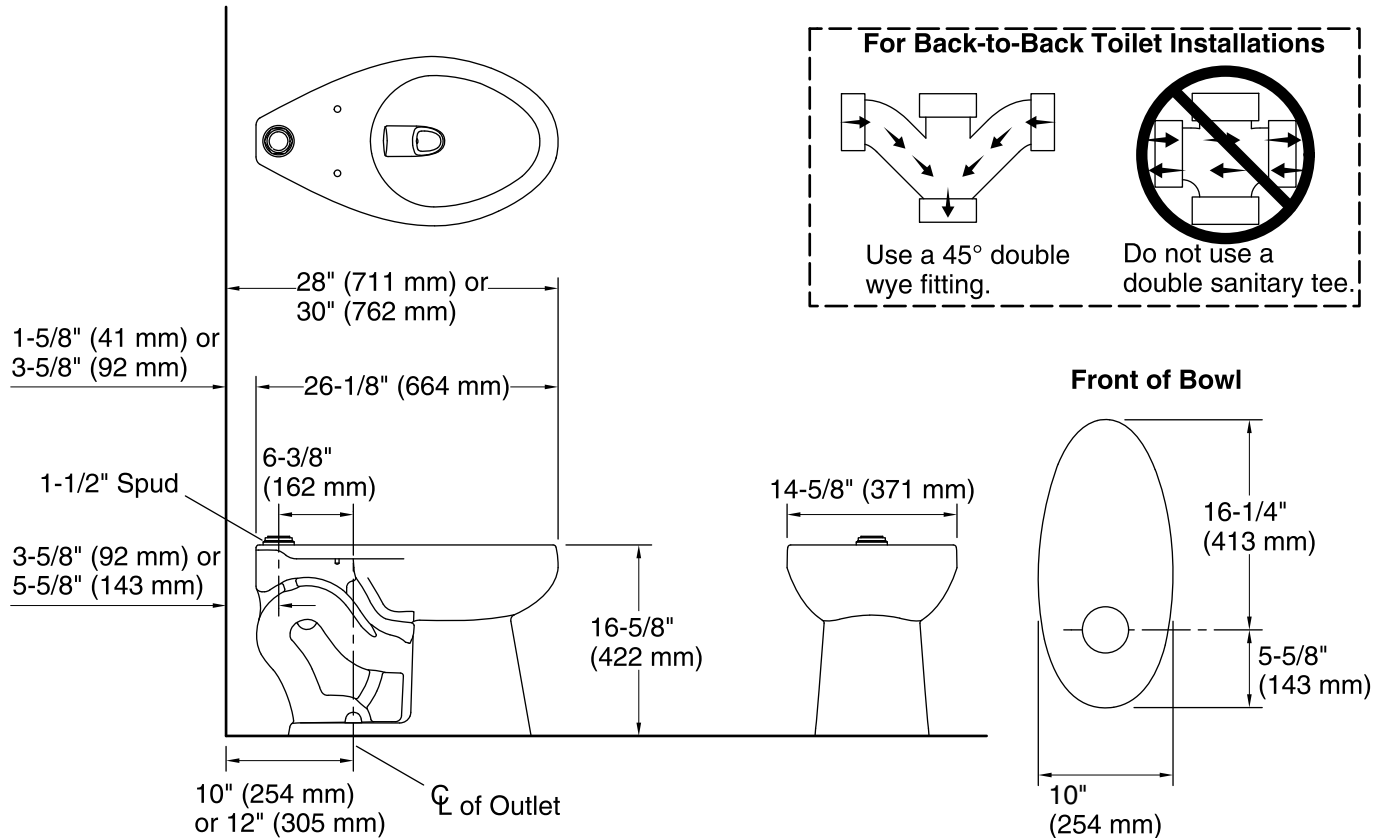
See website for detailed warranty information.

Available Color/Finishes

Color tiles intended for reference only.

Color Code Description

 0 White



Technical Information

All product dimensions are nominal.

Toilet type:	Flushometer, Floor-mount
Waste Outlet:	Floor
Bowl shape:	Elongated front
Flush type:	Flushometer valve siphon
Spud size:	1-1/2", Inlet, Top
Trap passageway:	2-1/8" (54 mm)
Water Consumption	
Full:	1.1 gpf (4.3 lpf) or 1.28 gpf (4.8 lpf) or 1.6 gpf (6 lpf)
Water surface size:	10" x 7" (254 mm x 178 mm)
Rim to water surface:	6" (152 mm)
Rough-in:	12
Seat-mounting holes:	5-1/2" (140 mm)

Fixture Supply Requirements

Min static pressure:	35 psi (241.3 kPa)
Max static pressure:	80 psi (551.6 kPa)
Min flowing pressure:	25 psi (172.4 kPa)
Min flow rate:	25 gpm (94.6 lpm)

Notes

Install this product according to the installation instructions.

For back-to-back toilet installations: Use only a 45° double wye fitting.

Requires flushometer valve to match desired water consumption 1.1 gpf (4.3 lpf) or 1.28 gpf (4.8 lpf) or 1.6 gpf (6 lpf).

ADA, OBC, CSA B651 compliant when installed to the specific requirements of these regulations.

Plumbing codes may require elongated toilets and elongated, open-front seats in public bathrooms.

Accessibility standards may require controls to be located on the open side of the toilet.