



Anglesey™ Comfort Height®

Comfort Height® High Efficiency Bowl

K-4352-SS

Features

- Vitreous china.
- Elongated bowl.
- Comfort Height®.
- 1-1/2" top spud.
- Less seat and supply.
- 2-1/8" (54 mm) glazed trapway.

Technology

- Antimicrobial finish inhibits the growth of mold, mildew, stain and odor causing bacteria on the fixture surface.

Installation

- 4" (102 mm) rough-in.
- Floor-mount rear outlet flushometer bowl.
- 31-1/2" (800 mm) x 14-7/8" (378 mm) x 17" (432 mm).

Water Conservation & Rebates

- 1.28 gpf (4.8 lpf) or 1.6 gpf (6 lpf) depending on flushometer specified.

Included Components

Additional Components:

- Bolt cap accessory pack
- Floor screws and bolt caps
- Spud



ADA **CSA B651** **OBC**

Codes/Standards

- ASME A112.19.2/CSA B45.1
- DOE - Energy Policy Act 1992
- EPA WaterSense®
- California Energy Commission (CEC)
- ADA
- ICC/ANSI A117.1
- CSA B651
- OBC

KOHLER® One-Year Limited Warranty

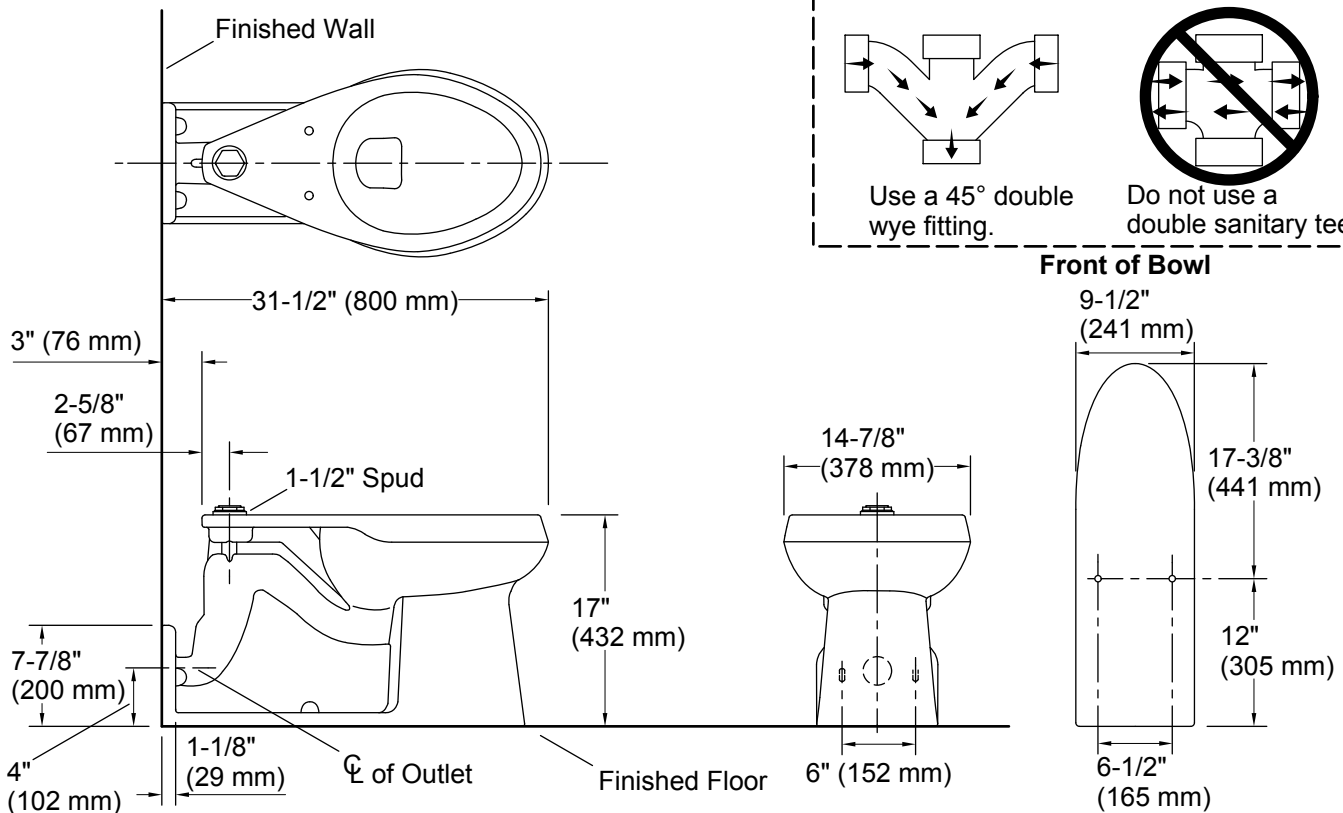
See website for detailed warranty information.

Available Colors/Finishes

Color tiles intended for reference only.

Color	Code	Description
-------	------	-------------

	0	White
--	---	-------



Technical Information

All product dimensions are nominal.

Toilet type:	Flushometer, Floor-mount
Waste Outlet:	Wall
Bowl shape:	Elongated
Flush type:	Siphon jet
Spud size:	1-1/2", Inlet, Top
Trap passageway:	2-1/8" (54 mm)
Water surface size:	12" x 10" (305 mm x 254 mm)
Rim to water surface:	5-7/8" (149 mm)
Rough-in:	4" (102 mm)
Seat-mounting holes:	5-1/2" (140 mm)

Notes

Install this product according to the installation instructions.

For back-to-back installations: Connect the toilet to the vertical stack using a: double fixture fitting, double combination wye and 1/8 bends, or double wye and 1/8 bends.

Refer to manufacturer's instructions and local codes for flushometer requirements.

ADA, OBC, CSA B651 compliant when installed to the specific requirements of these regulations.

Plumbing codes may require elongated toilets and elongated, open-front seats in public bathrooms.

Accessibility standards may require controls to be located on the open side of the toilet.