



### Features

- End drain.
- Textured bottom surface.
- Multiple pump location options give you more choices for installation and access.
- Integral lumbar support and armrests for comfort.
- 20" (508 mm) x 66" (1676 mm) x 42" (1067 mm)

### Material

- Acrylic

### Hydrotherapy

- Single-speed whirlpool offers 6 fully adjustable hydro-massage jets for water flow and direction.
- Built-in 1500W heater.

### Installation

- Drop-in or under-mount.

### Required Accessories

K- 11677 Bath Drain  
738

### Recommended Accessories

K- 24916 Wireless Music Kit  
K- 24916 Wireless Music Kit



### Codes/Standards




ASME A112.19.7/CSA B45.10  
CSA B45.5/IAPMO Z124  
UL 1795  
Greenguard UL 2818 - Gold  
CARB P2

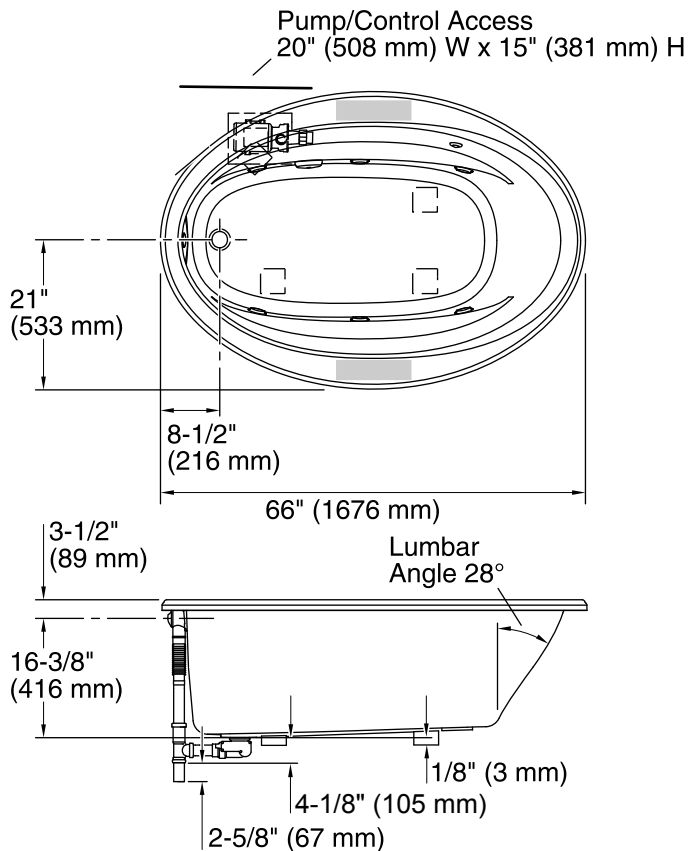
### KOHLER® One-Year Limited Warranty

See website for detailed warranty information.

### Available Color/Finishes

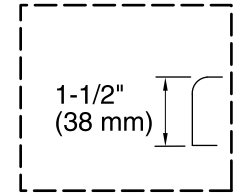
*Color tiles intended for reference only.*

Color	Code	Description
	0	White
	96	Biscuit
	47	Almond

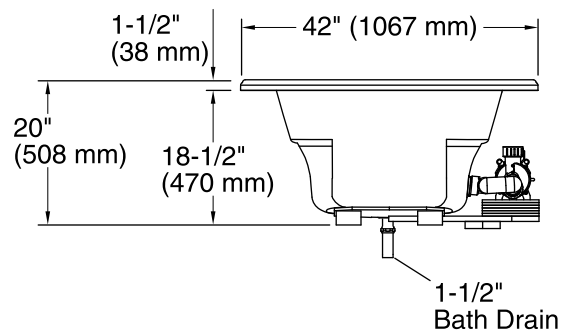


No change in measurements if connected with drain illustrated. (K-37382)

Recommended faucet area



Drop-In Rim Detail



### Required Electrical Service

Two dedicated circuits required, protected with Class A Ground-Fault Circuit-Interrupter (GFCI) or Residual Current Device (RCD).

Pump: 120 V, 15 A, 60 Hz

### Technical Information

All product dimensions are nominal.

Installation:	Drop-in, Under-mount
Drain location:	End
Basin area, bottom:	48-5/8" x 24-1/2" (1235 mm x 622 mm)
Basin area, top:	60" x 32-3/16" (1523 mm x 818 mm)
Minimum floor load:	34 lbs/ft <sup>2</sup> (166 kg/m <sup>2</sup> )
Water depth:	14-5/16" (364 mm)
Water capacity:	70 gal (265 L)
Template:	Drop-in, 1233384-7, not required, included
Electrical component rating:	Pump: 120 V, 7.5 A, 60 Hz Heater: 120 V, 12.5 A, 60 Hz, 1500 W
Pump speed:	Single

### Notes

Measure your actual product for rough-in details.

Install this product according to the installation instructions.

The hot water supply should be 70% of the capacity of the bath or greater. Installations will vary.

Provide one grounded electrical outlet within 24" (610 mm) of each component.