

Features

- 1/2-inch NPT connection.
- Coordinates with other products in the Artifacts® collection.
- 10-11/16" (297 mm) x 2-3/4" (70 mm) x 2-3/4" (70 mm)

Material

- Durable metal construction.



Codes/Standards

None Applicable

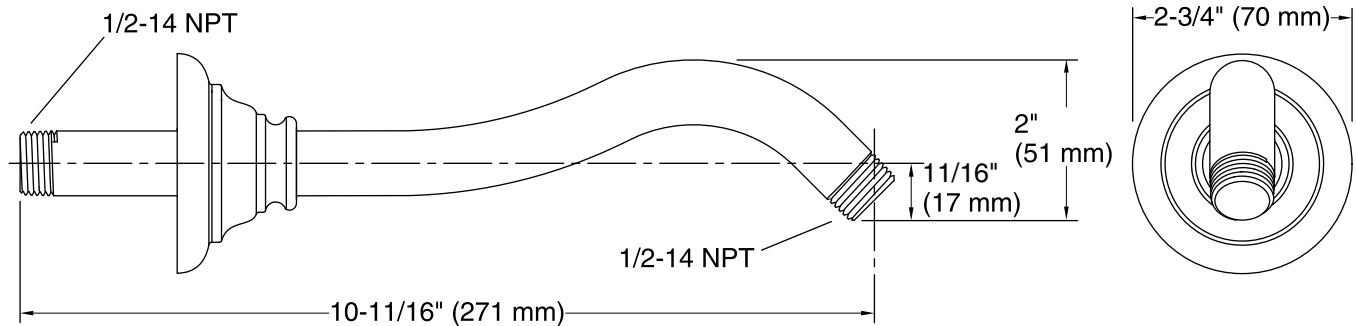
KOHLER® Faucet Lifetime Limited Warranty

See website for detailed warranty information.

Available Color/Finishes

Color tiles intended for reference only.

| Color | Code | Description |
|--|------|--------------------------|
|  | CP | Polished Chrome |
|  | SN | Vibrant® Polished Nickel |
|  | BN | Vibrant® Brushed Nickel |
|  | BV | Vibrant® Brushed Bronze |
|  | 2BZ | Oil-Rubbed Bronze |
|  | VNT | Vintage Nickel |



Technical Information

All product dimensions are nominal.

Notes

Measure your actual product for roughing-in details.

Features

- Includes face plate with metal cross handle.
- Single handle controls both on/off activation and temperature setting.
- Metal cross handle.
- Coordinates with Artifacts faucets and accessories.

Material

- Premium material construction with metal handle ensures reliability and durability.
- KOHLER finishes resist corrosion and tarnishing, exceeding industry durability standards.

Installation

- Trim set requires valve to complete installation.



ADA

Codes/Standards

ASME A112.18.1/CSA B125.1
ADA
ICC/ANSI A117.1

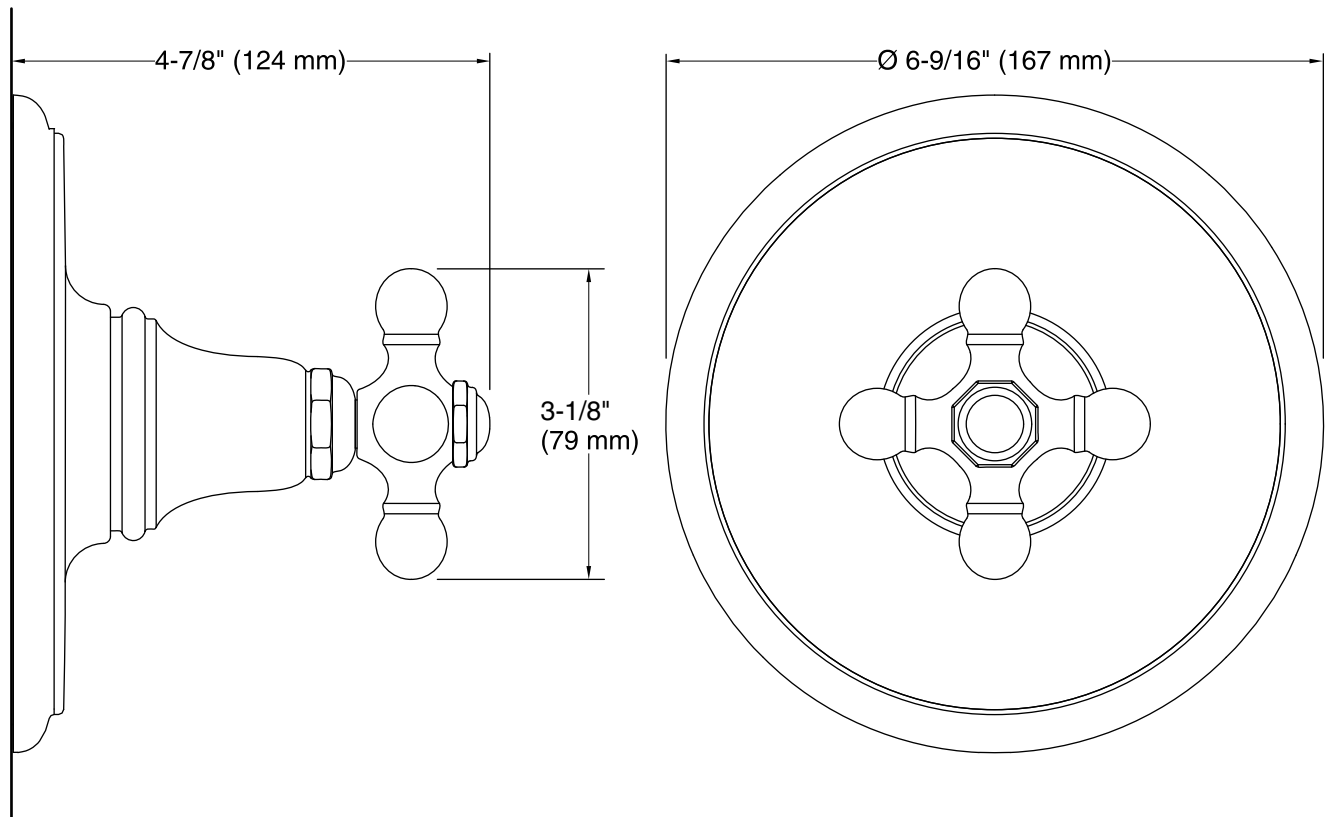
KOHLER® Faucet Lifetime Limited Warranty

See website for detailed warranty information.

Available Color/Finishes

Color tiles intended for reference only.

| Color | Code | Description |
|--|------|--------------------------|
|  | CP | Polished Chrome |
|  | SN | Vibrant® Polished Nickel |
|  | BN | Vibrant® Brushed Nickel |
|  | BV | Vibrant® Brushed Bronze |
|  | 2BZ | Oil-Rubbed Bronze |
|  | VNT | Vintage Nickel |



Technical Information

All product dimensions are nominal.

Notes

Install this product according to the installation instructions.

ADA compliant when installed to the specific requirements of these regulations.

Features

- Katalyst® air-induction technology maximizes the air/water mix for a powerful, even flow.
- Optimized sprayface for maximum performance.
- MasterClean™ sprayface prohibits mineral buildup for easy cleaning.
- 1/2" NPT connection.
- Single-function showerhead with 48 nozzle 5-1/2" (140 mm) diameter sprayface.
- 1.75 gal/min (6.6 l/min) maximum flow rate.
- Showerarm and flange not included.
- Coordinates with other products in the Artifacts collection.

Installation

- Wall-mount

Water Conservation & Rebates

- WaterSense®-labeled 1.75-gpm showerheads use up to 30 percent less water than standard 2.5-gpm showerheads, while still meeting strict performance guidelines.
- This product can help a building earn Water Efficiency points in the LEED® Green Building Rating System.

Recommended Accessories

K-72775 Shower Arm and Flange



Codes/Standards



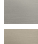
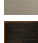

ASME A112.18.1/CSA B125.1
DOE - Energy Policy Act 1992
EPA WaterSense®
California Energy Commission (CEC)

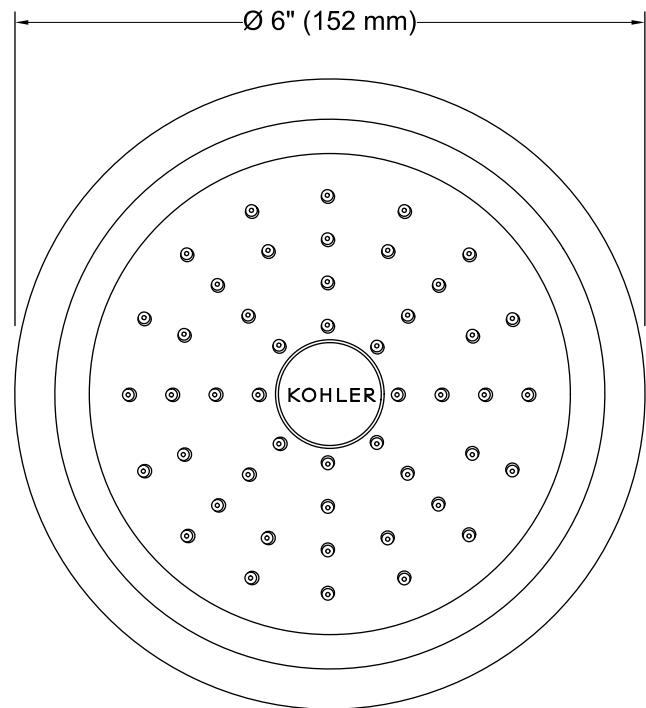
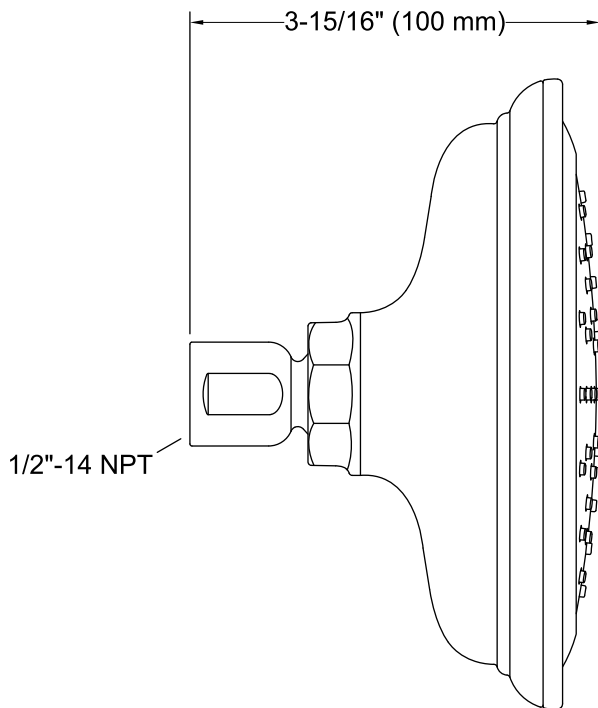
KOHLER® Faucet Lifetime Limited Warranty

See website for detailed warranty information.

Available Color/Finishes

Color tiles intended for reference only.

| Color | Code | Description |
|--|------|--------------------------|
|  | CP | Polished Chrome |
|  | SN | Vibrant® Polished Nickel |
|  | BN | Vibrant® Brushed Nickel |
|  | BV | Vibrant® Brushed Bronze |
|  | 2BZ | Oil-Rubbed Bronze |



Technical Information

All product dimensions are nominal.

Showerhead/Body Spray:

Rated maximum flow: 1.75 gal/min (6.6 l/min)

Pressure: 80 psi (5.5 bar)

Notes

For use with automatic compensating valves rated at 1.4 gal/min (5.3 l/min) or less.

Install this product according to the installation instructions.