



# Verdera® | K-99011-TLC

40" x 30" lighted medicine cabinet

## Features

- Three-way adjustable soft-close door hinges for easy cabinet access
- Internal LED light guides provide optimally bright bathroom vanity lighting for grooming tasks
- Brightness at 2200 lumens ensures consistent lighting with no hot spots or dark spots. Produces 65 lumens per watt
- Approx. 3000 Kelvin light appearance delivers a neutral light ideal for overall bathroom aesthetics as well as tasks
- Minimum 90 CRI (color rendering index) lets you see yourself in the truest light for makeup application, grooming, and skin care
- Integrated LED bulbs have an estimated life expectancy of 59,000 hours
- Compatible with wall-mount LED dimmers (not included), which allow you to control lighting from multiple locations in the space
- Pivoting side panels allow you to direct light for specific tasks
- Internal aluminum shelf has two electrical outlets for powering small devices such as toothbrushes and shavers
- Front mirror, inside door mirror, and back panel mirror provide superior visibility to make grooming easier
- Nine adjustable tempered-glass shelves



## Available Colors/Finishes

*Color tiles intended for reference only.*

<sup>NA</sup> NA Not Applicable



1-800-4KOHLER (1-800-456-4537)

Kohler Co. reserves the right to make revisions without notice to product specifications.

For the most current specification sheet, go to [www.kohler.com](http://www.kohler.com) USA or [www.kohler.ca](http://www.kohler.ca) Canada.

4-15-2026 4:42 - US-CA

THE BOLD LOOK  
OF **KOHLER**®

---

## Codes/Standards

CA Title 24 JA8  
cUL Listed  
UL Listed

---

## Warranty

See website for detailed warranty information.

KOHLER® One-Year Limited Warranty

---

## Technical Information

*All product dimensions are nominal.*

Lighting Included: Yes  
Mirror Type: Polished Edge

### Cutout

Width: 39-1/2" (1003 mm)  
Height: 28-1/4" (718 mm)  
Depth: 3-11/16" (94 mm)

---

## Material

- Anodized aluminum construction with a durable rustproof and chip-resistant finish
- 

## Recommended Products/Accessories

K-23723 Faucet cleaner

---

## Required Electrical Service

One circuit required, protected with Class A Ground-Fault Circuit-Interrupter (GFCI). Outside North America, this device may be known as a Residual Current Device (RCD).

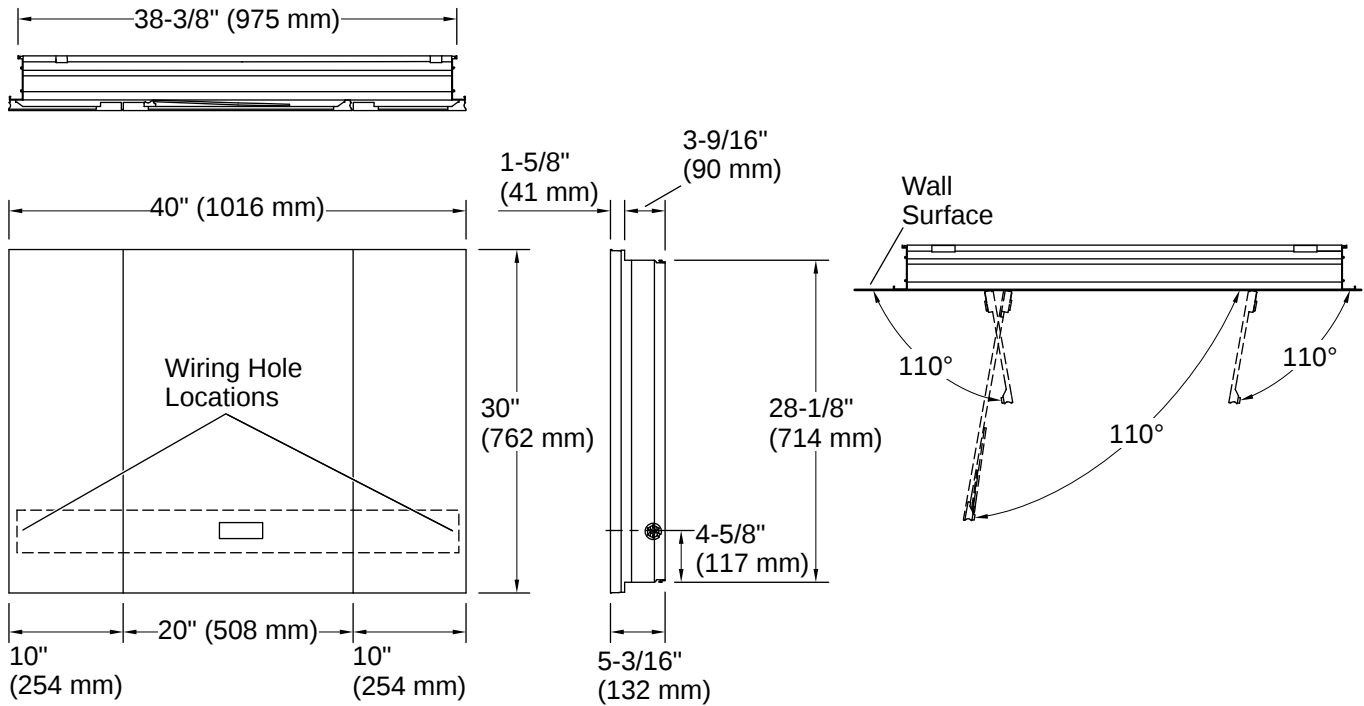
Outlet, Lights: 120 V, 15 A, 60 Hz

## Electrical Component Ratings

Outlet: 120 V, 15 A, 60 Hz  
LED: 120 V, 0.4 A, 60 Hz, 2200 Lumens

---





## Installation

- Installation with center door hinge on left
- Recommend professional electrician installation
- Side kits for surface-mount installation sold separately
- Hang-and-secure mounting system for easier surface-mount installation
- Includes mounting hardware for surface or recessed installation

## Installation Notes

*Install this product according to the installation instructions.*

To recess mount, the wall cavity must be framed and the cabinet secured to framing studs. Reroute electrical or water supply lines from the cavity. Consult a professional if drain or vent piping is encountered, or if the wall is load-bearing.

To determine the height of the cabinet, ensure the door will clear all obstacles (such as a faucet). A minimum 3" (76 mm) distance is required.

