

Features

- 6-11/16" (170 mm) spout reach.
- Tall Tube Spout.
- 1.2 gal/min (4.5 l/min) maximum flow rate [max at 60 psi (4.14 bar)].
- Coordinate with your choice of Components widespread lavatory handles for a personalized design.
- Includes metal touch-activated drain with 1-1/4" tailpiece.
- Ideal for vessel applications.
- Coordinates with Components faucets, accessories, and showering components to complete your bathroom.

Material

- Premium Metal Construction.
- KOHLER finishes resist corrosion and tarnishing.

Installation

- For 8" (203 mm) or 16" (406 mm) centers.
- Widespread or Remote Valve.

Required Accessories

- K-77974-4 Widespread Bathroom Sink Faucet Handles
- or
- K-77974-8 Widespread Bathroom Sink Faucet Handles
- or
- K-77974-9 Widespread Bathroom Sink Faucet Handles
- or
- K-77963-8A Remote Valve Bathroom Sink Faucet Handle



Codes/Standards



ASME A112.18.1/CSA B125.1
NSF/ANSI 61
NSF/ANSI 372
All applicable US Federal and State material regulations
DOE - Energy Policy Act 1992
EPA WaterSense®
California Energy Commission (CEC)

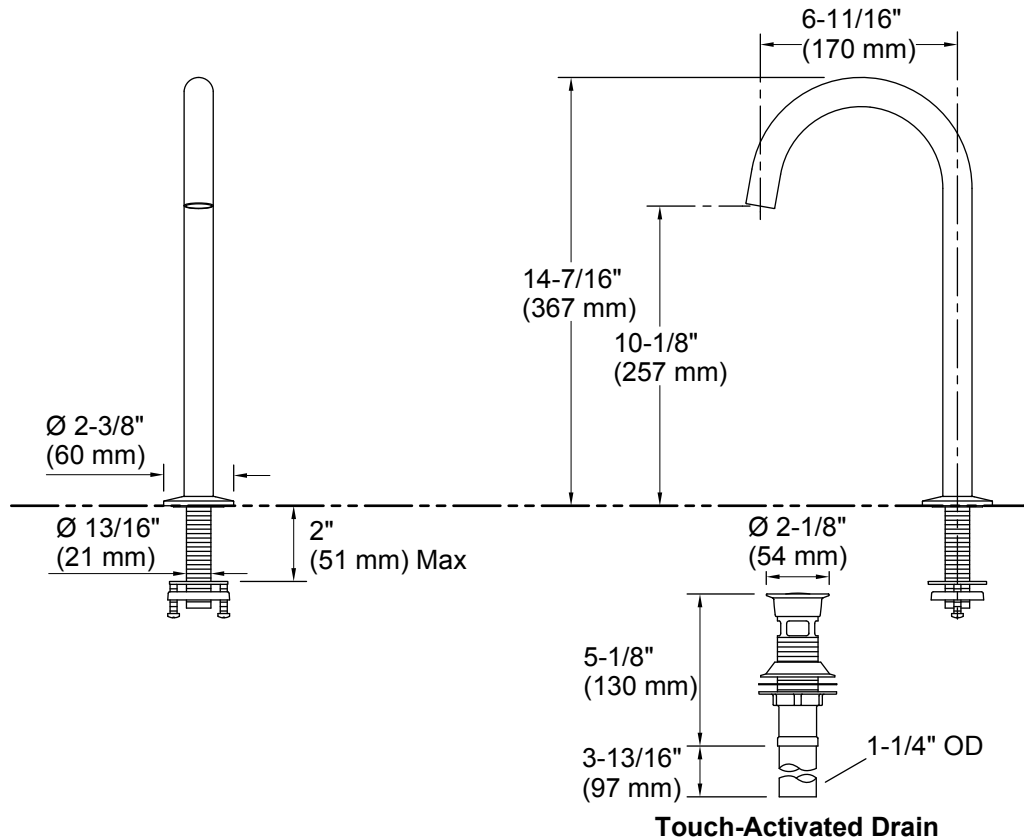
KOHLER® Faucet Lifetime Limited Warranty

See website for detailed warranty information.

Available Color/Finishes

Color tiles intended for reference only.

Color	Code	Description
	CP	Polished Chrome
	BL	Matte Black
	3TR	Vibrant® Ombré Titanium/Rose Gold (3TR)
	3RS	Vibrant® Ombré Rose Gold/Polished Nickel (3RS)



Technical Information

All product dimensions are nominal.

Faucet:

Flow rate: 1.2 gal/min (4.5 l/min)

Pressure: 60 psi (4.1 bar)

Spout:

Spout reach: 6-11/16" (170 mm)

Notes

Install this product according to the installation instructions.