

Features

- With hanger.
- With overflow.
- 4" (102 mm) centers.
- Slab type wall-mount lavatory.

Material

- Vitreous china.

Technology

- Antimicrobial finish inhibits the growth of mold, mildew, stain and odor causing bacteria on the fixture surface.

Installation

- Drilled for concealed arm carrier.
- Wall-mount

Optional Accessories

K-8998 P-Trap



ADA CSA B651 OBC

Codes/Standards

ASME A112.19.2/CSA B45.1
ADA
ICC/ANSI A117.1
CSA B651
OBC

KOHLER® One-Year Limited Warranty

See website for detailed warranty information.

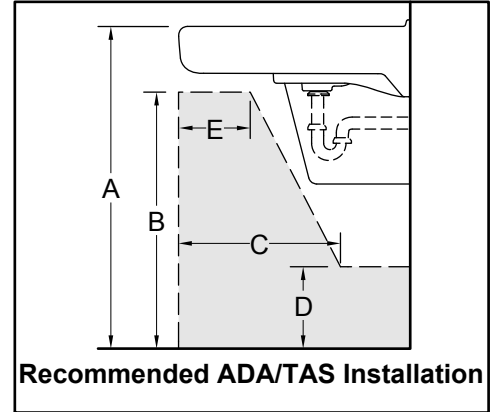
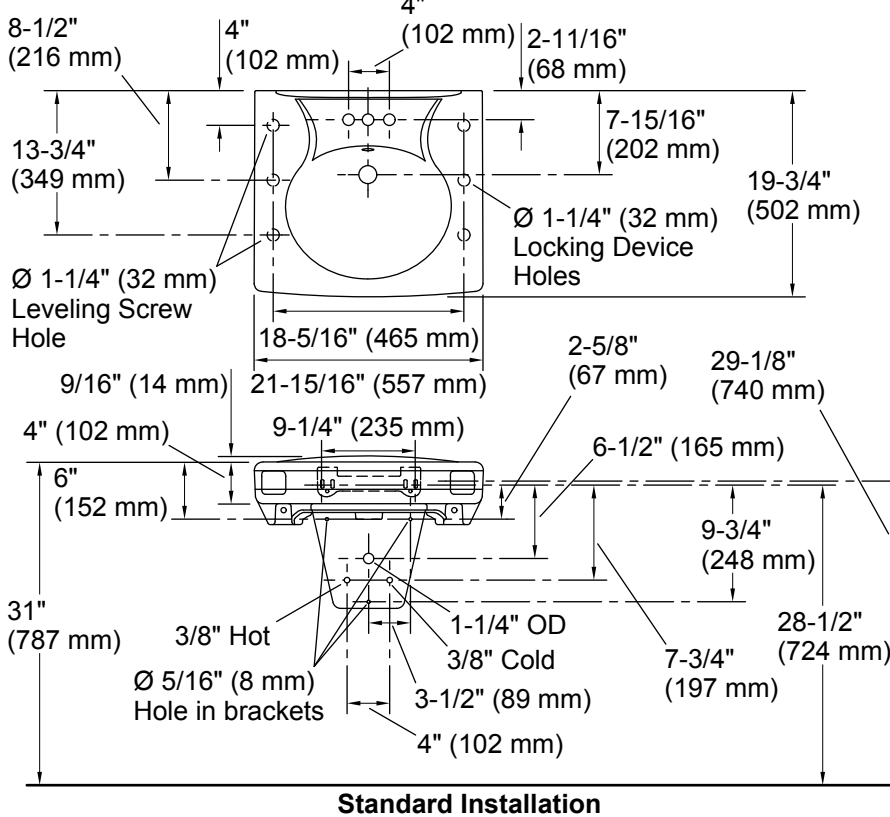
Available Color/Finishes

Color tiles intended for reference only.

| Color | Code | Description |
|-------|------|-------------|
|-------|------|-------------|

| | | |
|--|---|-------|
|  | 0 | White |
|--|---|-------|

Concealed Arm Hole Location



Recommended ADA/TAS installation:

| | ADA and TAS | Children's Environment ADA and TAS Ages 6-12 yrs |
|---|--------------|--|
| A | 34" (864 mm) | 31" (787 mm) |
| B | 27" (686 mm) | 24" (610 mm) |
| C | 11" (279 mm) | 11" (279 mm) |
| D | 9" (229 mm) | 9" (229 mm) |
| E | 8" (203 mm) | 8" (203 mm) |

Technical Information

All product dimensions are nominal.

Installation: Wall-mount

Bowl area: Length: 14-3/8" (365 mm)
Width: 12-5/16" (313 mm)
Water depth: 3-1/4" (83 mm)

Number of deck holes: 3

Faucet hole(s): 1-3/8" (35 mm)

Drain hole: 1-3/4" (44 mm)

Notes

Install this product according to the installation instructions.

ADA and TAS standards permit parallel approach for children ages 5 years and younger.

ADA, OBC, CSA B651 compliant when installed to the specific requirements of these regulations.