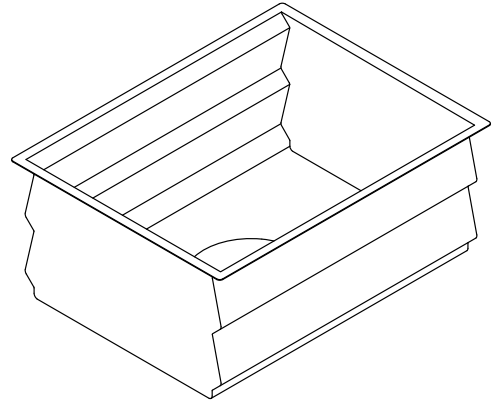


## Features

- Single bowl
- 10" (254 mm) depth provides generous workspace
- Three graduated ledges in basin allow you to place accessories at your preferred height
- Accessories stack and slide on ledges for a custom arrangement
- Beveled cone-shape basin slopes into drain, easily disposing debris
- Works with all standard countertop thicknesses. Pairs best with 30 mm countertop thickness if a flush surface between counter and cutting board is desired
- Secondary sink or primary sink application
- Beveled cone-shape basin slopes into drain, easily disposing debris
- Includes two durable dishwasher-safe grated racks that provide a convenient shelf for drying, rinsing, and defrosting
- Includes bamboo cutting board, two multipurpose grated racks, colander, and wash bin
- Includes installation hardware
- Sink drain with strainer sold separately
- Also available: Medium size cutting board 10"x16" - covers half the sink



## Codes/Standards

ASME A112.19.3/CSA B45.4

## KOHLER® Stainless Steel Sinks Lifetime Limited Warranty

See website for detailed warranty information.

## Material

- Fabricated 18-gauge stainless steel

## Installation

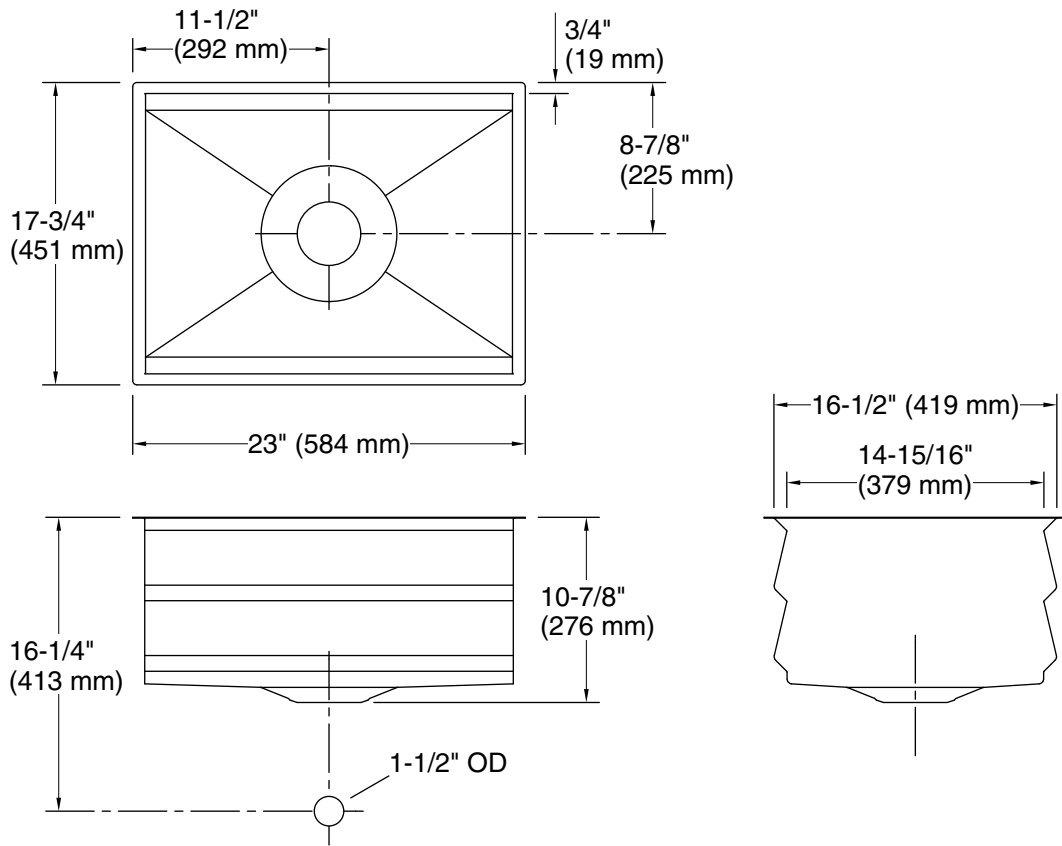
- Undermount
- Minimum base cabinet width: 24"-27" (24" may require cabinet modifications)

## Recommended Products/Accessories

- K-8801 Sink drain and strainer with tailpiece
- K-8799 Sink drain and strainer basket
- K-23726 Drain treatment
- K-23729 Stainless steel cleaner
- K-11352 Disposal Flange with Stopper
- K-5541 Bamboo Cutting Board

## Included Components

- K-23680 Large Bamboo Cutting Board
- K-5542 Multipurpose grated rack
- K-5544 Colander and wash bin



## Technical Information

All product dimensions are nominal.

|                          |  |
|--------------------------|--|
| Installation:            | Undermount   |
| Min. base cabinet width: | 24" (610 mm)   |
| Bowl area (Only):        | Length: 21-1/2" (546 mm)<br>Width: 14-15/16" (379 mm)<br>Bowl depth: 9-15/16" (252 mm)<br>Water depth: 9-15/16" (252 mm) |
| Drain hole:              | 3-3/4" (94 mm)   |
| Template:                | Undermount, 1311445-7, required, included  |

## Notes

Install this product according to the installation instructions.

Countertop manufacturer or cutter must use the cut-out template provided with the product, or a current one provided by Kohler Co. (call 1-800-43-FOCUS). Kohler Co. is not responsible for cut-out errors when the incorrect cut-out template is used.