



Iron Plains®

12" round drop-in/undermount/vessel bathroom sink
with Iron Black painted underside
K-20211-P5

Features

- Small round basin
- No faucet holes; requires wall- or counter-mount faucet
- Overflow drain

Material

- KOHLER® enameled cast iron
- Painted underside in Iron Black

Installation

- Vessel, drop-in, or undermount

Recommended Products/Accessories

K-23726 Drain treatment
K-23725 Cast iron cleaner



ADA

CSA B651

OBC

Codes/Standards

ASME A112.19.1/CSA B45.2

ADA

ICC/ANSI A117.1

CSA B651

OBC

IAPMO Certification

KOHLER® Enameled Cast Iron Kitchen and Bathroom Sink Lifetime Limited Warranty

See website for detailed warranty information.

1-800-4KOHLER (1-800-456-4537)

Kohler Co. reserves the right to make revisions without notice to product specifications.

For the most current Specification Sheet, go to www.kohler.com USA or www.kohler.ca Canada

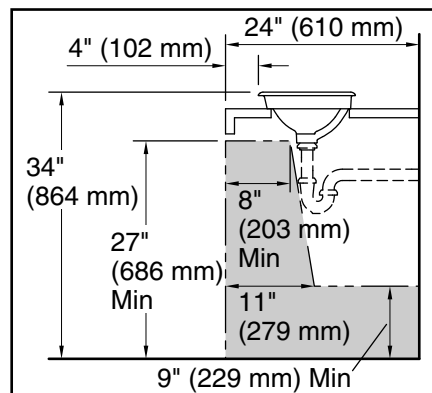
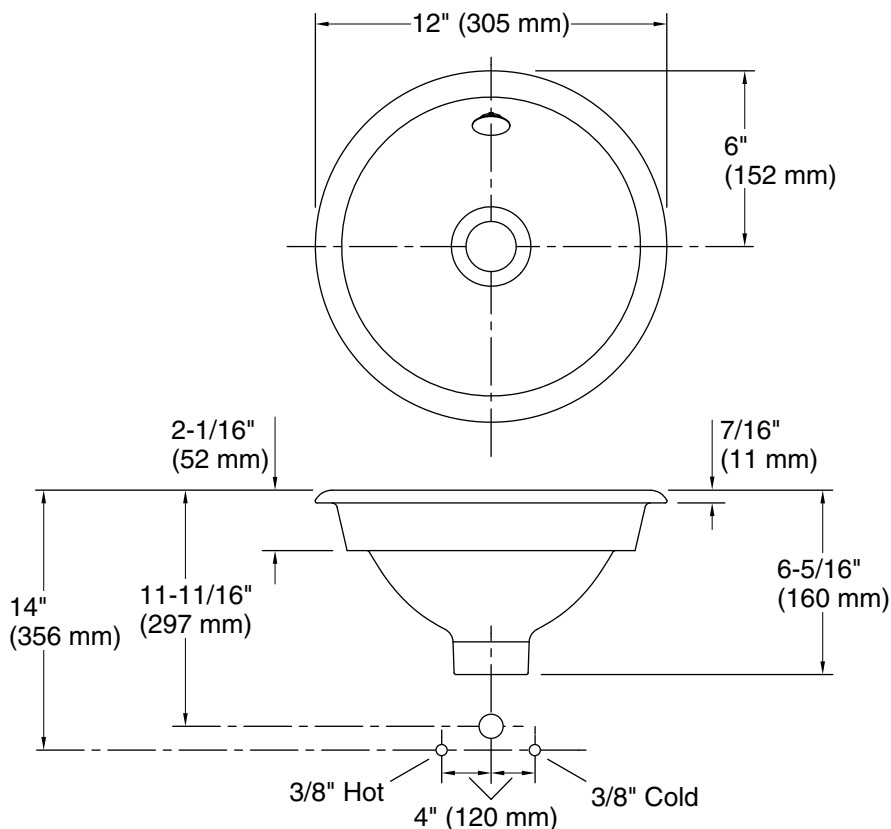
10-3-2024 00:11 - US/CA

THE BOLD LOOK
OF **KOHLER®**

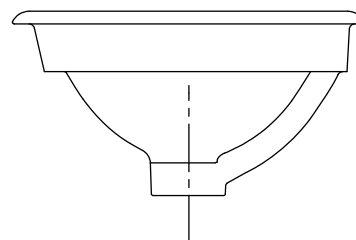


Iron Plains®

12" round drop-in/undermount/vessel bathroom sink
with Iron Black painted underside
K-20211-P5



Recommended ADA Installation



Technical Information

All product dimensions are nominal.

- Bowl configuration: Single Bowl
- Bowl area (Only): Length: 10-3/16" (259 mm)
Width: 10-3/16" (259 mm)
Bowl depth: 4-1/2" (115 mm)
- With overflow: Yes
- Drain hole: 1-3/4" (44 mm)
- Template: 1319047-7, required, included

Notes

Install this product according to the installation instructions.

NOTICE: Countertop manufacturer or cutter must use the cut-out template provided with the product, or a current one provided by Kohler Co. (call 1-800-4-KOHLER). Kohler Co. is not responsible for cutout errors when the incorrect cut-out template is used.

ADA, OBC, CSA B651 compliant when installed to the specific requirements of these regulations.