

Features

- Joystick handle allows for both on/off actuation and temperature setting.
- KOHLER ceramic disc valves exceed industry longevity standards over two times for a lifetime of durable performance.
- Temperature memory allows faucet to be turned on and off at any temperature setting.
- Pair with Composed faucets, accessories and showering components to coordinate a full bathroom.
- 1.2 gal/min (4.5 l/min) maximum flow rate [max at 60 psi (4.1 bar)]

Material

- Premium metal construction.
- Durable KOHLER finishes resist corrosion and tarnishing.

Installation

- Flexible supply connections for easy installation.
- Single-hole mounting.
- Not for use on sinks with centerset drillings.
- Tall-height for vessel sink applications.



ADA CSA B651 OBC

Codes/Standards



ASME A112.18.1/CSA B125.1
NSF/ANSI 61
NSF/ANSI 372
All applicable US Federal and State material regulations
DOE - Energy Policy Act 1992
EPA WaterSense®
California Energy Commission (CEC)
ADA
ICC/ANSI A117.1
CSA B651
OBC

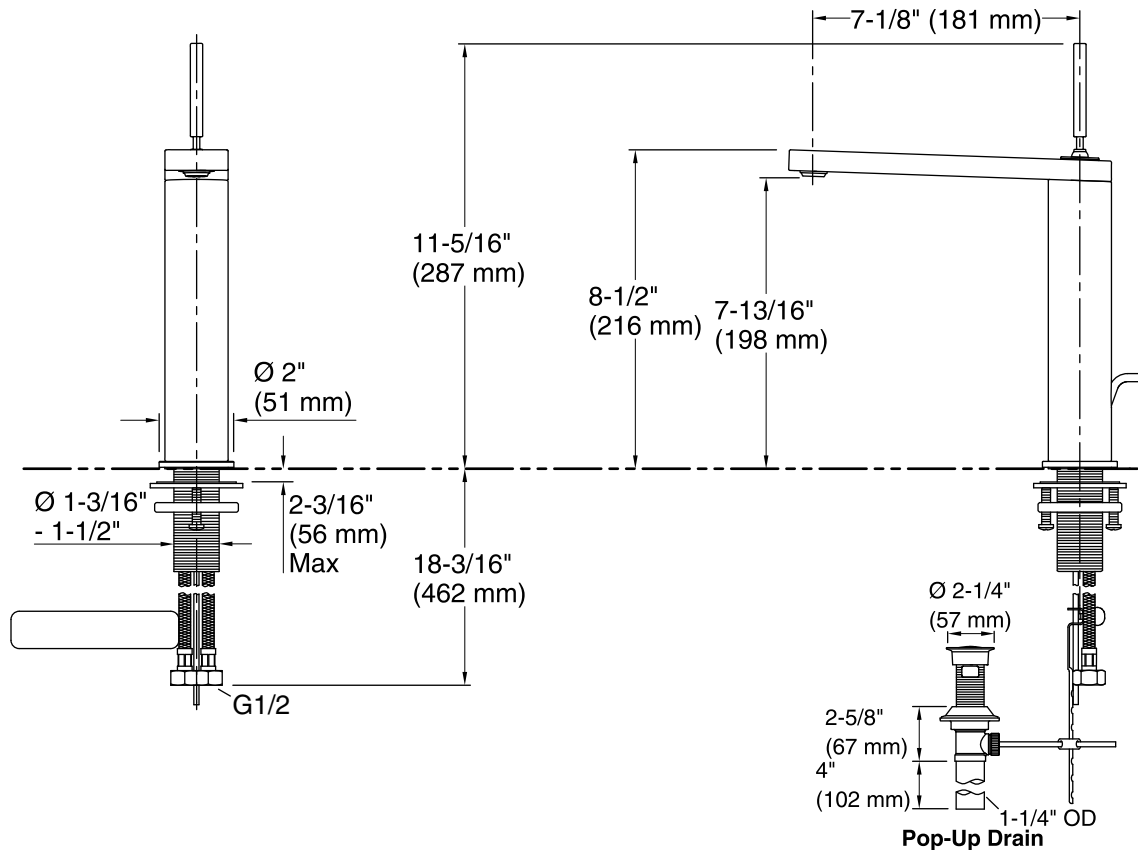
KOHLER® Faucet Lifetime Limited Warranty

See website for detailed warranty information.

Available Color/Finishes

Color tiles intended for reference only.

Color	Code	Description
	CP	Polished Chrome
	TT	Titanium



Technical Information

All product dimensions are nominal.

Faucet:

Flow rate:	1.2 gal/min (4.5 l/min)
Pressure:	60 psi (4.1 bar)
Valve body:	Cast Brass
Drain with overflow:	YES
Drain tailpiece included:	YES

Spout:

Spout reach:	7-1/8" (181 mm)
--------------	-----------------

Notes

Install this product according to the installation guide.

ADA, OBC, CSA B651 compliant when installed to the specific requirements of these regulations.