

Features

- Real Rain Diverter Valve system actuates Real Rain's Deluge function delivering approximately 0.5 gallons in eight seconds.

Material

- Valve is a forged brass body.

Installation

- Real Rain Diverter Valve is designed to be in-line between the shower valve and Real Rain Panel.

Required Accessories

- K-76728 Overhead Panel
- K-76732 Overhead Panel Trim
- K-76748 Diverter Valve Trim

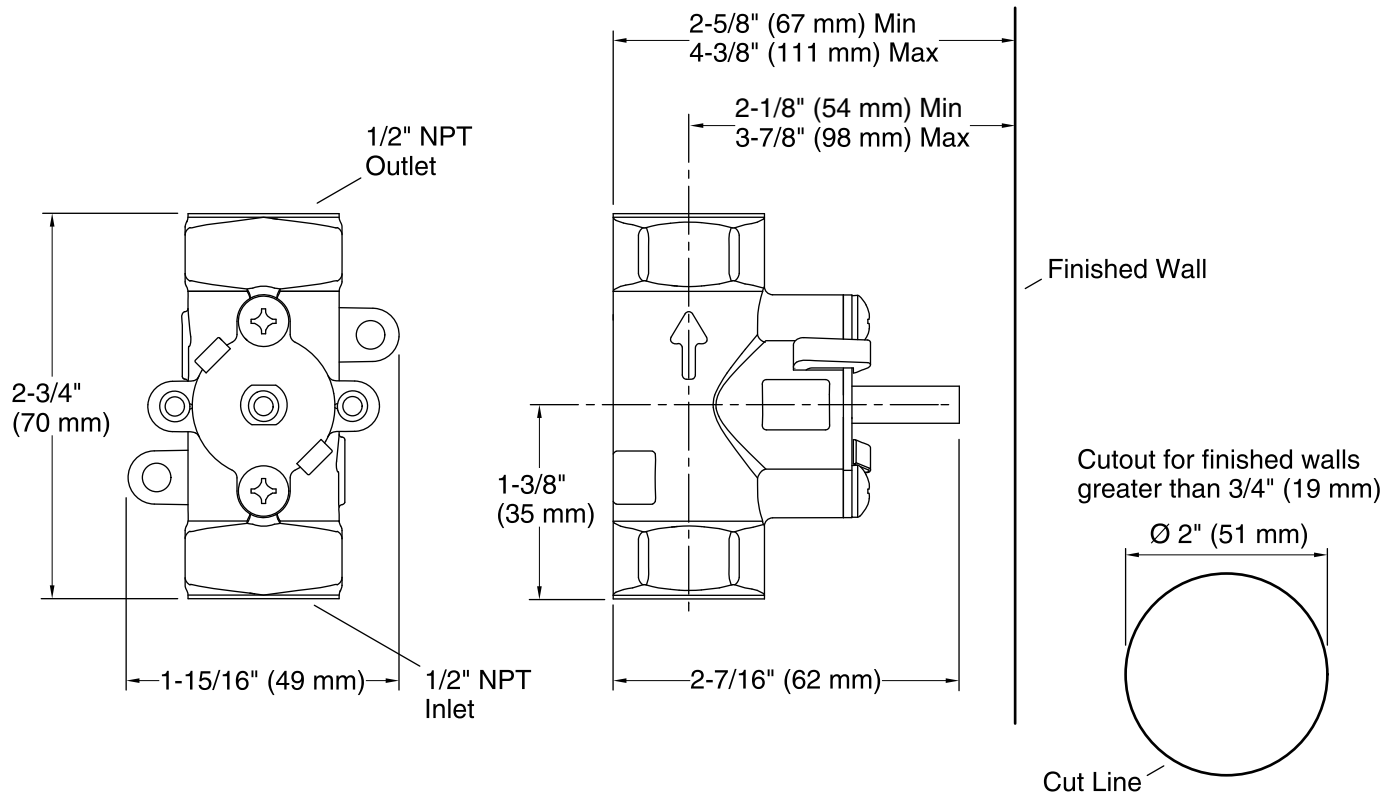


Codes/Standards

ASME A112.18.1/CSA B125.1

KOHLER® Faucet Lifetime Limited Warranty

See website for detailed warranty information.



Technical Information

All product dimensions are nominal.

Notes

Install this product according to the installation instructions.