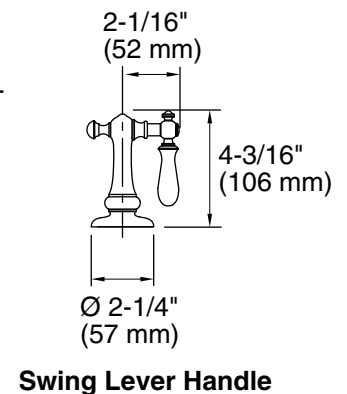
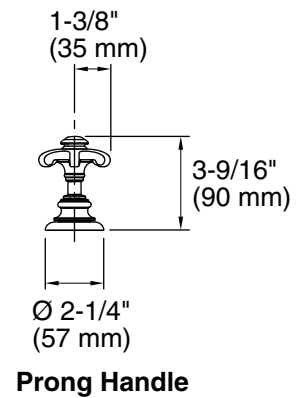
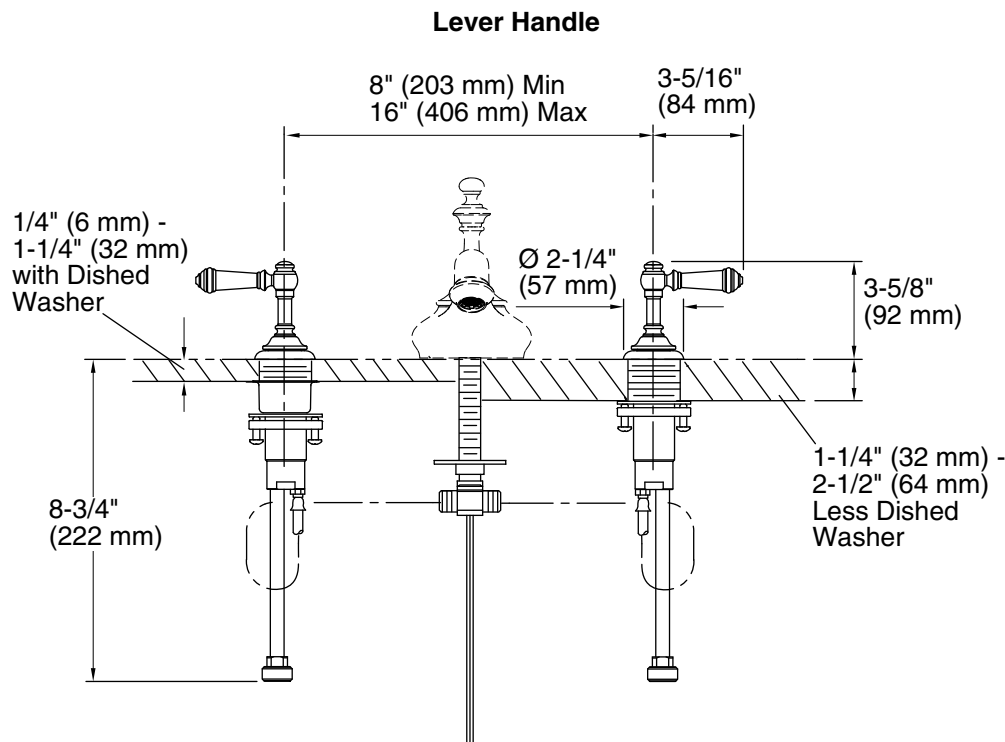


Product Information

Applicable product:	
Widespread bathroom sink faucet handles - prong (pair)	K-98068-3M
Widespread bathroom sink faucet handles - lever (pair)	K-98068-4
Widespread bathroom sink faucet handles - swing lever (pair)	K-98068-9M
Handles are ADA compliant. ADA	

Installation Notes

Install this product according to the installation guide.



Features

- Metal construction.
- Brass valve bodies.
- Quarter-turn washerless ceramic disc valves.
- Handles are ADA compliant.
- For 8" (203 mm) or 16" (406 mm) centers.

Required Accessories

- K-72758 Widespread Bathroom Sink Spout
or
K-72759 Widespread Bathroom Sink Spout
or
K-72760 Widespread Bathroom Sink Spout



ADA CSA B651 OBC

Codes/Standards

ASME A112.18.1/CSA B125.1
NSF 61
NSF 372
All applicable US Federal and State material regulations
ADA
ICC/ANSI A117.1
CSA B651
OBC

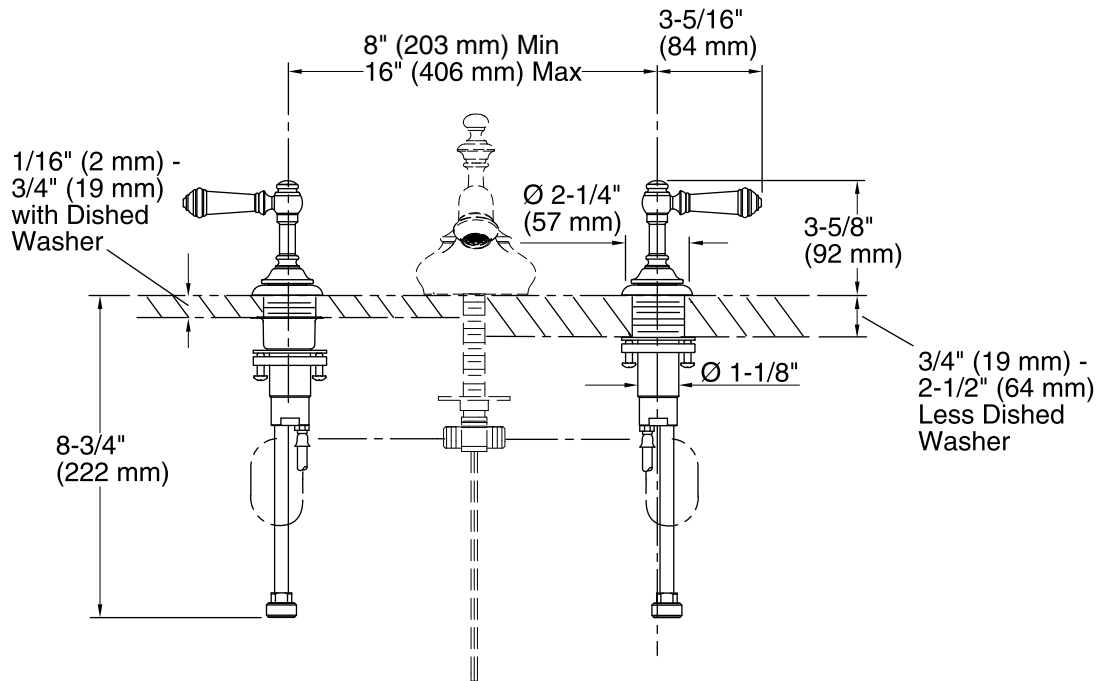
KOHLER® Faucet Lifetime Limited Warranty

See website for detailed warranty information.

Available Color/Finishes

Color tiles intended for reference only.

Color	Code	Description
	CP	Polished Chrome
	SN	Vibrant® Polished Nickel
	BN	Vibrant® Brushed Nickel
	BV	Vibrant® Brushed Bronze
	2BZ	Oil-Rubbed Bronze
	VNT	Vintage Nickel



Technical Information

All product dimensions are nominal.

Notes

Install this product according to the installation guide.

ADA, OBC, CSA B651 compliant when installed to the specific requirements of these regulations.

Features

- 6 1/16" spout reach
- Includes metal touch-activated drain
- 1.2 gal/min (4.5 l/min) maximum flow rate [max at 60 psi (4.14 bar)]
- Coordinate with Artifacts faucets, accessories, and showering components to complete your bathroom
- Handles sold separately

Material

- KOHLER finishes resist corrosion and tarnishing
- Premium Metal Construction

Installation

- Widespread

Required Accessories

K-98068-4 Widespread Bathroom Sink Faucet Handles

or

K-98068-3M Widespread Bathroom Sink Faucet Handles

or

K-98068-9M Widespread Bathroom Sink Faucet Handles

or

K-98068-3 Widespread Bathroom Sink Faucet Handles



ADA

Codes/Standards

ASME A112.18.1/CSA B125.1

NSF 61

NSF 372

All applicable US Federal and State material regulations

DOE - Energy Policy Act 1992

EPA WaterSense®

California Energy Commission (CEC)

ADA





ICC/ANSI A117.1

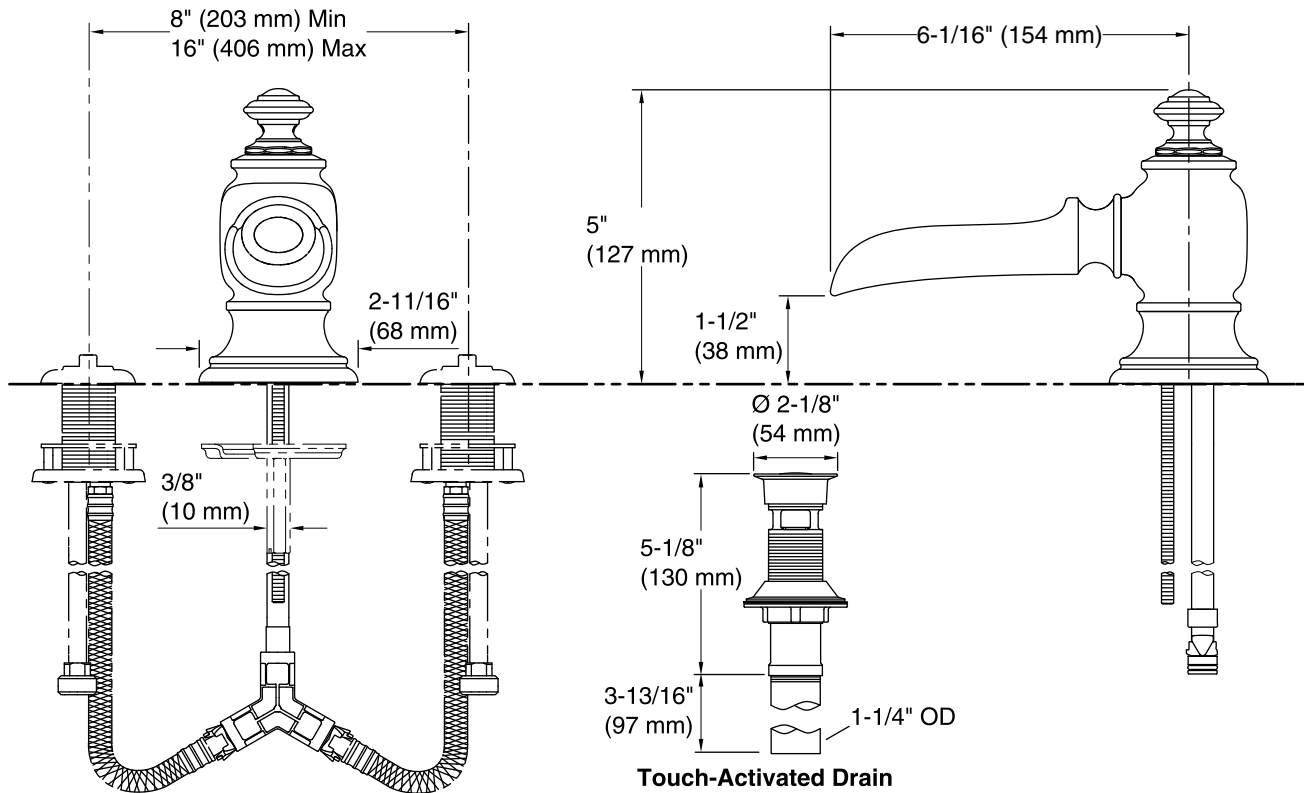
KOHLER® Faucet Lifetime Limited Warranty

See website for detailed warranty information.

Available Color/Finishes

Color tiles intended for reference only.

Color	Code	Description
	CP	Polished Chrome
	SN	Vibrant® Polished Nickel
	BN	Vibrant® Brushed Nickel
	BV	Vibrant® Brushed Bronze



Technical Information

All product dimensions are nominal.

Faucet:

Flow rate: 1.2 gal/min (4.5 l/min)

Pressure: 60 psi (4.1 bar)

Notes

Install this product according to the installation instructions.

ADA compliant when installed to the specific requirements of these regulations.