

Features

- Brass valve bodies.
- Quarter-turn washerless ceramic disc valves.
- Handles are ADA compliant.
- For 8" (203 mm) or 16" (406 mm) centers.

Material

- Premium metal construction.

Required Accessories

- K-72758 Widespread Bathroom Sink Spout
or
- K-72759 Widespread Bathroom Sink Spout
or
- K-72760 Widespread Bathroom Sink Spout



ADA

Codes/Standards

ASME A112.18.1/CSA B125.1
NSF 61
NSF 372
All applicable US Federal and State material regulations
ADA
ICC/ANSI A117.1




KOHLER® Faucet Lifetime Limited Warranty

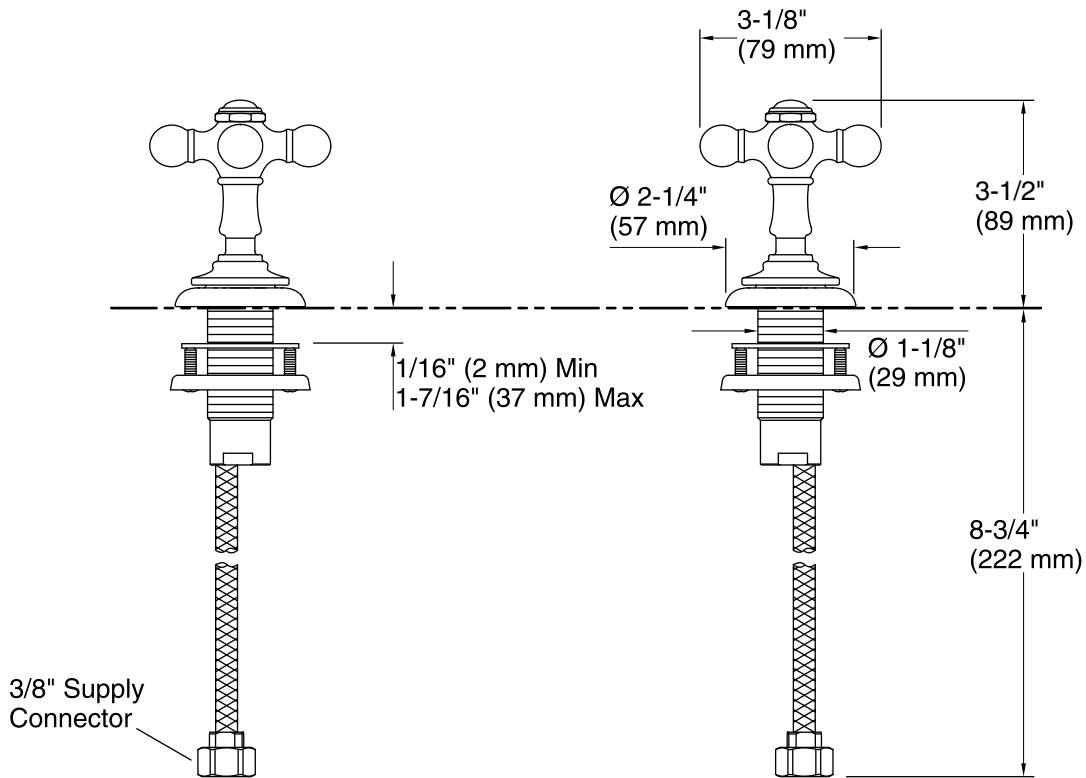
See website for detailed warranty information.

Available Color/Finishes

Color tiles intended for reference only.

Color	Code	Description
-------	------	-------------

	CP	Polished Chrome
	SN	Vibrant® Polished Nickel
	BN	Vibrant® Brushed Nickel



Technical Information

All product dimensions are nominal.

Notes

Install this product according to the installation instructions.

ADA compliant when installed to the specific requirements of these regulations.

Features

- 6 1/16" spout reach
- Includes metal touch-activated drain
- 1.2 gal/min (4.5 l/min) maximum flow rate [max at 60 psi (4.14 bar)]
- Coordinate with Artifacts faucets, accessories, and showering components to complete your bathroom
- Handles sold separately

Material

- KOHLER finishes resist corrosion and tarnishing
- Premium Metal Construction

Installation

- Widespread

Required Accessories

K-98068-4 Widespread Bathroom Sink Faucet Handles

or

K-98068-3M Widespread Bathroom Sink Faucet Handles

or

K-98068-9M Widespread Bathroom Sink Faucet Handles

or

K-98068-3 Widespread Bathroom Sink Faucet Handles



ADA

Codes/Standards

ASME A112.18.1/CSA B125.1

NSF 61

NSF 372

All applicable US Federal and State material regulations

DOE - Energy Policy Act 1992

EPA WaterSense®

California Energy Commission (CEC)

ADA



ICC/ANSI A117.1

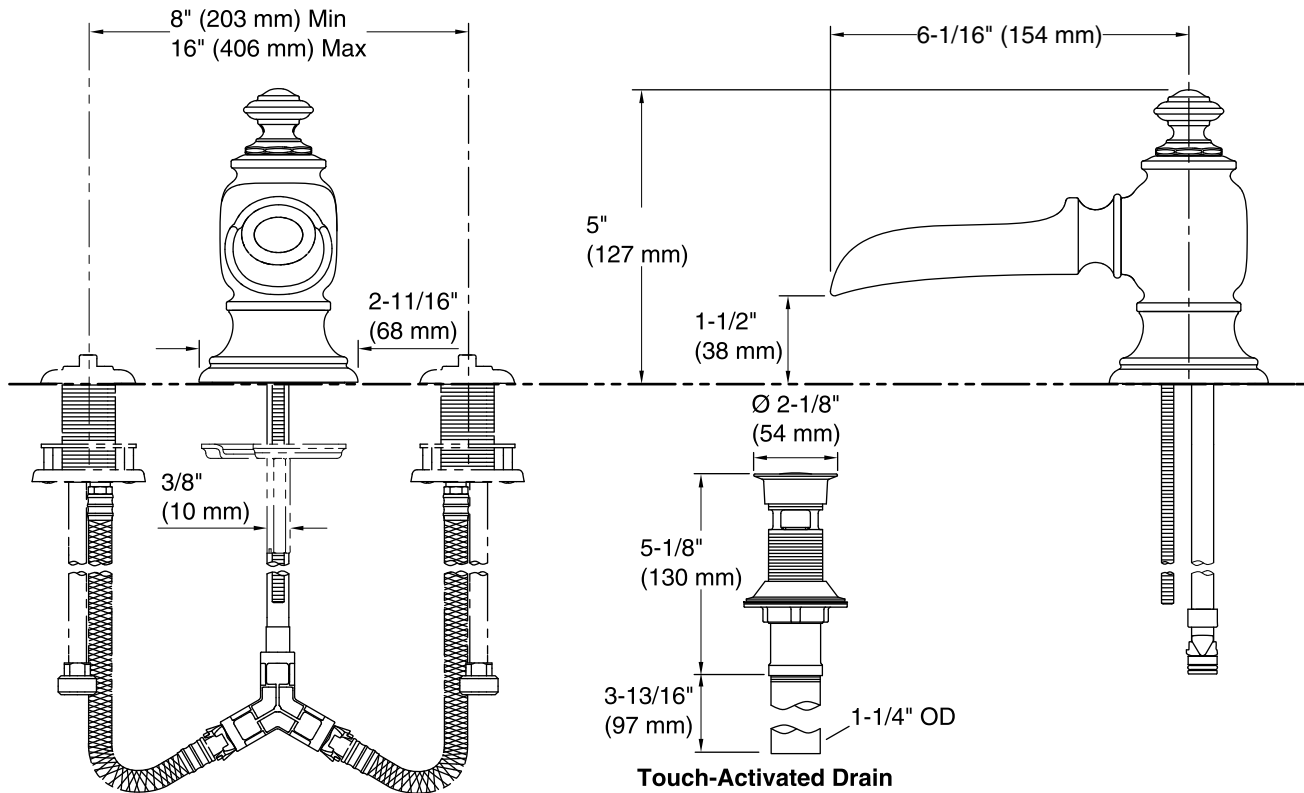
KOHLER® Faucet Lifetime Limited Warranty

See website for detailed warranty information.

Available Color/Finishes

Color tiles intended for reference only.

Color	Code	Description
	CP	Polished Chrome
	SN	Vibrant® Polished Nickel
	BN	Vibrant® Brushed Nickel
	BV	Vibrant® Brushed Bronze



Technical Information

All product dimensions are nominal.

Faucet:

Flow rate: 1.2 gal/min (4.5 l/min)

Pressure: 60 psi (4.1 bar)

Notes

Install this product according to the installation instructions.

ADA compliant when installed to the specific requirements of these regulations.