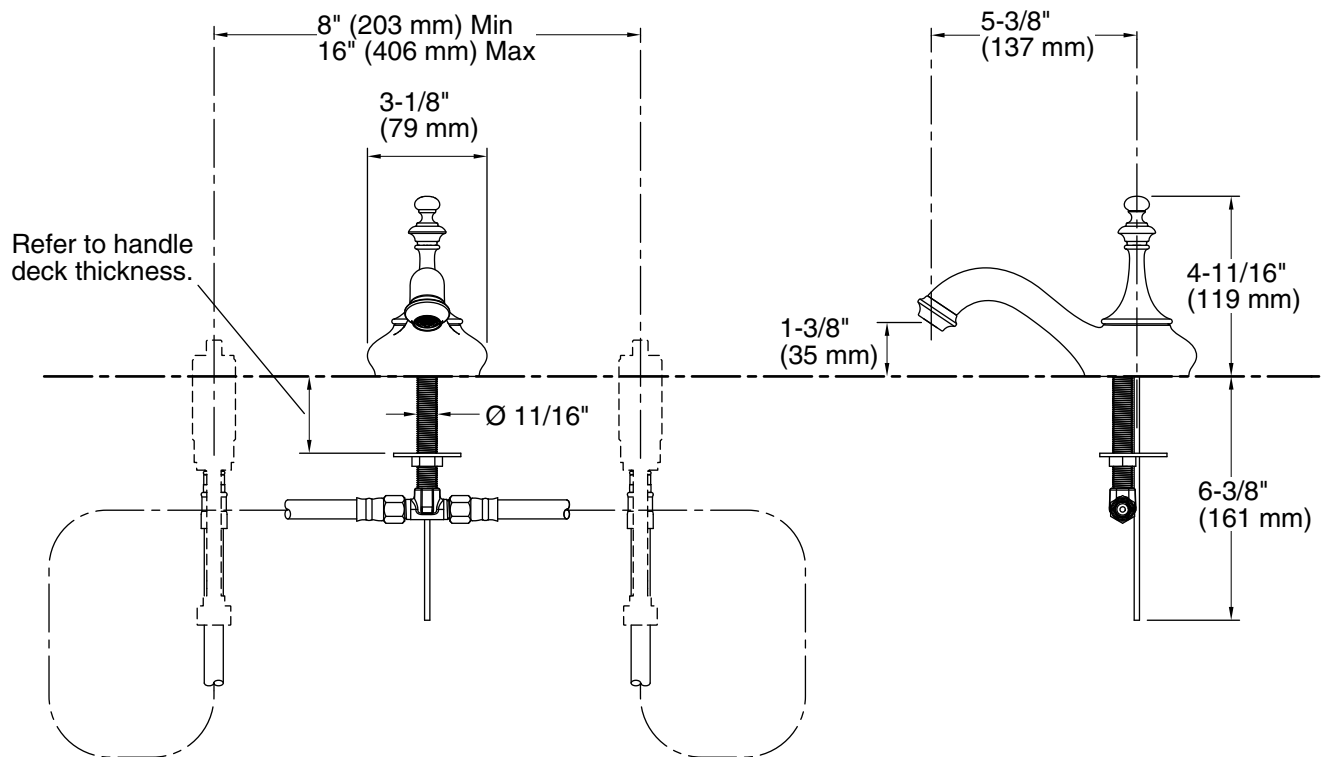


### Product Information

|                                |            |
|--------------------------------|------------|
| Applicable product:            |            |
| Widespread bathroom sink spout | K-72758    |
| Required accessories:          |            |
| Prong handles (pair) <b>OR</b> | K-98068-3M |
| Lever handles (pair) <b>OR</b> | K-98068-4  |
| Swing lever handles (pair)     | K-98068-9M |

### Installation Notes

Install this product according to the installation guide.



### Features

- Metal construction.
- Metal pop-up drain with tailpiece.
- 5-3/8" (137 mm) spout reach.
- 1.2 gal/min (4.5 l/min) maximum flow rate [max at 60 psi (4.14 bar)].

### Required Accessories

- K-98068-3M Widespread Bathroom Sink Faucet Handles
- or
- K-98068-4 Widespread Bathroom Sink Faucet Handles
- or
- K-98068-9M Widespread Bathroom Sink Faucet Handles



### Codes/Standards


ASME A112.18.1/CSA B125.1  
NSF 61  
NSF 372  
All applicable US Federal and State material regulations  
DOE - Energy Policy Act 1992  
EPA WaterSense®  
California Energy Commission (CEC)

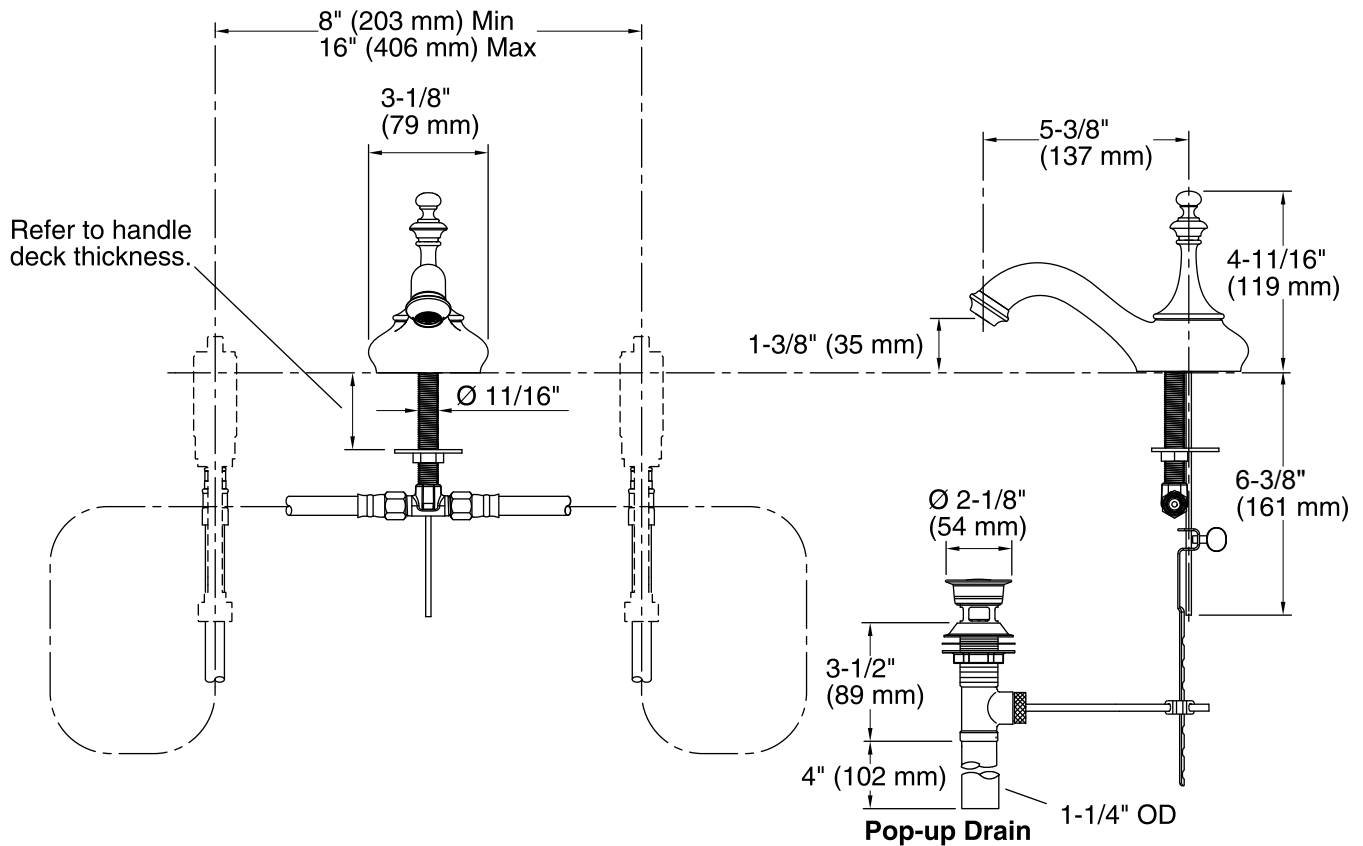
### KOHLER® Faucet Lifetime Limited Warranty

See website for detailed warranty information.

### Available Color/Finishes

*Color tiles intended for reference only.*

| Color  | Code | Description              |
|--|------|--------------------------|
|  | CP   | Polished Chrome          |
|  | SN   | Vibrant® Polished Nickel |
|  | BN   | Vibrant® Brushed Nickel  |
|  | BV   | Vibrant® Brushed Bronze  |
|  | 2BZ  | Oil-Rubbed Bronze        |
|  | VNT  | Vintage Nickel           |



### Technical Information

All product dimensions are nominal.

Drain included: YES

### Spout:

Spout reach: 5-3/8" (137 mm)

### Faucet:

Flow rate: 1.2 gal/min (4.5 l/min)

Pressure: 60 psi (4.1 bar)

### Notes

Install this product according to the installation guide.

### Features

- Brass valve bodies.
- Quarter-turn washerless ceramic disc valves.
- Handles are ADA compliant.
- For 8" (203 mm) or 16" (406 mm) centers.

### Material

- Premium metal construction.

### Required Accessories

- K-72758 Widespread Bathroom Sink Spout
- or
- K-72759 Widespread Bathroom Sink Spout
- or
- K-72760 Widespread Bathroom Sink Spout



ADA

### Codes/Standards

ASME A112.18.1/CSA B125.1

NSF 61

NSF 372

All applicable US Federal and State material regulations

ADA

ICC/ANSI A117.1

### KOHLER® Faucet Lifetime Limited Warranty

See website for detailed warranty information.

### Available Color/Finishes

*Color tiles intended for reference only.*

| Color | Code | Description |
|-------|------|-------------|
|-------|------|-------------|



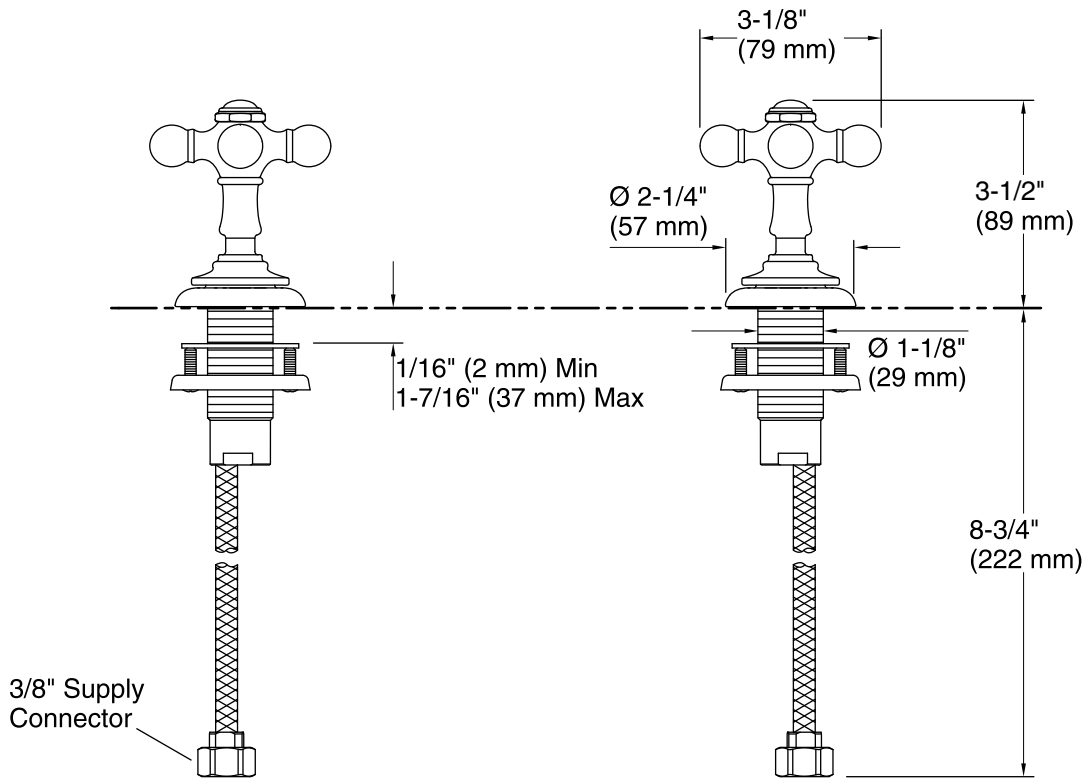
CP Polished Chrome



SN Vibrant® Polished Nickel



BN Vibrant® Brushed Nickel



### Technical Information

All product dimensions are nominal.

### Notes

Install this product according to the installation instructions.

ADA compliant when installed to the specific requirements of these regulations.