

Features

- Integral slotted overflow allows for deep soaking.
- Toe-tap drain with cast resin material cover.
- Integral lumbar support.
- 16" soaking depth.
- 65-3/8" (11661 mm) x 36-3/4" (933 mm) x 24-3/8" (619 mm).

Material

- KOHLER Lithocast®

Installation

- Freestanding.



Codes/Standards

CSA B45.5/IAPMO Z124

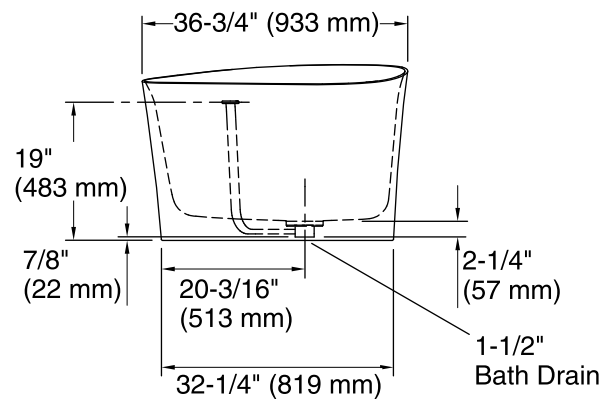
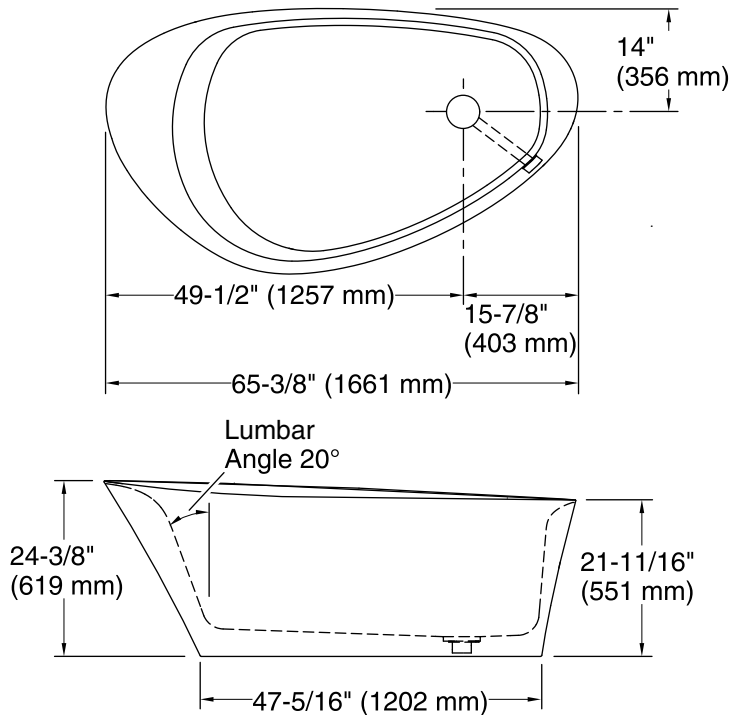
See website for detailed warranty information.

Available Color/Finishes

Color tiles intended for reference only.

Color	Code	Description
-------	------	-------------

	0	White
--	---	-------



Technical Information

All product dimensions are nominal.

Installation:	Freestanding
Drain location:	Center
Basin area, top:	64-7/16" x 36-1/4" (1637 mm x 921 mm)
Weight:	270 lbs (122.5 kg)
Minimum floor load:	91.8 lbs/ft ² (448.2 kg/m ²)
Water depth:	15-7/8" (404 mm)
Water capacity:	84.29 gal (319.1 L)
Template:	Footprint, 1314992, not required, not included

Notes

Measure your actual product for rough-in details.

Install this product according to the installation instructions.

The hot water supply should be 70% of the capacity of the bath or greater. Installations will vary.

Allow for 3" (76 mm) diameter of clearance around the drain pipe on finished floor material to prevent drain body interference during installation.

Features

- Metal construction.
- Adjustable handshower sprayface rotates to select wide-coverage or forceful utility spray options.
- MasterClean™ sprayface resists hard water buildup and easy to clean.
- Durable KOHLER finishes resist corrosion and tarnishing.
- Complete range of faucets, accessories and showering components to coordinate a full bathroom.

Required Accessories

K-97339 Multiproduct Mounting-block



Codes/Standards



ASME A112.18.1/CSA B125.1
DOE - Energy Policy Act 1992
EPA WaterSense®
California Energy Commission (CEC)

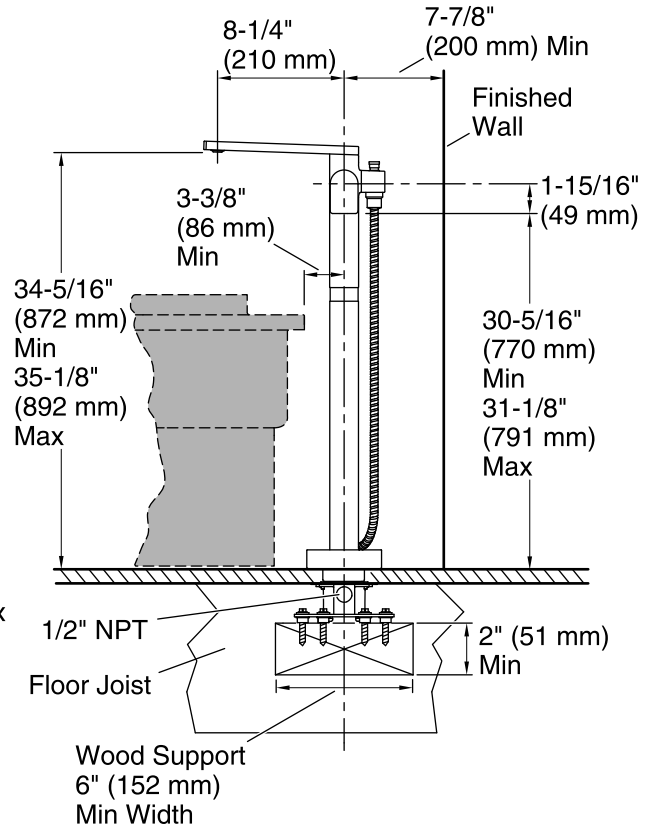
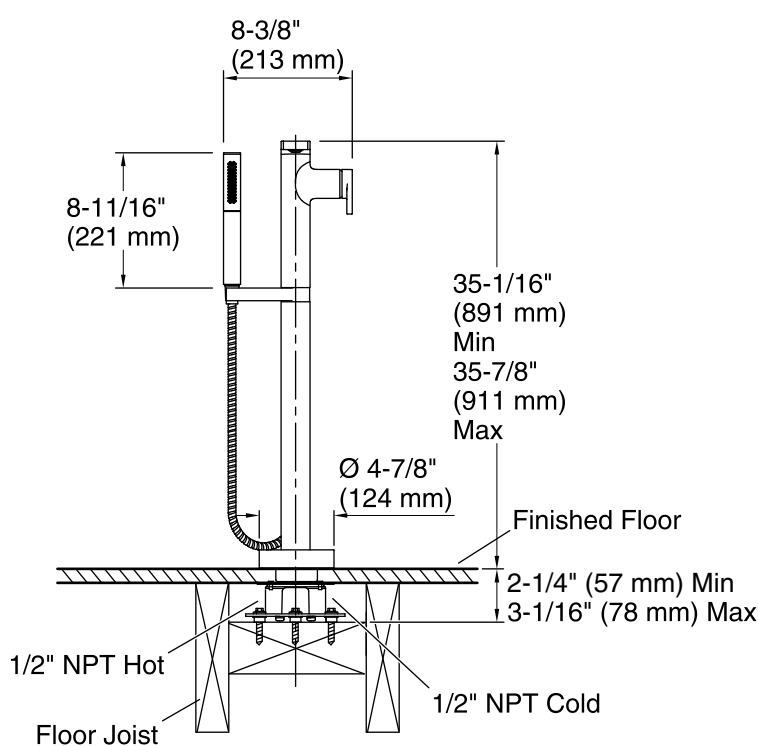
KOHLER® Faucet Lifetime Limited Warranty

See website for detailed warranty information.

Available Color/Finishes

Color tiles intended for reference only.

Color	Code	Description
	CP	Polished Chrome
	TT	Vibrant Titanium



Technical Information

All product dimensions are nominal.

Spout:

Spout reach: 8-1/4" (210 mm)
Handle clearance: 1-15/16" (50 mm)

Faucet:

Flow rate: 7.5 gal/min (28.4 l/min)
Pressure: 45 psi (3.1 bar)

Handshower:

Rated maximum flow: 2 gal/min (7.6 l/min)
Pressure: 80 psi (5.5 bar)

Notes

Install this product according to the installation guide.

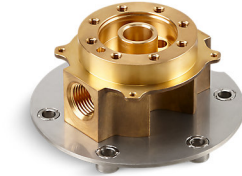
Adequate floor space is required. The wood support must be a minimum of 2" (51 mm) thick by 6" (152 mm) wide. 2x6 lumber is NOT adequate for this application.

Concrete can be used as the floor support. Requires a 3/16" masonry drill bit and six 1/4" x 1-3/4" concrete screws, which are not included.

Features

- For use with Purist®, Stillness®, Margaux® and Kelston® freestanding bath fillers.
- Can be installed without required freestanding bath filler.

Installed component/s: Test cap, and Mud guard.

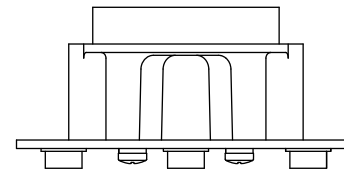
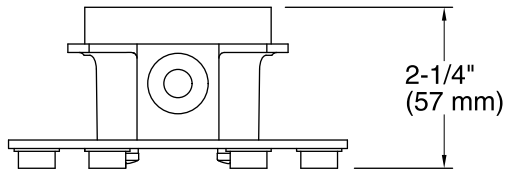
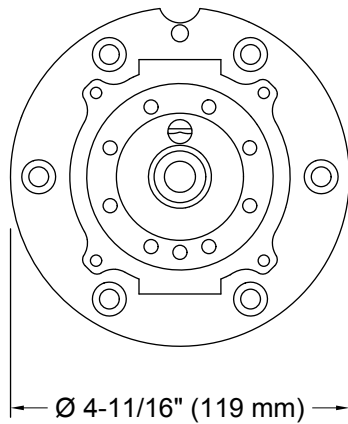


Codes/Standards

ASME A112.18.1/CSA B125.1

KOHLER® Faucet Lifetime Limited Warranty

See website for detailed warranty information.



Technical Information

All product dimensions are nominal.

Notes

Install this product according to the installation guide.

Adequate floor support is required. The wood support must be a minimum of 2" (51 mm) thick by 6" (152 mm) wide. 2x6 lumber is NOT adequate for this application.

Concrete can be used as the floor support. Requires 3/16" masonry drill bit and six 1/4" x 1-3/4" concrete screws, not included.