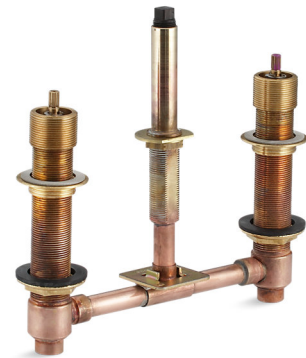


Features

- Time-tested and durable brass valve bodies.
- For baths with finished deck- or rim-mount installations.
- Includes rigid connections.

Material

- Brass valve bodies.



Codes/Standards

ASME A112.18.1/CSA B125.1

KOHLER® Faucet Lifetime Limited Warranty

See website for detailed warranty information.

KOHLER® Roughing-In

K-300-K, K-300-KR
VALVE SYSTEM

Product Information

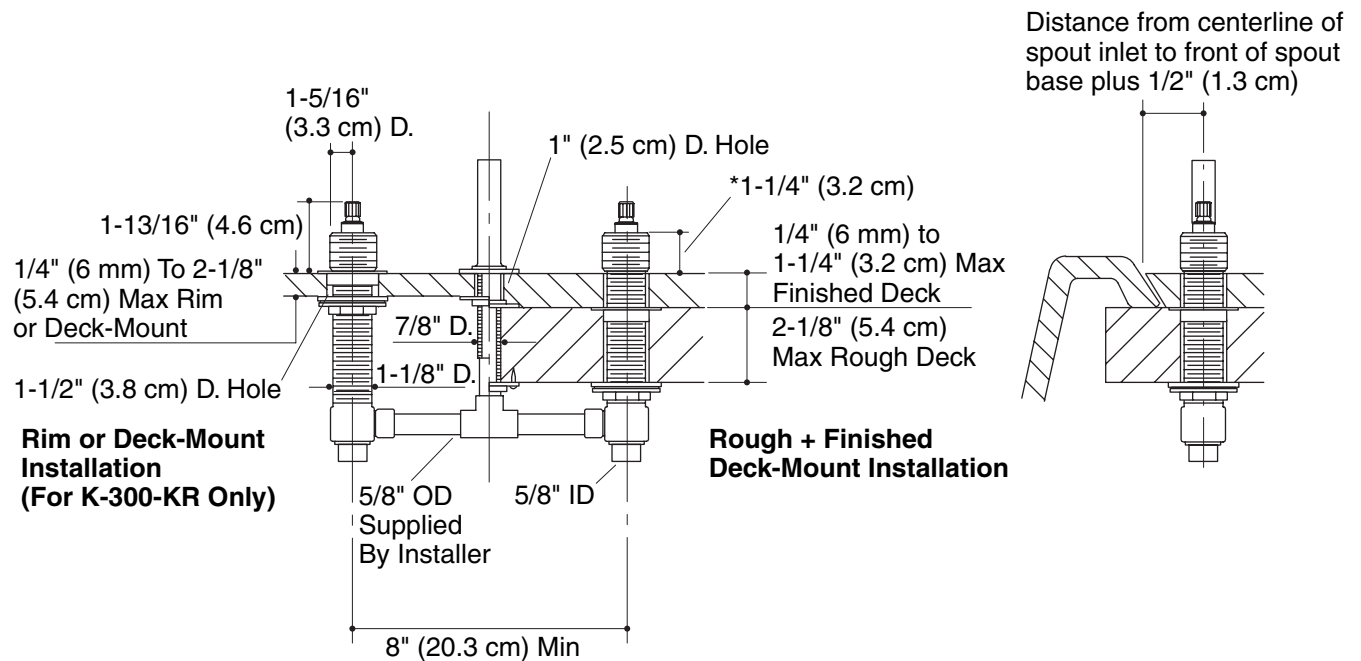
1/2" valve system	K-300-K-NA
1/2" valve system with rigid connections	K-300-KR-NA
Optional accessories:	
Deep roughing-in kit for 1/2" (1.3 cm) high-flow deck-mount bath faucets (lever handles)	1032704

Installation Notes

Install this product according to the installation guide.

For installations on a rough (unfinished) deck to be covered later with tile, the tile thickness must not exceed 1-1/4" (3.2 cm).

*Dimension allows ±1/4" (6 mm) handle adjustment during handle trim installation.





Features

- 17" soaking depth.
- Center drain.
- Integral lumbar support.
- Wide ledge on one side is ideal for deck-mount faucet and/or handshower.
- Textured bottom surface.

Material

- Acrylic

Installation

- Freestanding
- 72" (1829 mm) x 36" (914 mm) x 25-34/" (654 mm)
- K-37385 drain recommended for non-deck mounted faucets only.

Recommended Accessories

- K-7265 Clearflo Bath Drain
- K-37385 45" Rough-in Cable Bath Drain
- K-T37391 Bath Cable Drain Trim
- K-T37392 Bath Cable Drain Trim
- K-T37393 Bath Cable Drain Trim
- K-T37394 Bath Cable Drain Trim
- K-T37395 Bath Cable Drain Trim
- K-T37396 Bath Cable Drain Trim
- K-T37397 Cable Bath Drain Trim



Codes/Standards

CSA B45.5/IAPMO Z124
Greenguard UL 2818 - Gold



KOHLER® One-Year Limited Warranty

See website for detailed warranty information.

Available Color/Finishes

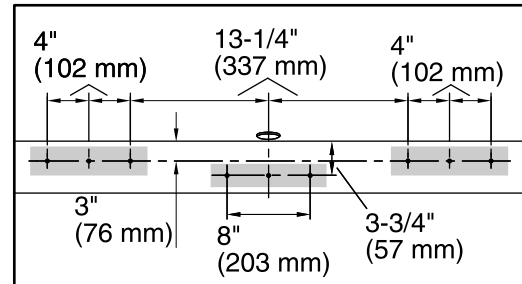
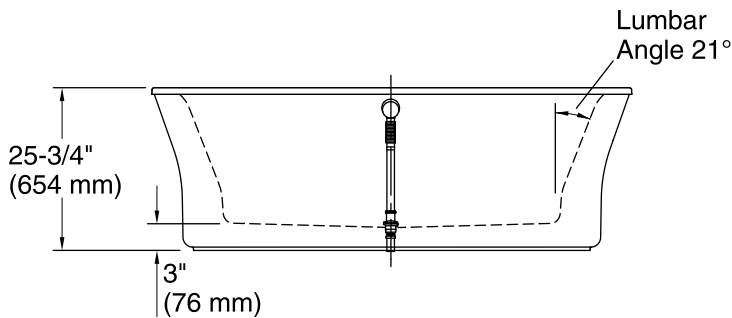
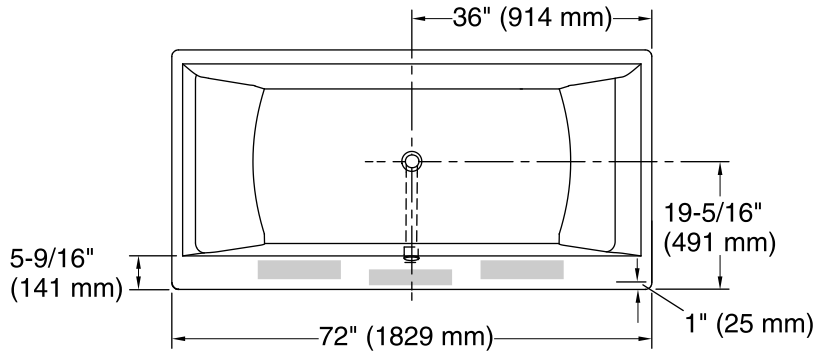
Color tiles intended for reference only.

Color Code Description

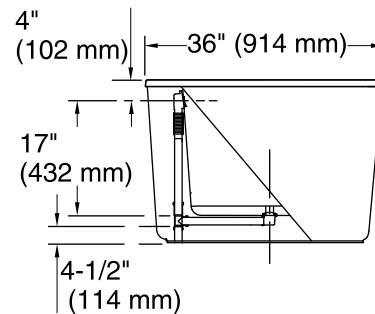
	0	White
	96	Biscuit

No change in measurements if connected with drain illustrated. (K-7265)

Faucet area.



**Faucet Hole Locations
(For KOHLER® Brand Only)**



Technical Information

All product dimensions are nominal.

Installation:	Freestanding
Drain location:	Center
Basin area, bottom:	50" x 24-1/2" (1270 mm x 622 mm)
Basin area, top:	61" x 27-1/2" (1549 mm x 699 mm)
Weight:	152 lbs (68.9 kg)
Minimum floor load:	48.8 lbs/ft ² (238.3 kg/m ²)
Water depth:	17" (432 mm)
Water capacity:	90 gal (340.7 L)
Template:	Footprint, 1245665, not required, not included
Minimum flat for door:	0" (0 mm)

Notes

Measure your actual product for rough-in details.

Install this product according to the installation instructions.

The hot water supply should be 70% of the capacity of the bath or greater. Installations will vary.

This bath is designed for freestanding installation only.

Do not support the load weight of the bath by the rim.

If installing a rim-mount faucet, make sure there is no interference with drain overflow before drilling any holes. Consult local and national codes for minimum air gap requirements if installing a spout on the faucet deck.

**BATH FAUCET TRIM
K-T5323**

ADA

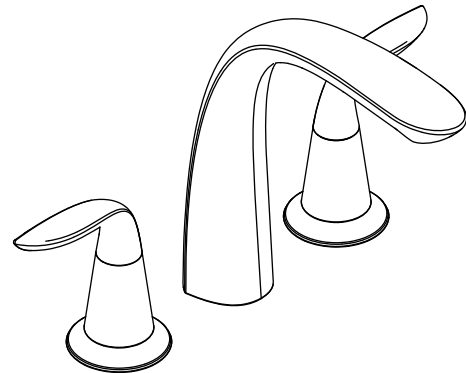
Features

- Metal construction
- Deck-mount
- High-arch non-diverter spout with slip-fit connection
- Stationary spout
- 7-7/16" (189 mm) spout reach

Codes/Standards Applicable

Specified model meets or exceeds the following at date of manufacture:

- ADA
- ICC/ANSI A117.1
- ASME A112.18.1/CSA B125.1
- All applicable US Federal and State material regulations



Colors/Finishes

- CP: Polished Chrome
- Other: Refer to Price Book for additional colors/finishes

Accessories

- NA: None applicable

Specified Model

Model	Description	Colors/Finishes	
K-T5323-4	Bath faucet trim	<input type="checkbox"/> CP	<input type="checkbox"/> Other ____
Required Accessories			
K-300-K	1/2" high-flow ceramic disc valve system OR	<input type="checkbox"/> NA	
K-301-K	3/4" high-flow ceramic disc valve system	<input type="checkbox"/> NA	
Optional Accessories			
73444	Deep roughing-in kit – provides an additional 1/2" (13 mm) of tile thickness for faucet installations using 1/2" valve systems	<input type="checkbox"/> NA	
1086701	Deep roughing-in kit – provides an additional 1/2" (13 mm) of tile thickness for faucet installations using 3/4" valve systems	<input type="checkbox"/> NA	

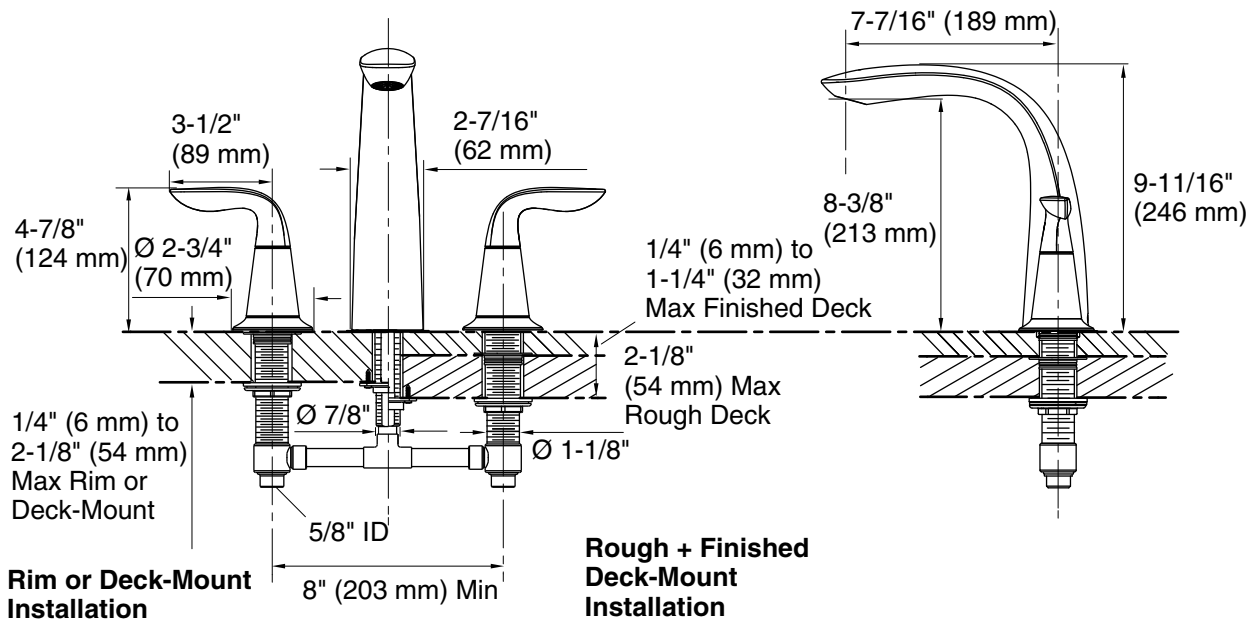
Product Specification

The two-handle deck-mount bath faucet trim shall be of metal construction. Product shall feature a 7-7/16" (189 mm) spout reach, stationary spout, and a high-arch non-diverter spout with slip-fit connection. The bath faucet trim shall be Kohler Model K-T5323-4-____ with required valve system Kohler Model K-____-K-NA.

REFINIA™

Installation Notes

Install this product according to the installation guide.



Product Diagram

Features

- Solid brass construction.
- 20-gauge brass pipe.
- Toe-activated closing.
- Above- or through-floor installation.
- Flexible overflow joint conforms to various bath angles.
- Includes tee, drain ell, and overflow ell with attached 1-1/2" OD pipe.



Codes/Standards




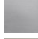
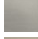
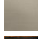



ASME A112.18.2/CSA B125.2

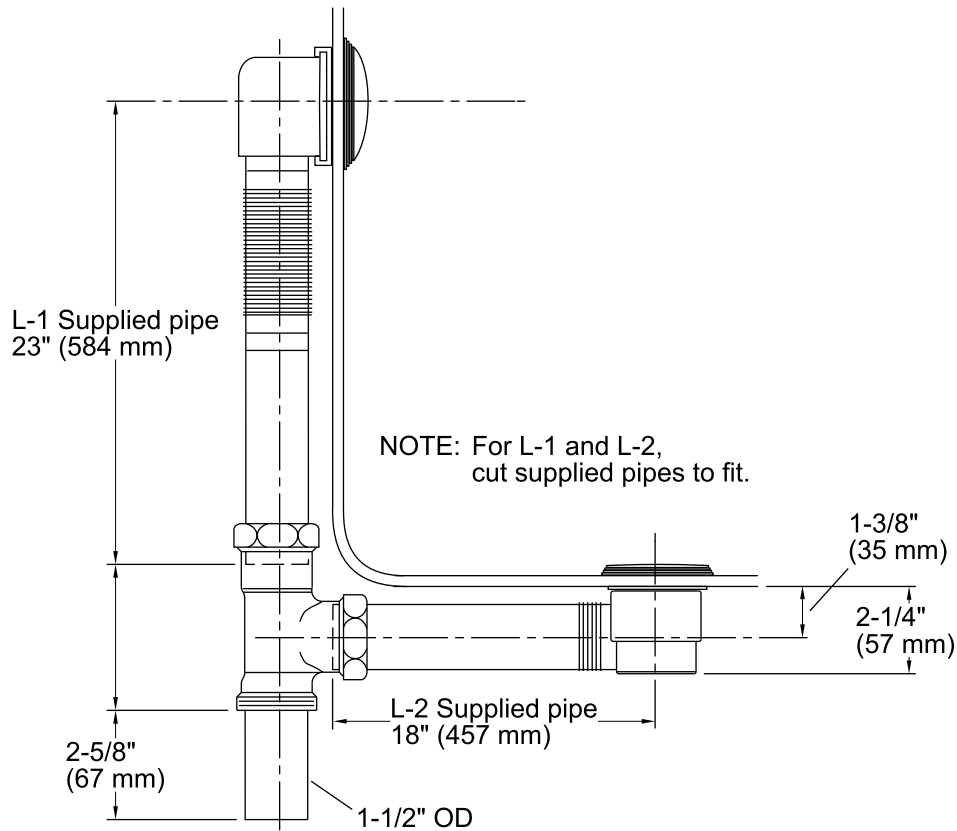
KOHLER® Faucet Lifetime Limited Warranty

See website for detailed warranty information.

Available Color/Finishes

Color tiles intended for reference only.

Color	Code	Description
	CP	Polished Chrome
	SN	Vibrant® Polished Nickel
	AF	Vibrant® French Gold
	G	Brushed Chrome
	BN	Vibrant® Brushed Nickel
	BV	Vibrant® Brushed Bronze
	2BZ	Oil-Rubbed Bronze
	TT	Vibrant Titanium
	VNT	Vintage Nickel



Technical Information

All product dimensions are nominal.

Notes

Install this product according to the installation guide.