

## Features

- Integral slotted overflow allows for deep soaking.
- Center toe-tap drain with cast resin material cover.
- Integral lumbar support.
- 17" soaking depth.
- 65" (1651mm) x 31-1/8" (790mm) x 22-7/8" (581mm)

## Material

- Cast resin.

## Installation

- Freestanding



## Codes/Standards

CSA B45.5/IAPMO Z124


## KOHLER® One-Year Limited Warranty

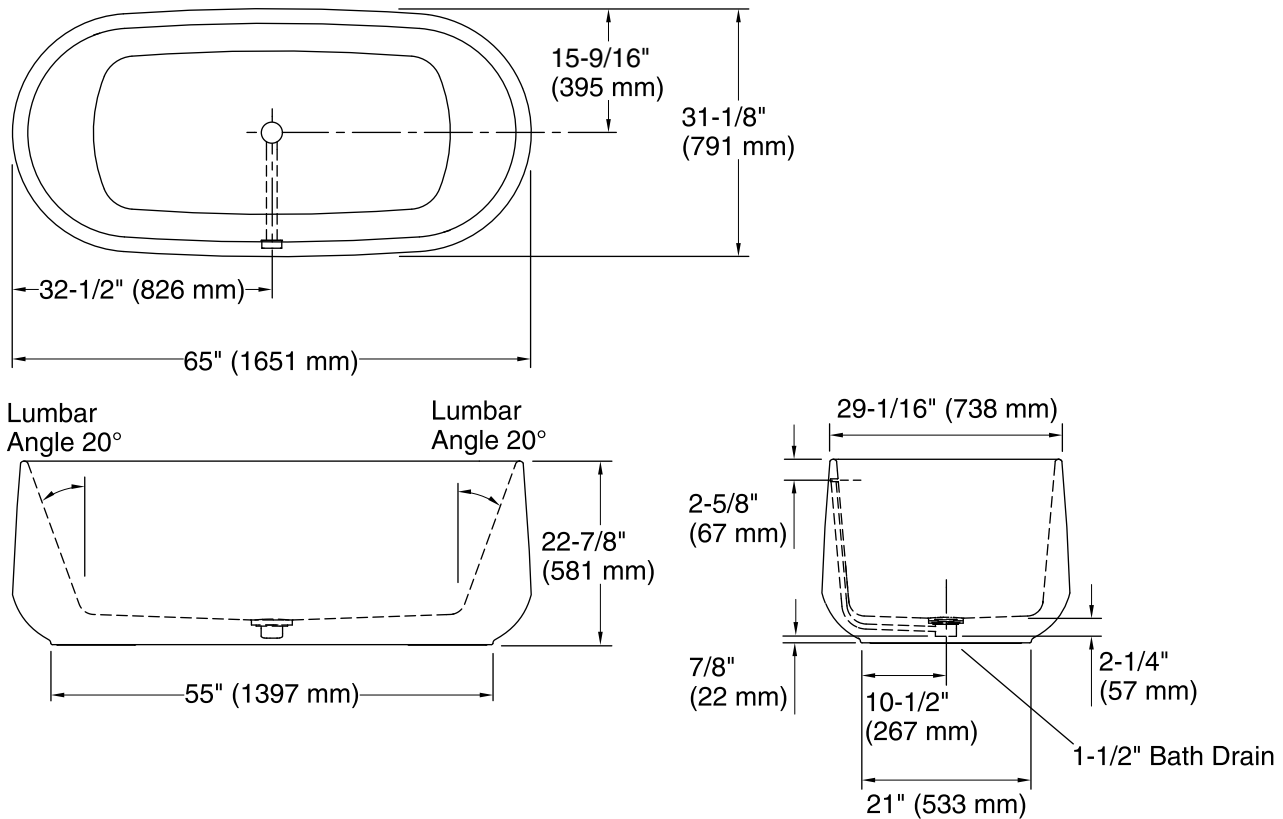
See website for detailed warranty information.

## Available Color/Finishes

*Color tiles intended for reference only.*

| Color | Code | Description |
|-------|------|-------------|
|-------|------|-------------|

|  |   |       |
|--|---|-------|
|  | 0 | White |
|--|---|-------|



## Technical Information

All product dimensions are nominal.

|                     |  |
|---------------------|--|
| Drain location:     | Center   |
| Basin area, bottom: | 48-5/16" x 24-5/16" (1228 mm x 618 mm)               |
| Basin area, top:    | 61-3/16" x 27-7/16" (1554 mm x 696 mm)               |
| Weight:             | 320 lbs (145.1 kg)                                   |
| Minimum floor load: | 133.5 lbs/ft <sup>2</sup> (651.8 kg/m <sup>2</sup> ) |
| Water depth:        | 17-1/8" (435 mm)                                     |
| Water capacity:     | 90 gal (340.7 L)                                     |
| Template:           | Footprint, 1314997, not required, not included       |

## Notes

Measure your actual product for rough-in details.

Install this product according to the installation instructions.

The hot water supply should be 70% of the capacity of the bath or greater. Installations will vary.

Allow for 3" (76 mm) diameter of clearance around the drain pipe on finished floor material to prevent drain body interference during installation.

## Features

- Single-lever handle allows for both on/off activation and temperature setting
- Includes Shift Ellipse handshower and hose.
- KOHLER ceramic disc valves exceed industry longevity standards for a lifetime of durable performance.
- 8 gpm maximum flow rate at 45 psi
- 8-1/2" spout reach
- 33-3/4" max. spout height
- Coordinates with Stillness faucets, accessories, and showering components to complete your bathroom.

## Material

- Premium Metal Construction.
- KOHLER finishes resist corrosion and tarnishing.

## Installation

- Floor-mount
- Requires K-97339 mounting block
- Compatibility with tub varies by application

## Required Accessories

K-97339 Multiproduct Mounting-block



## Codes/Standards

ASME A112.18.1/CSA B125.1  
DOE - Energy Policy Act 1992

## KOHLER® Faucet Lifetime Limited Warranty

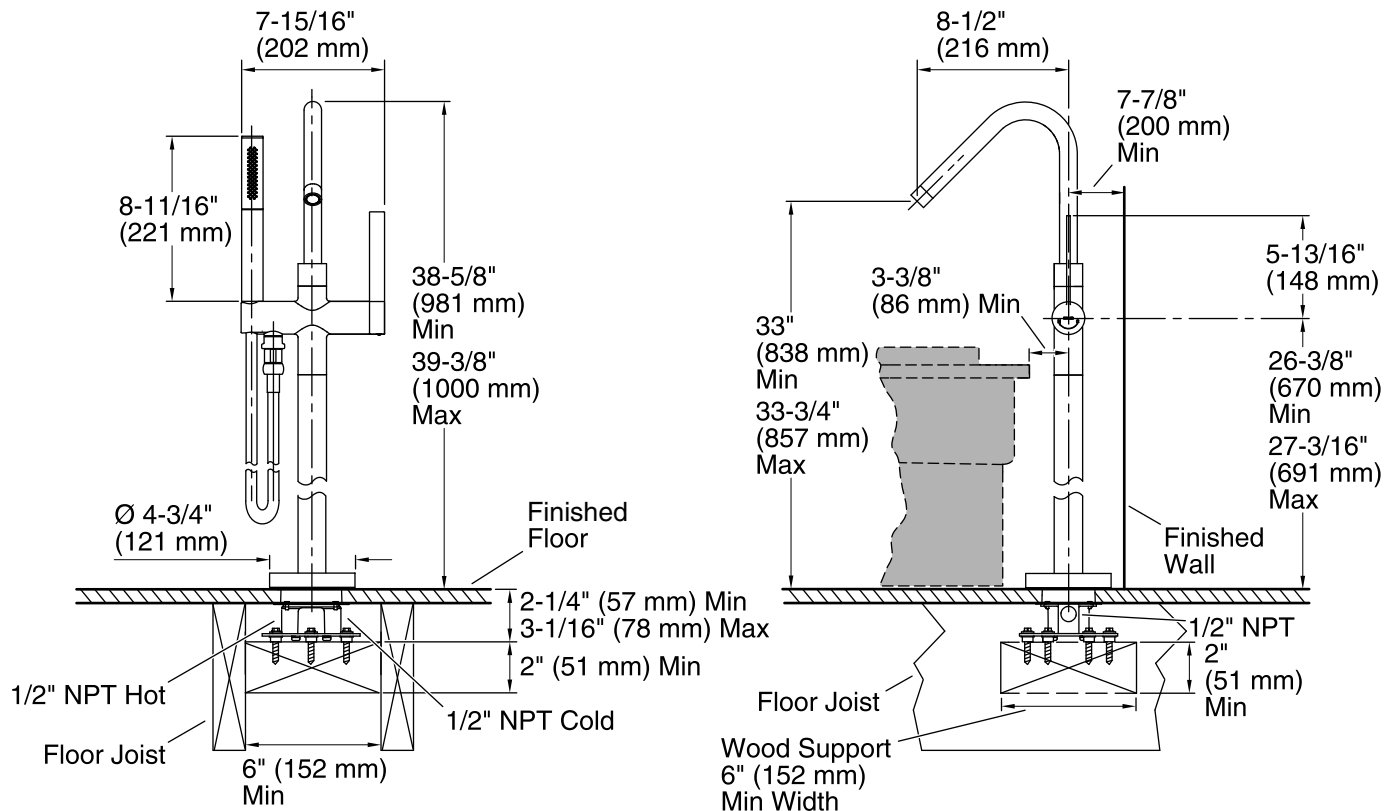
See website for detailed warranty information.

## Available Color/Finishes

*Color tiles intended for reference only.*

| Color | Code | Description |
|-------|------|-------------|
|-------|------|-------------|

|  |    |                 |
|--|----|-----------------|
|  | CP | Polished Chrome |
|--|----|-----------------|



### Technical Information

All product dimensions are nominal.

#### Spout:

Spout reach: 8-1/2" (216 mm)  
Handle clearance: 5-13/16" (148 mm)

#### Faucet:

Flow rate: 6 gal/min (22.7 l/min)  
Pressure: 45 psi (3.1 bar)

#### Handshower:

Rated maximum flow: 2.5 gal/min (9.5 l/min)  
Pressure: 80 psi (5.5 bar)

### Notes

Install this product according to the installation guide.

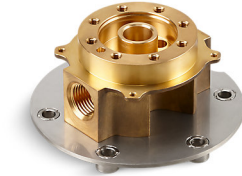
Adequate floor support is required. The wood support must be a minimum of 2" (51 mm) thick by 6" (152 mm) wide. 2x6 lumber is NOT adequate for this application.

Concrete can be used as the floor support. Requires 3/16" masonry drill bit and six 1/4" x 1-3/4" concrete screws, not included.

## Features

- For use with Purist®, Stillness®, Margaux® and Kelston® freestanding bath fillers.
- Can be installed without required freestanding bath filler.

Installed component/s: Test cap, and Mud guard.

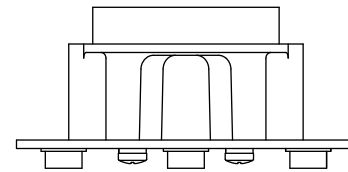
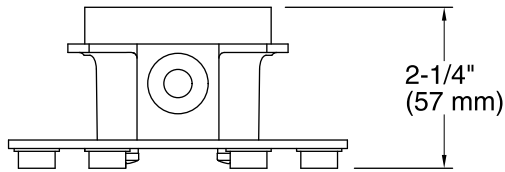
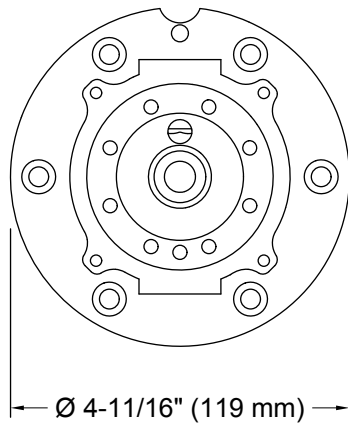


## Codes/Standards

ASME A112.18.1/CSA B125.1

## KOHLER® Faucet Lifetime Limited Warranty

See website for detailed warranty information.



### Technical Information

All product dimensions are nominal.

### Notes

Install this product according to the installation guide.

Adequate floor support is required. The wood support must be a minimum of 2" (51 mm) thick by 6" (152 mm) wide. 2x6 lumber is NOT adequate for this application.

Concrete can be used as the floor support. Requires 3/16" masonry drill bit and six 1/4" x 1-3/4" concrete screws, not included.