

Features

- Integral slotted overflow allows for deep soaking.
- Toe-tap drain with cast resin material cover.
- Integral lumbar support.
- 16" soaking depth.
- 65-3/8" (11661 mm) x 36-3/4" (933 mm) x 24-3/8" (619 mm).

Material

- KOHLER Lithocast®

Installation

- Freestanding.



Codes/Standards


CSA B45.5/IAPMO Z124

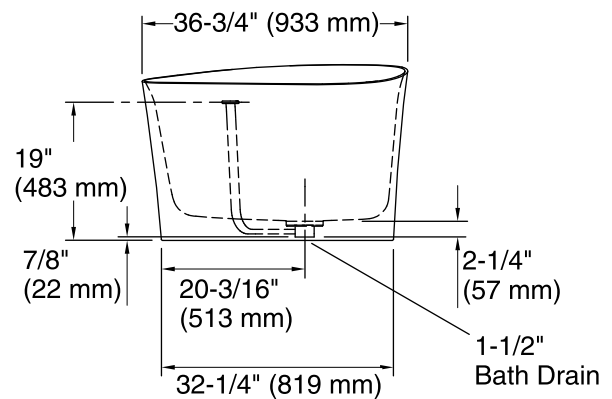
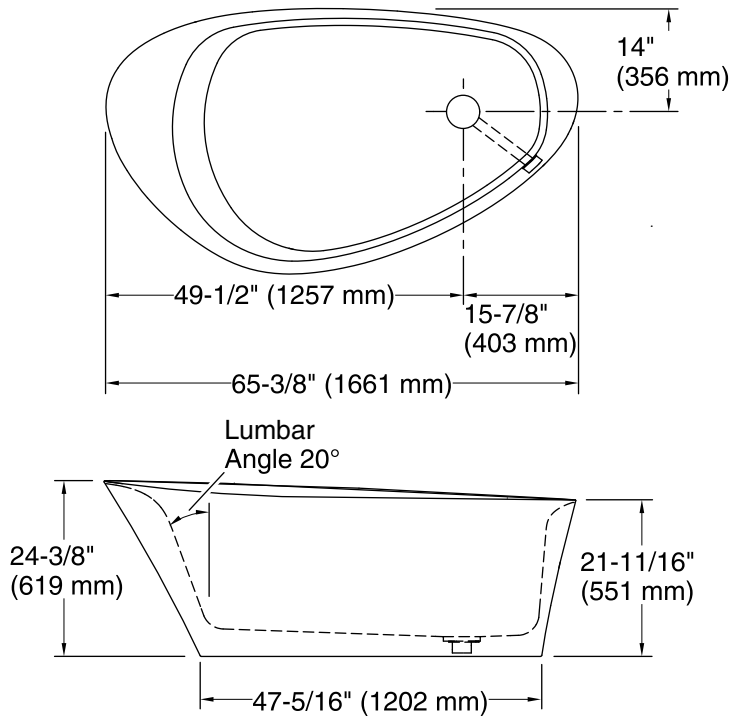
See website for detailed warranty information.

Available Color/Finishes

Color tiles intended for reference only.

Color	Code	Description
-------	------	-------------

	0	White
--	---	-------



Technical Information

All product dimensions are nominal.

Installation:	Freestanding
Drain location:	Center
Basin area, top:	64-7/16" x 36-1/4" (1637 mm x 921 mm)
Weight:	270 lbs (122.5 kg)
Minimum floor load:	91.8 lbs/ft ² (448.2 kg/m ²)
Water depth:	15-7/8" (404 mm)
Water capacity:	84.29 gal (319.1 L)
Template:	Footprint, 1314992, not required, not included

Notes

Measure your actual product for rough-in details.

Install this product according to the installation instructions.

The hot water supply should be 70% of the capacity of the bath or greater. Installations will vary.

Allow for 3" (76 mm) diameter of clearance around the drain pipe on finished floor material to prevent drain body interference during installation.