



# Underscore® | K-20201-LA

60" x 30" alcove bath with integral apron, integral flange, and left-hand drain

## Features

- Convenient 19" step-over height retains the same depth as a standard 21" bath
- Integral lumbar support
- Slotted overflow allows for deep soaking
- Integral apron creates a clean, finished look
- Integral flange helps prevent water from seeping behind wall and simplifies alcove installation
- Textured bottom surface



## Available Colors/Finishes

*Color tiles intended for reference only.*

■ 0 White



1-800-4KOHLER (1-800-456-4537)  
Kohler Co. reserves the right to make revisions without notice to product specifications.  
For the most current specification sheet, go to [www.kohler.com](http://www.kohler.com) USA or [www.kohler.ca](http://www.kohler.ca) Canada.  
4-22-2026 10:6 - US-CA

THE BOLD LOOK  
OF **KOHLER**®

## Codes/Standards

*ADA compliant when installed to the specific requirements of these regulations.*

ADA

CSA B45.5/IAPMO Z124  
ASTM E162  
ASTM E662  
ADA

## Technical Information

*All product dimensions are nominal.*

Drain Location:	Left
Drain Hole Diameter:	2-1/4" (57 mm)
Minimum Flat for Door:	2-3/4" (70 mm)
Basin Area, Bottom:	46-1/4" x 22" (1175 mm x 559 mm)
Basin Area, Top:	52" x 24" (1321 mm x 610 mm)
Water Depth:	15-1/2" (394 mm)
Water Capacity:	68 gal (257.4 L)
Minimum Floor Load:	56 lbs/ft <sup>2</sup>
Weight:	100 lbs (45.4 kg)

## Material

- Acrylic

## Recommended Products/Accessories

K-23726 Drain treatment

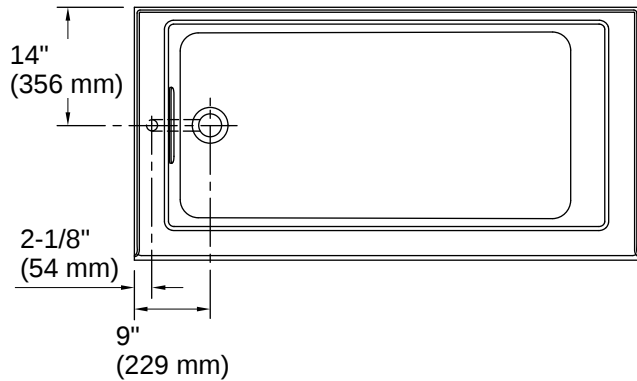
K-23732 Tub & shower cleaner

## Warranty

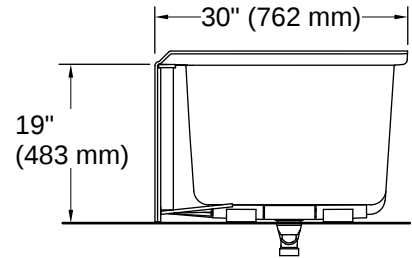
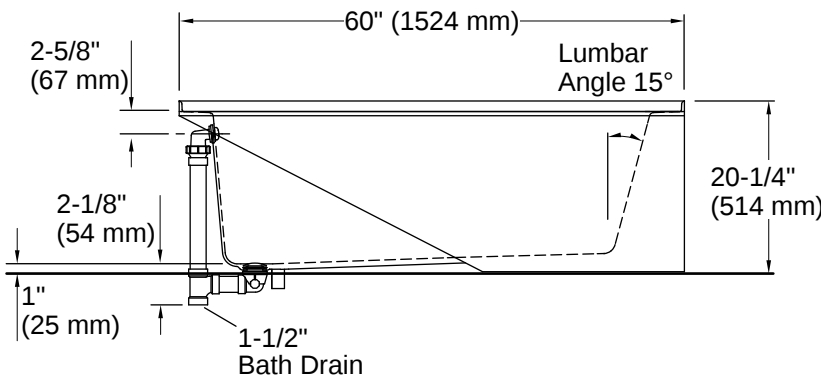
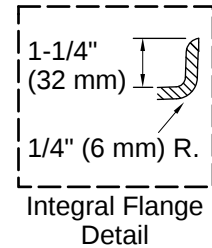
*See website for detailed warranty information.*

KOHLER® Plastic Baths and Shower Bases Lifetime Limited Warranty





No change in measurements if connected with drain illustrated. (K-7272)



## Installation

- Left drain
- Requires Clearflo slotted overflow bath drain (sold separately)
- Alcove

## Installation Notes

*Install this product according to the installation instructions.*

Measure your actual product for rough-in details.

The hot water supply should be 70% of the capacity of the bath or greater. Installations will vary.

ADA compliant when installed to the specific requirements of these regulations.

