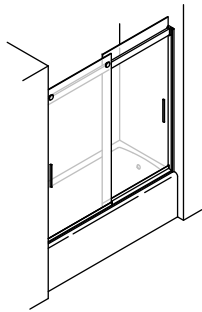


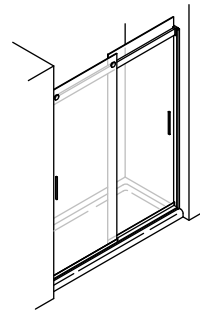
# Installation and Care Guide

## Sliding Shower and Bath Doors

K-706000, K-706001, K-706002,  
K-706003, K-706004, K-706005,  
K-706006, K-706007, K-706008,  
K-706009, K-706010, K-706011,  
K-706012, K-706013, K-706014,  
K-706015, K-706016, K-706017,  
K-706018, K-706019, K-706163,  
K-706164, K-706165, K-706166,  
K-706167, K-706168, K-706169,  
K-R706000, K-R706008, K-R706009,  
K-R706012



Sliding Bath Doors

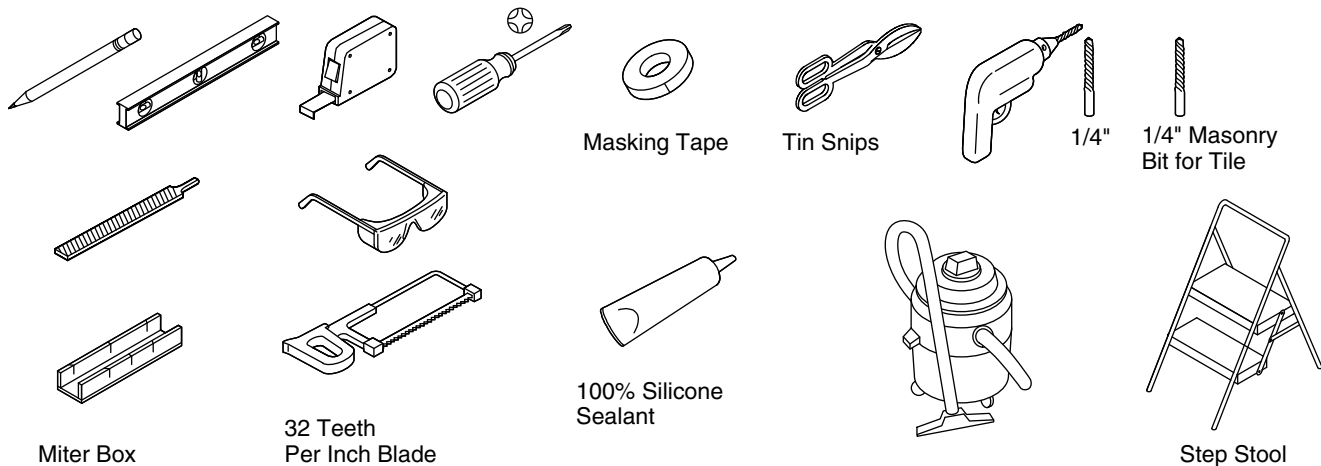


Sliding Shower Doors

**M** product numbers are for Mexico (i.e. K-12345**M**)  
Los números de productos seguidos de **M** corresponden a México  
(Ej. K-12345**M**)  
Français, page "Français-1"  
Español, página "Español-1"

THE BOLD LOOK  
OF **KOHLER**®

## Tools and Materials



## Before You Begin



**WARNING: Risk of serious injury.** Damage prior to installation can result in glass shattering. Inspect the glass and all parts for damage before installation.



**WARNING: Risk of serious injury.** Improper installation can result in glass shattering. Follow all installation instructions.



**WARNING: Risk of serious injury.** Do not cut tempered glass. Tempered glass will shatter if cut.



**WARNING: Risk of serious injury.** Shower door and side panels can shatter. Regularly inspect the glass and all parts for damage, missing or loose parts.



**WARNING: Risk of serious injury.** Always wear safety glasses while cutting and drilling.

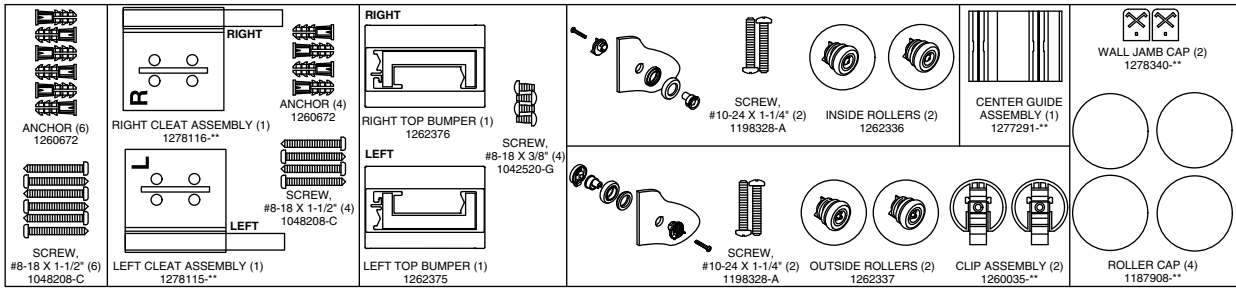


**CAUTION: Risk of personal injury.** Tempered glass should not contact hard surfaces or it may shatter. Do not touch the edge of the tempered glass panel with tools or any hard objects.

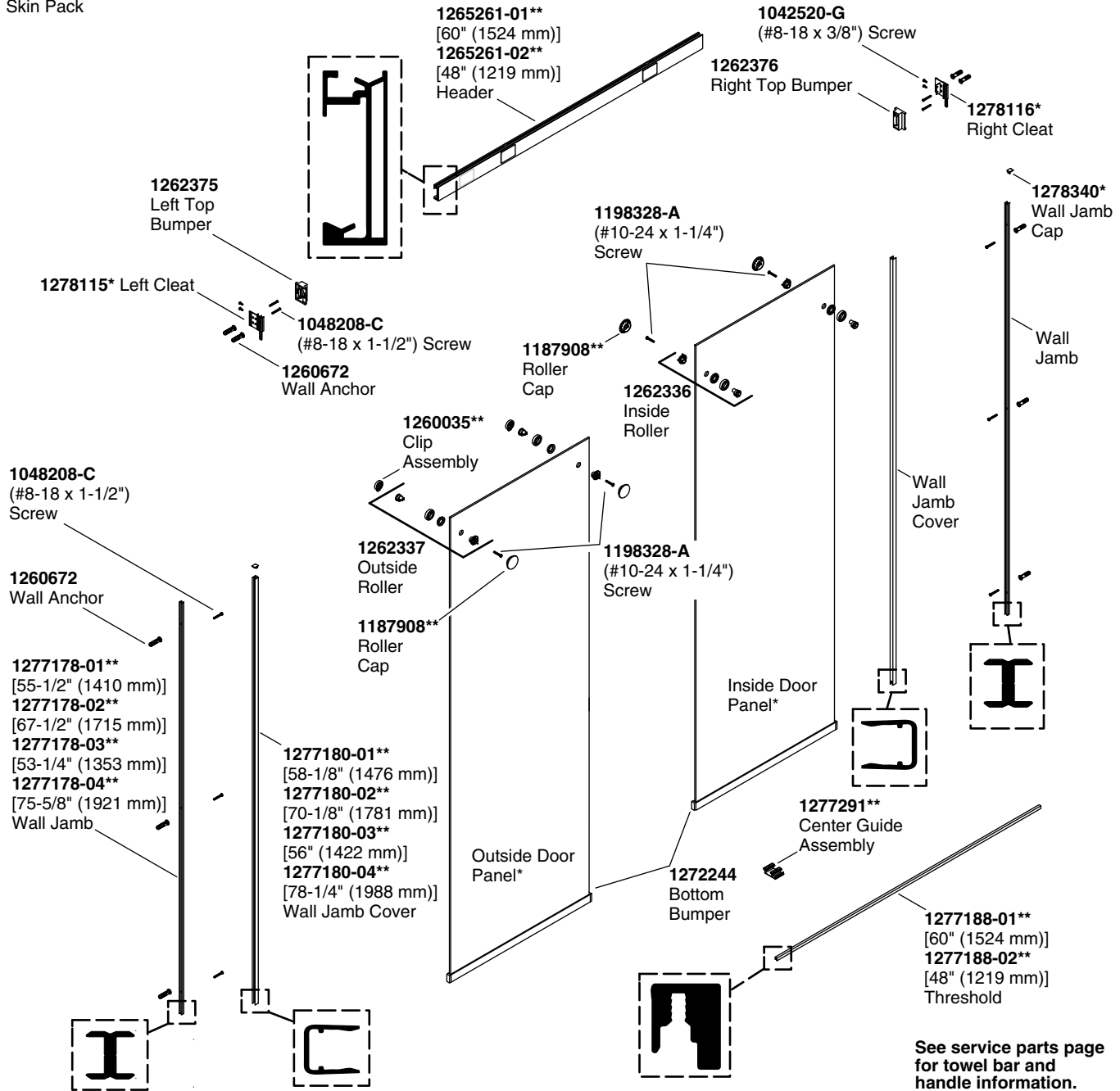
**IMPORTANT!** Leave this manual for the end user. Read these instruction before installing or using this product.

**IMPORTANT!** This door is designed to accommodate walls that are less than 3/8" (10 mm) out of plumb. Verify the area the door will be attached to is within 3/8" (10 mm) of plumb. The door may not function properly if the wall is more than 3/8" (10 mm) out of plumb.

- Cover the drain with tape to avoid loss of small parts.
- Identify all parts prior to installation.
- Identify the inside and outside panels by comparing the distance between the top edge of the glass and the roller mounting hole. The rollers on the inside panel are mounted lower than the outside panel.
- Follow the silicone sealant manufacturer's instructions for application and curing time.

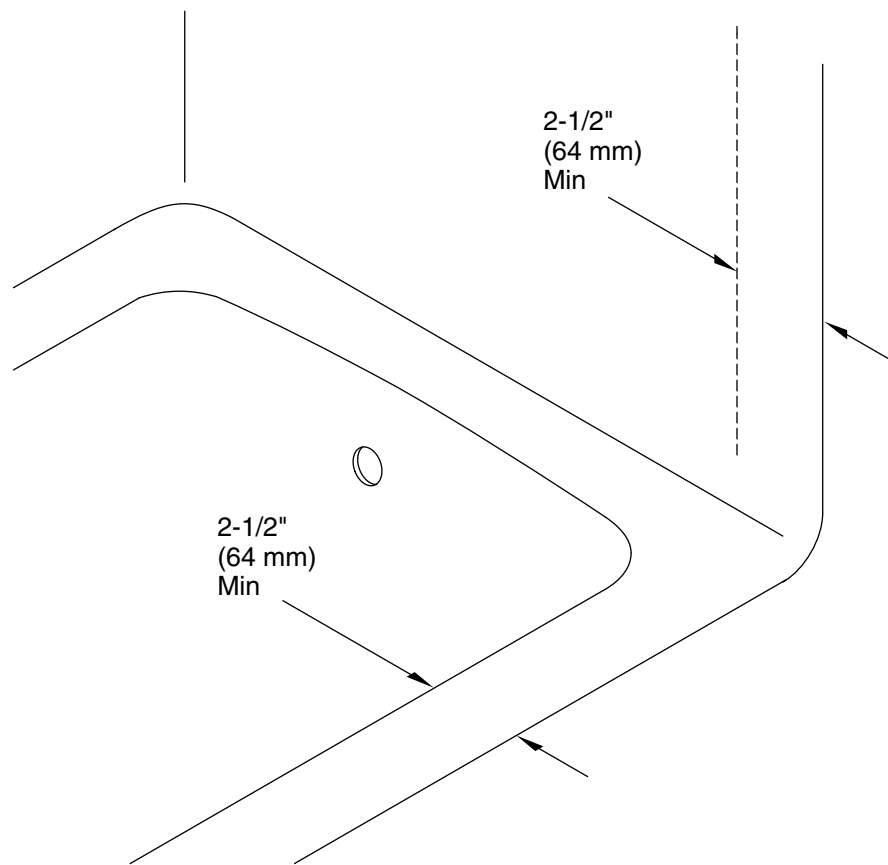


**1281033-\*\*-\*\*** Parts shown in order of use →  
 Skin Pack



See service parts page for towel bar and handle information.

**Parts Identification**

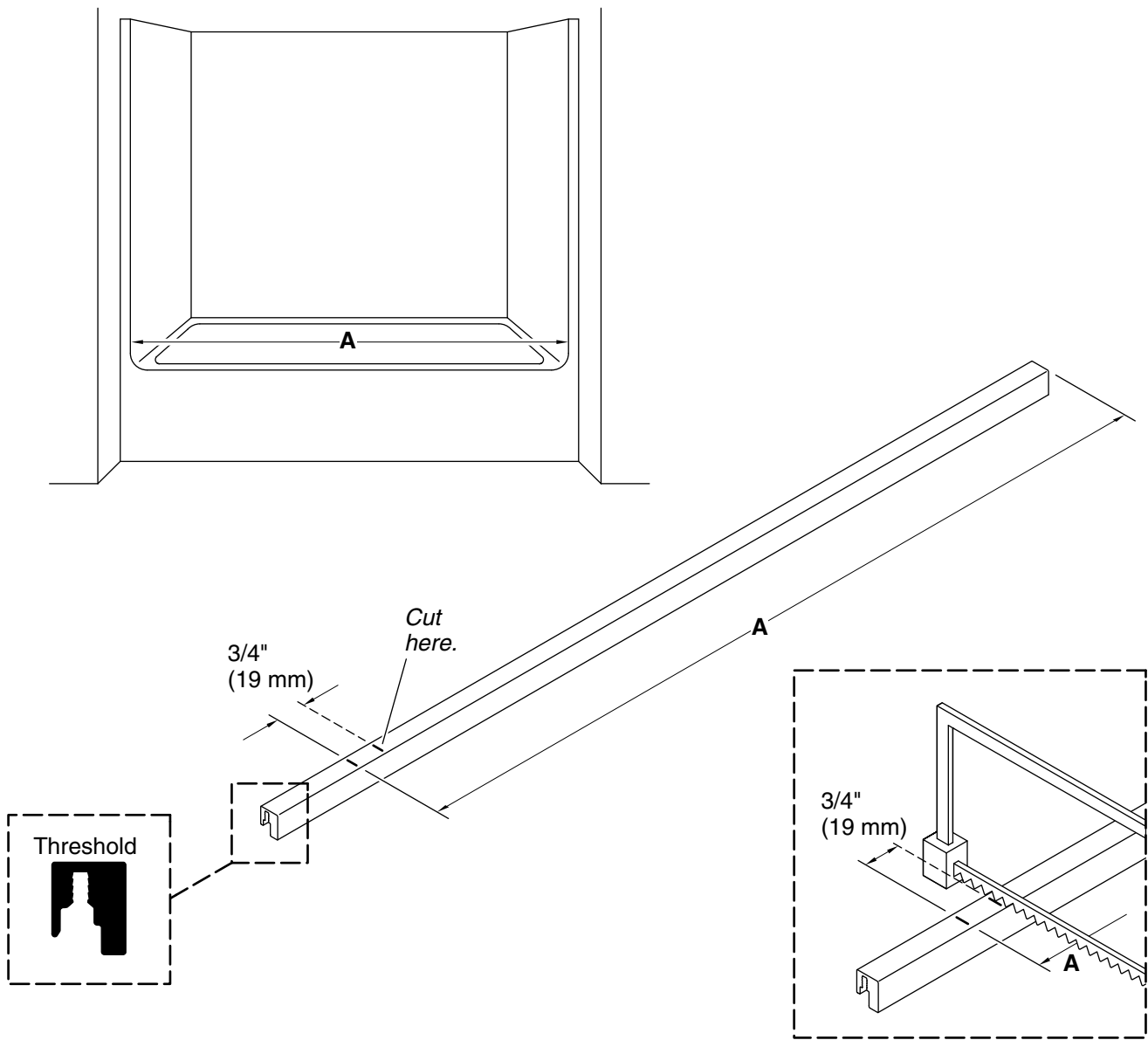


## 1. Confirm Ledge and Wall Compatibility

**IMPORTANT!** Confirm that the shower base/bath ledge and walls meet the following requirements:

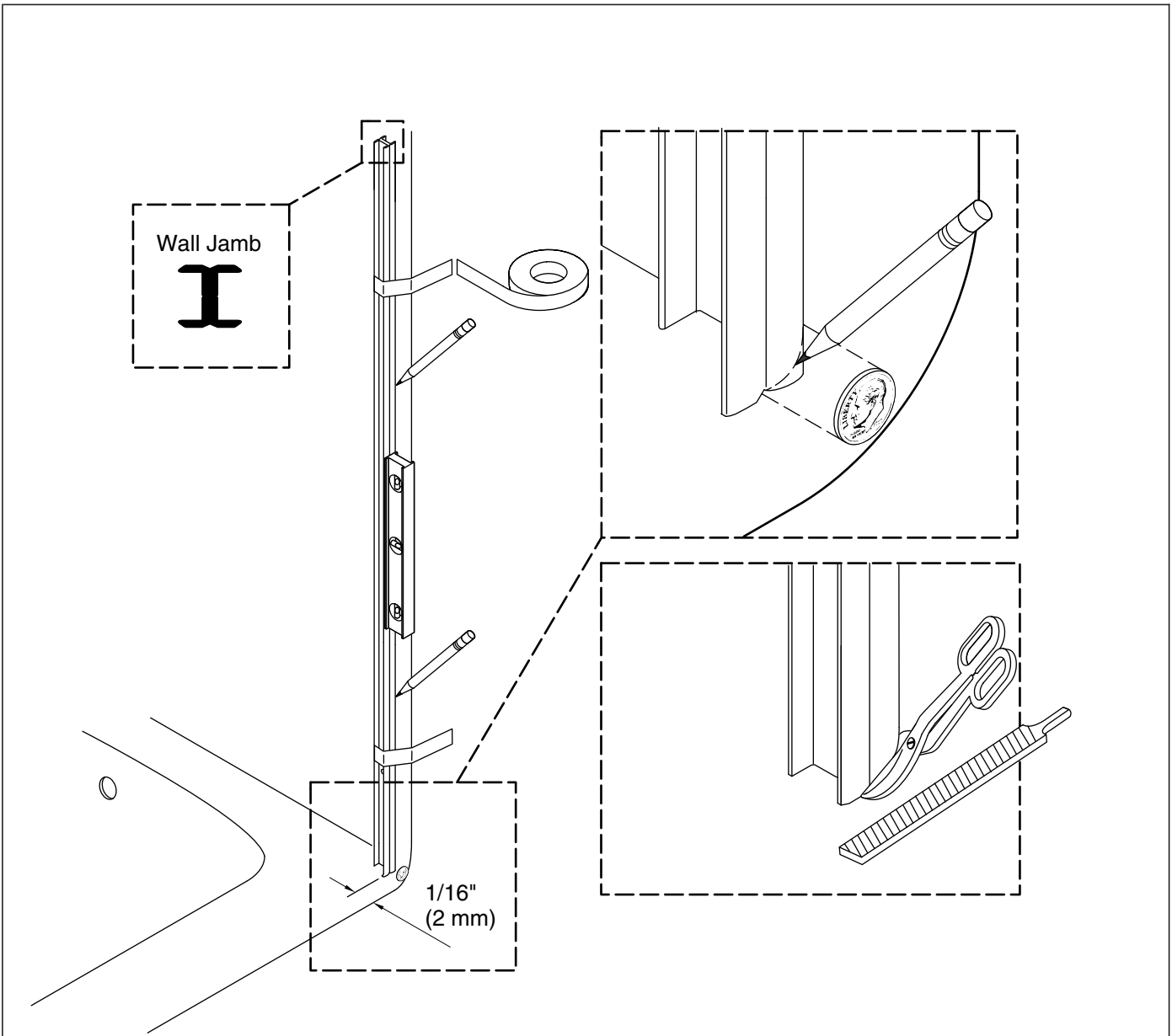
- There must be at least 2-1/2" (64 mm) of flat surface on the shower base/bath ledge and walls.
- Walls must be within 3/8" (10 mm) of plumb.
- The shower base/bath ledge must be within 3/8" (10 mm) of level.

**Do not install the door** if these requirements are not met.



## 2. Measure and Cut the Threshold

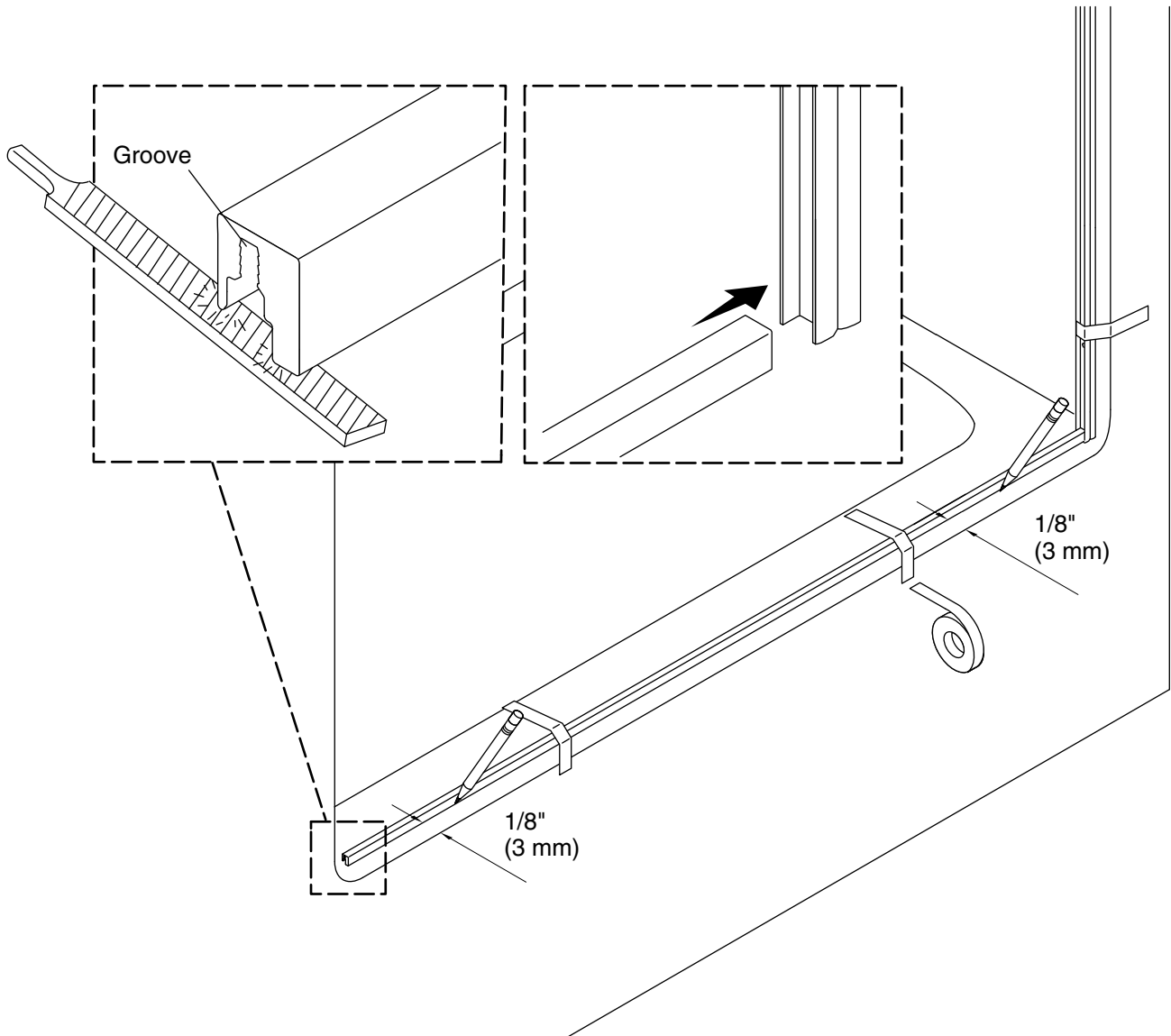
- Cover the drain with tape to avoid the loss of small parts.
- Use a drop cloth to protect the shower surface.
- Measure distance "A" between the shower walls and mark it on the threshold.
- Measure 3/4" (19 mm) from "A" and make a second mark on the threshold as shown.
- Cut the threshold at the second mark and file any rough edges.



### 3. Prepare the First Wall Jamb

**IMPORTANT!** The wall jamb must fit tightly against the shower base/bath ledge and wall.

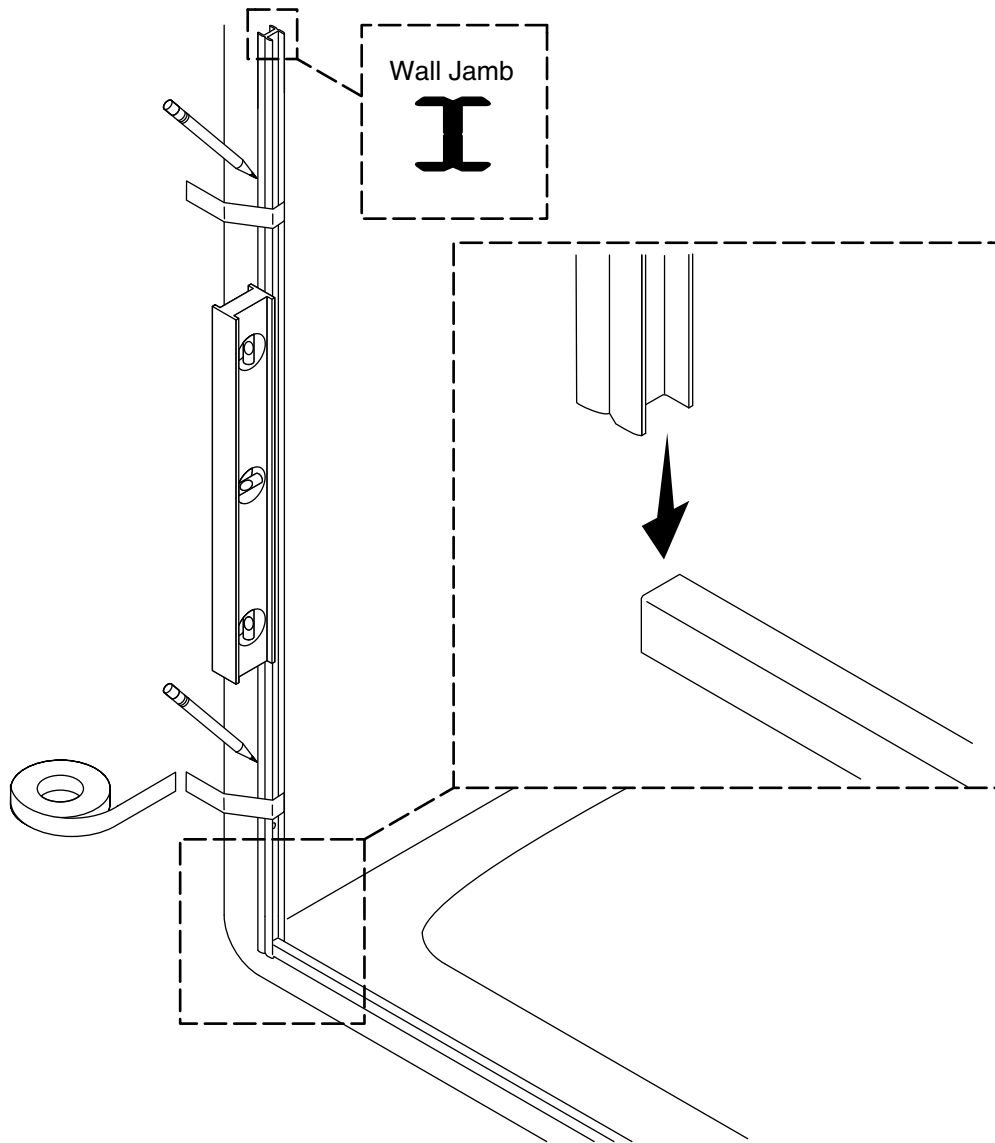
- Position the wall jamb against the wall so that it is 1/16" from the shower base/bath ledge radius as shown.
- If needed, shape and file the bottom corner to fit against the shower wall. Use a coin to match and transfer the corner radius.
- Plumb the wall jamb.
- Tape the wall jamb securely in place and mark its location.



#### 4. Position the Threshold

**NOTICE:** The threshold must sit on a flat surface.

- If needed, file the ends of the threshold to match the corner radius of the shower wall.
- Insert the threshold into the wall jamb with the groove down and the short end of the threshold facing the inside of the shower.
- Align the threshold so that it is an even distance from the shower base/bath ledge along its entire length.
- Tape the threshold securely in place and mark its location.

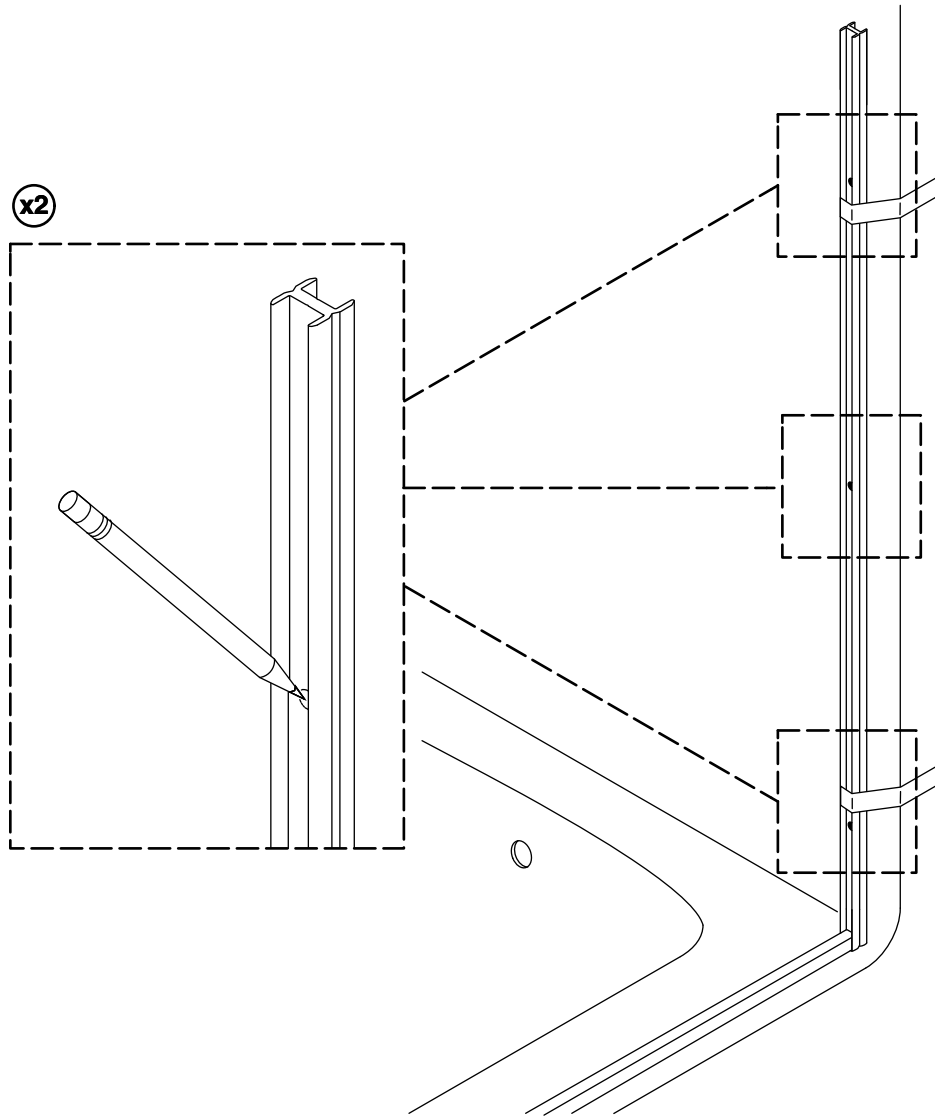


## 5. Position the Second Wall Jamb

**IMPORTANT!** The wall jamb must fit tightly against the shower base/bath ledge and wall.

- Position the second wall jamb against the wall and over the threshold on the opposite shower wall.
- If needed, shape and file the bottom corner to fit against the shower wall. Use a coin to match and transfer the corner radius.
- Plumb the wall jamb.
- Tape the wall jamb securely in place and mark its location.
- Make sure the threshold is still parallel with the front of the shower base/bath ledge.

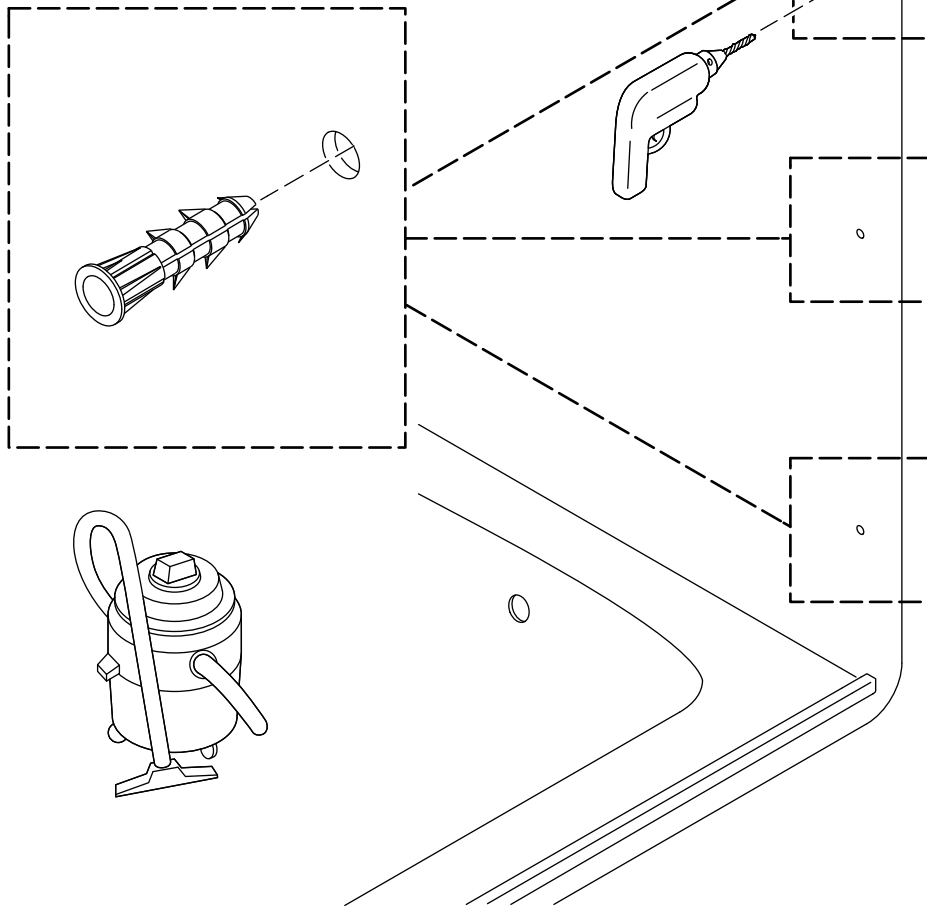




## 6. Mark the Wall Jamb Anchor Holes

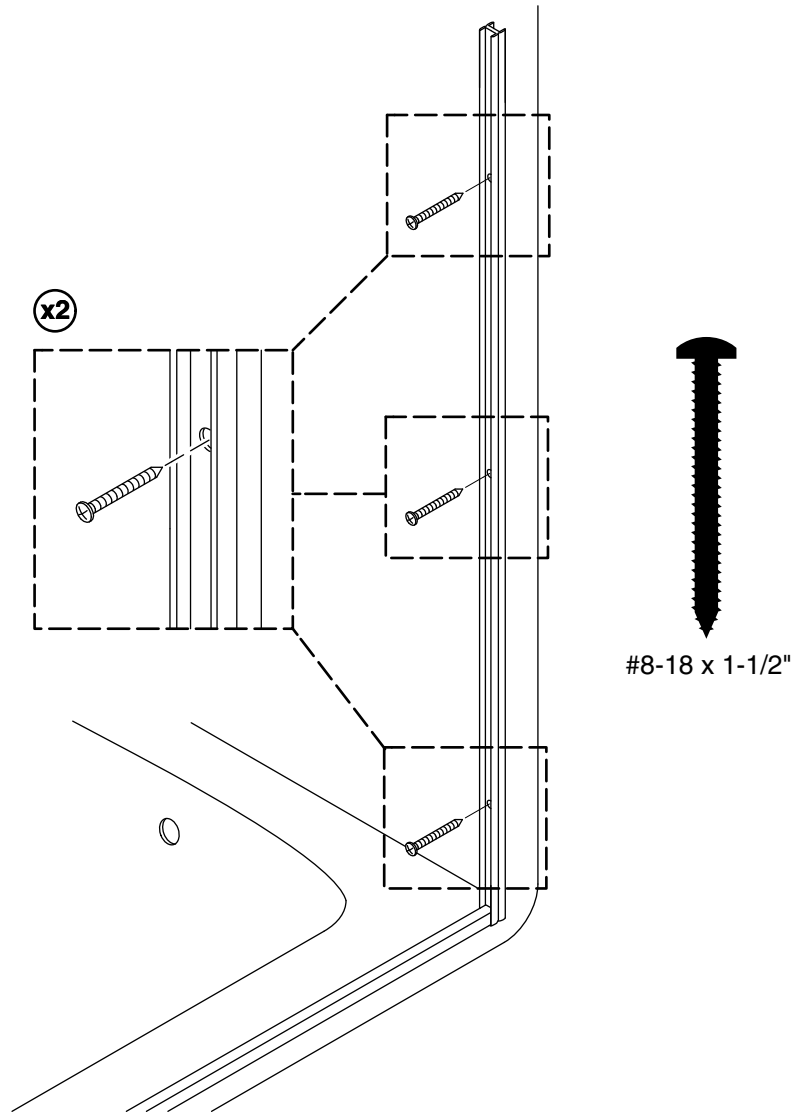
- Mark the three wall jamb anchor hole locations with a pencil.
- Remove the wall jamb and set it aside.
- Repeat for the second wall jamb.

x2



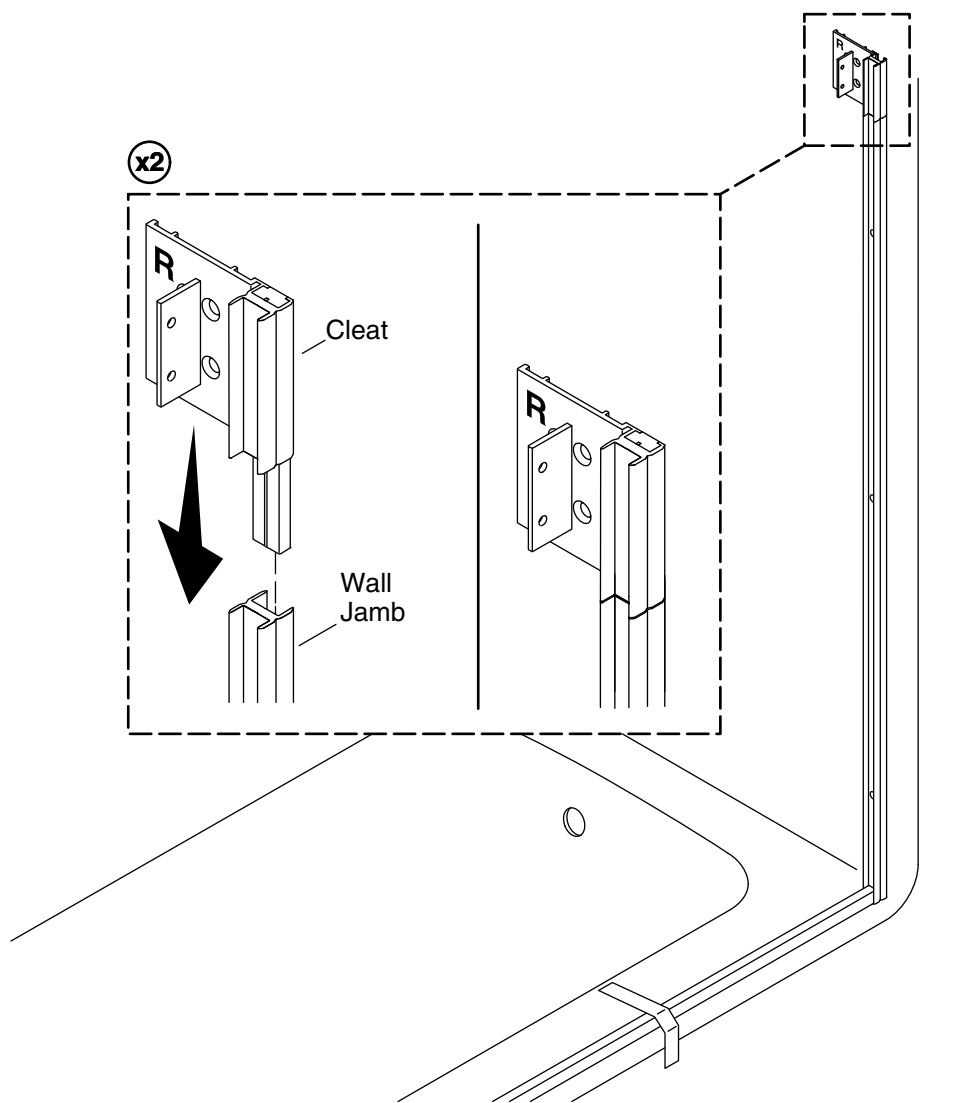
## 7. Drill Holes and Install Anchors

- Drill a 1/4" hole at each marked location. Use a masonry bit for tile walls.
- Install the provided wall anchors. If necessary, gently tap the anchors to fully seat them against the wall.
- Repeat for the opposite wall.
- Thoroughly clean the shower base/bath floor, ledge, and wall.



## 8. Install the Wall Jambs

- Replace the wall jamb, aligning it with the anchor holes.
- Secure the wall jamb with three #8-18 x 1-1/2" screws.
- Repeat for the second wall jamb.



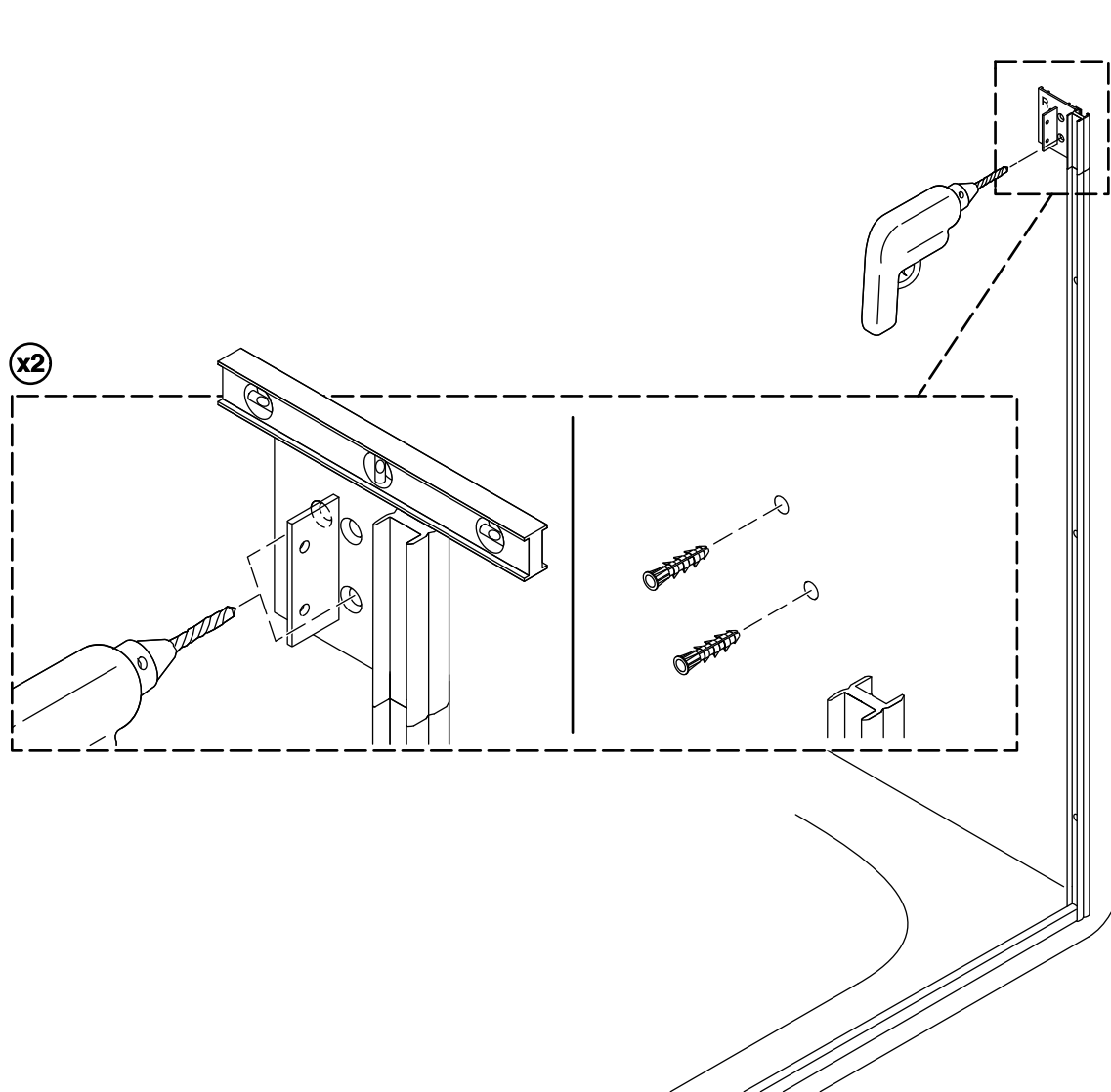
## 9. Position the Cleats

**NOTICE:** There is a left ("L") and right ("R") cleat. Position them so they are inside the shower area.

- Slide the cleat into the channel between the wall jamb and the wall.

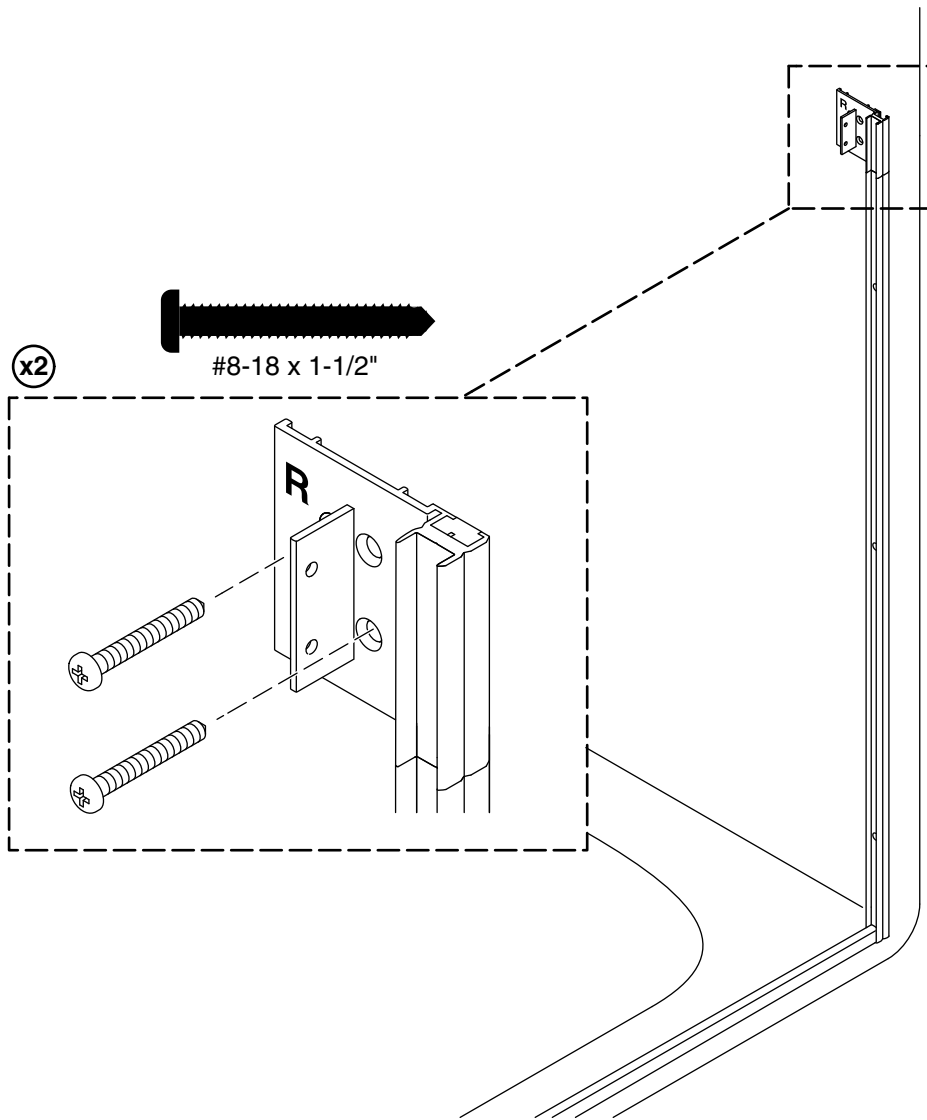
**NOTICE:** The cleat should be level and flat against the wall.

- Make sure the cleat sits flush against the top of the wall jamb.
- Repeat for the second cleat.



## 10. Install the Cleat Wall Anchors

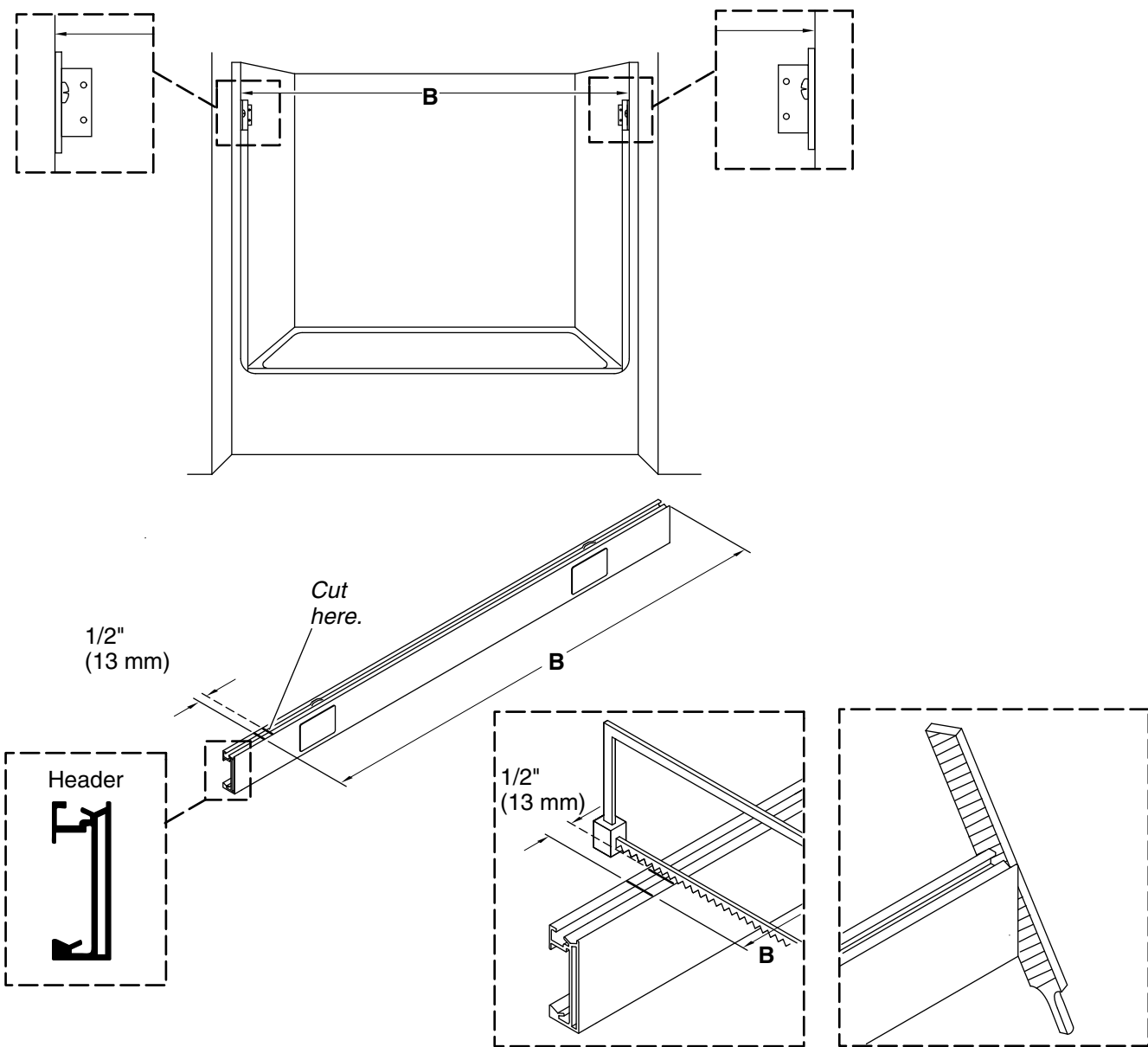
- Hold the cleat level and firmly in place and use it as a guide to drill two diagonally opposed (For example, top left and bottom right) 1/4" holes in the wall.
- Remove the cleat and install the provided wall anchors. If necessary, gently tap the anchors to fully seat them against the wall.
- Repeat for the second cleat.
- Thoroughly clean the shower base/bath floor, ledge, and wall.



## 11. Secure the Cleats

- Secure each cleat to the wall using two #8-18 x 1-1/2" screws.
- Make sure the cleats are still level. Loosen the screws and adjust the cleat position if needed.

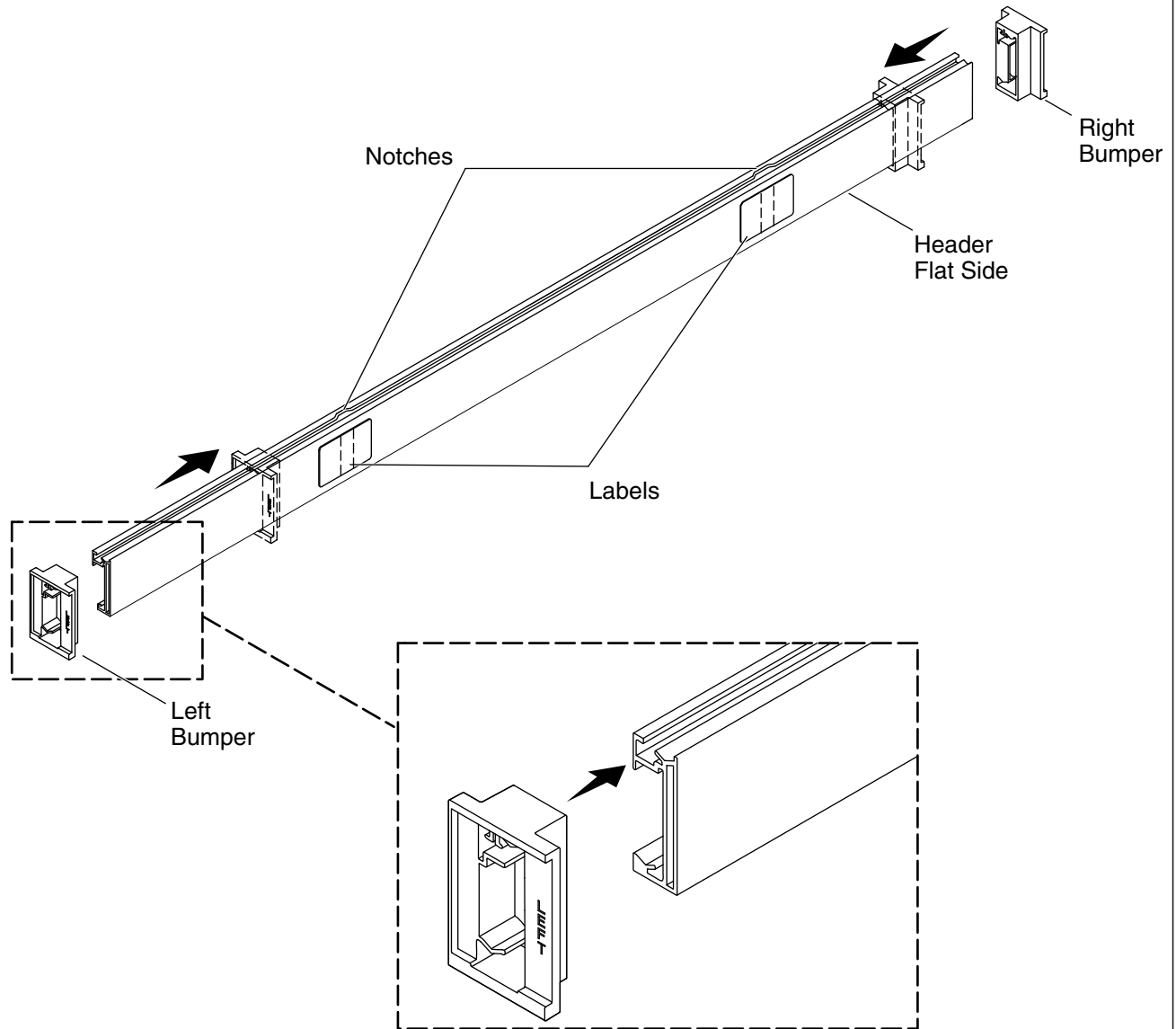
**NOTICE:** The second set of holes can be used if the cleat is not level. Repeat step 10 if needed.



## 12. Measure and Cut the Header

**IMPORTANT!** Confirm your measurements before cutting. **Do not cut the header too short.**

- Measure distance "B" between the walls and mark it on the header.
- Measure 1/2" (13 mm) from "B" and make a second mark on the header as shown.
- Cut the header at the second mark.
- File any rough edges and clean debris from the roller tracks.

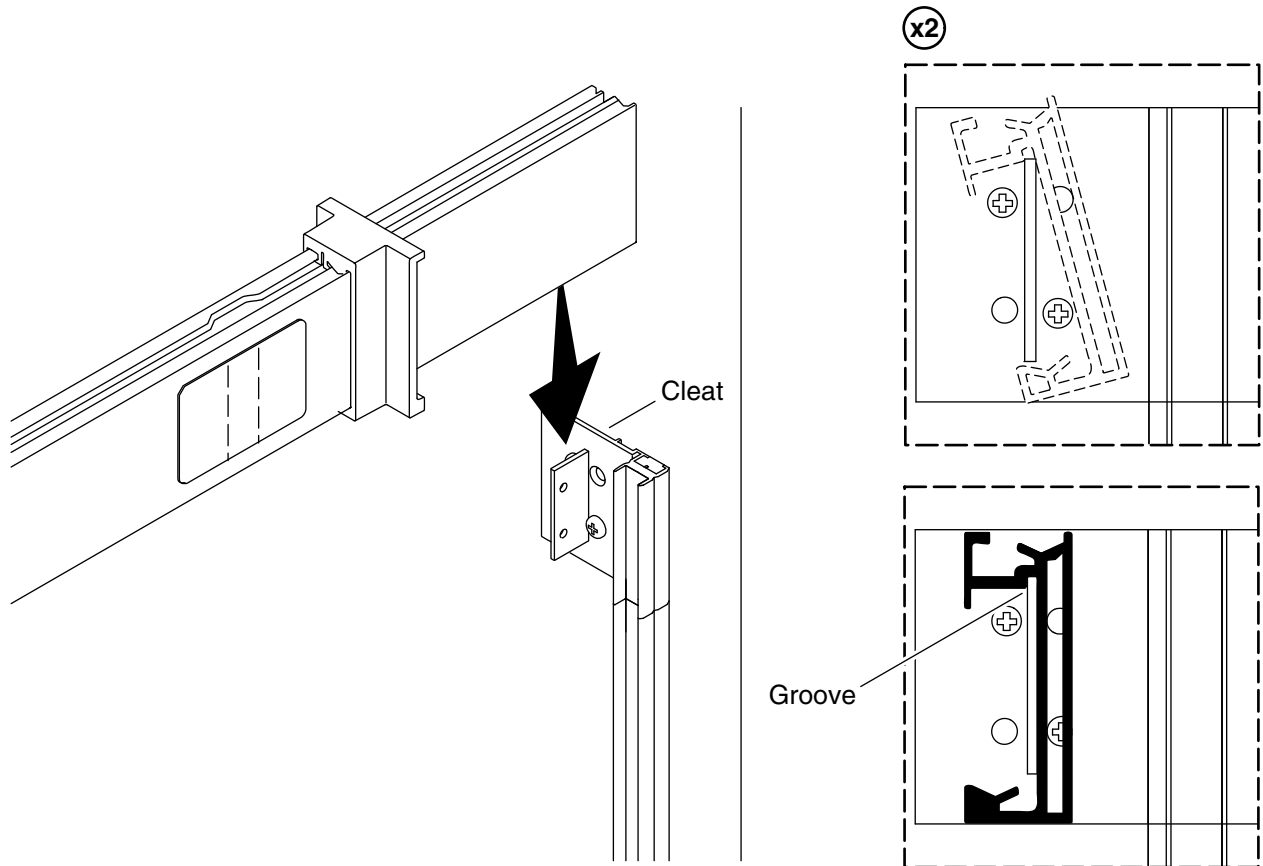


### 13. Install the Bumpers to the Header

**NOTICE:** The words “LEFT” and “RIGHT” are molded into the bumpers.

- Locate the labels on the header and observe how they align with the notches on top.
- With the labels on the header facing you, identify the left and right ends of the header.
- Slide the appropriate bumper onto each end of the header and move them towards the center.

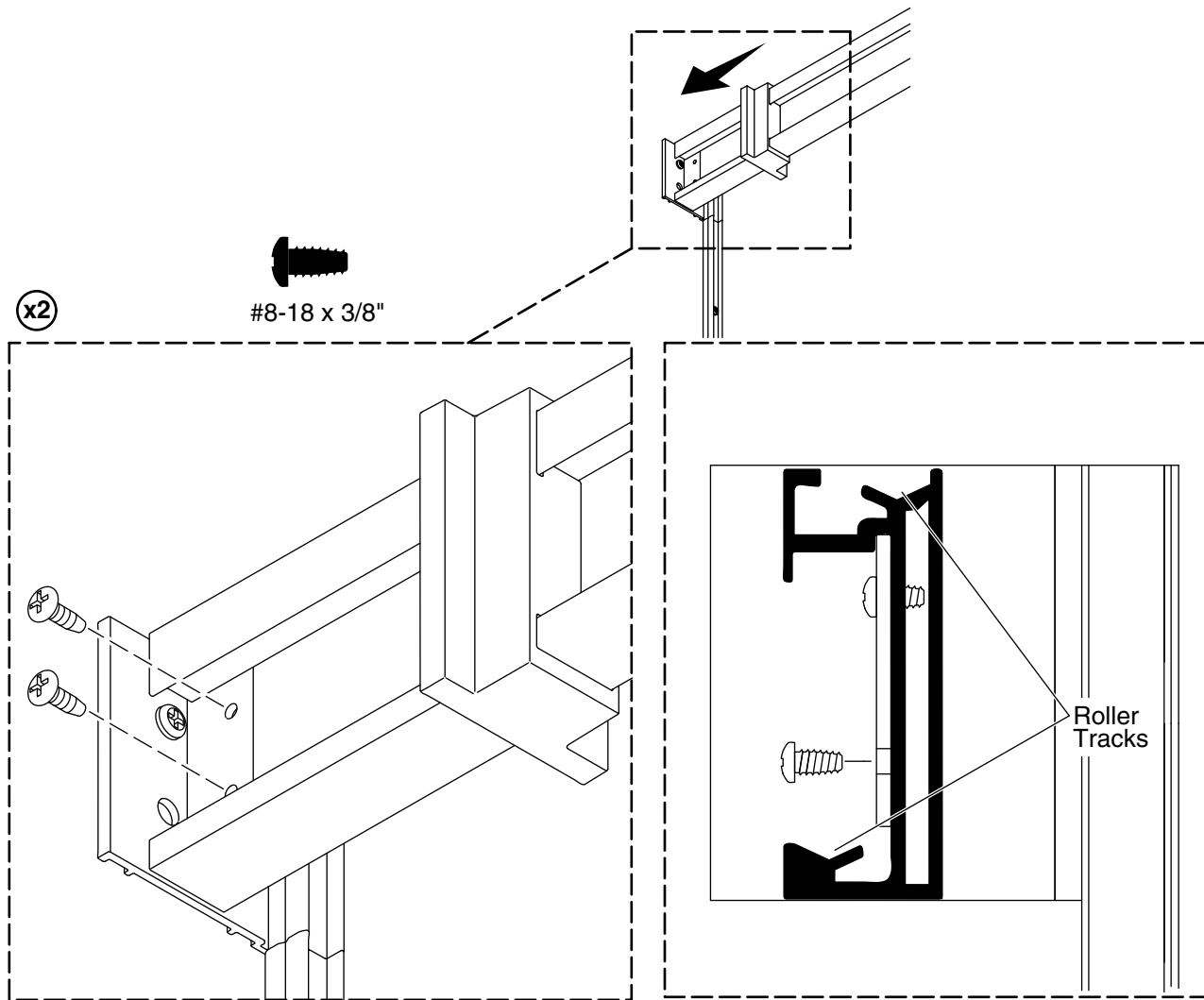




## 14. Position the Header

**NOTICE:** The labels on the header must face the outside of the shower.

- From inside the shower, raise the header above the cleats.
- Tilt the header and lower it onto the cleats as shown.
- The tops of the cleats should fit into the top inside groove of the header as shown.
- Rotate the header in place until it is flat against the cleats.

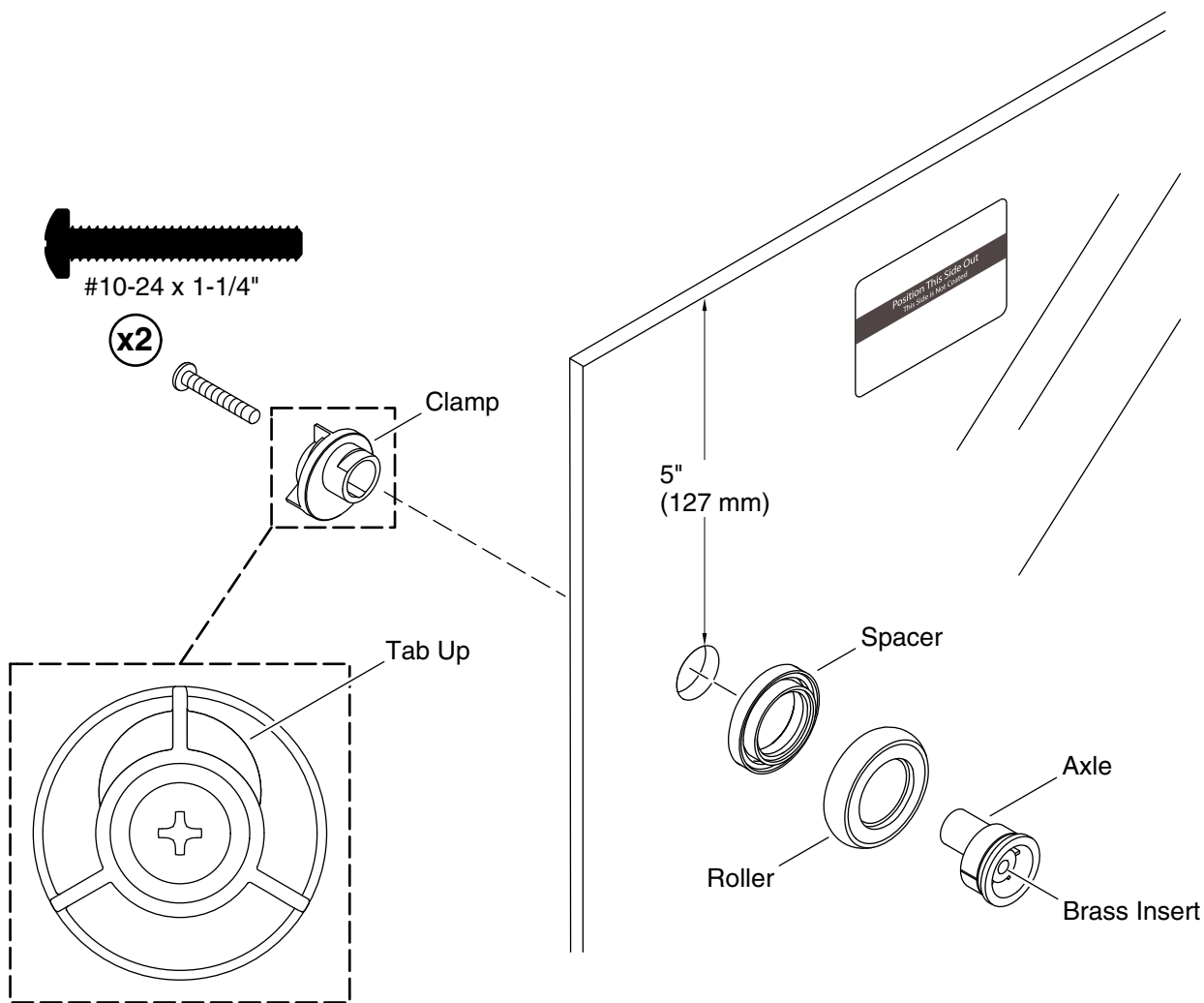


## 15. Secure the Header

- From inside the shower, secure the header to each cleat with two #8-18 x 3/8" self-drilling screws.

**NOTE:** Self-drilling screws do not require pre-drilling.

- Carefully and thoroughly clean the header. Make sure there is no debris in the roller tracks.
- Slide the bumpers flush against each wall.

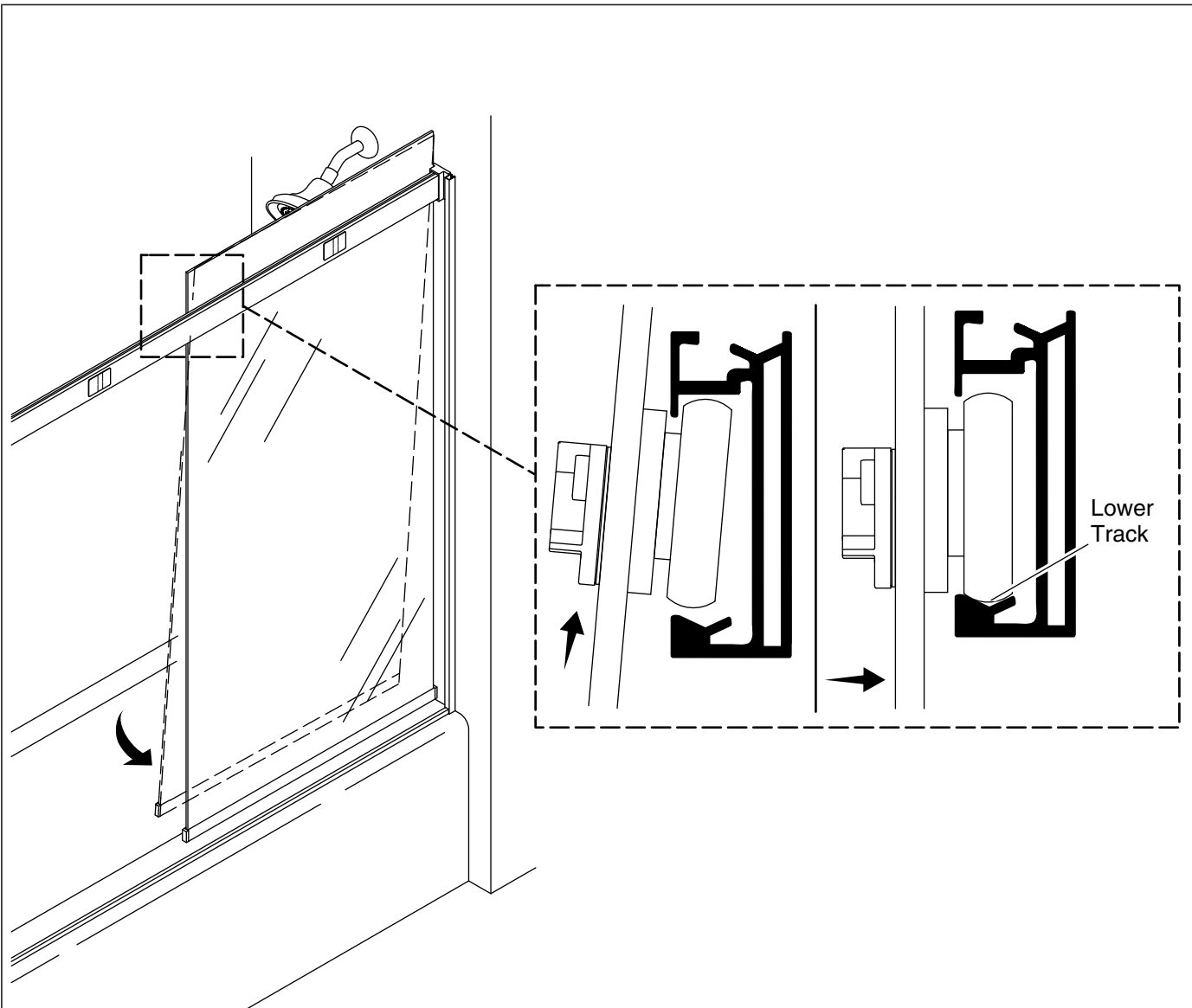


## 16. Assemble the Inside Panel

**NOTICE:** The inside panel roller mounting holes are 5" (127 mm) below the top of the panel.

**NOTICE:** The inside rollers contain a brass insert.

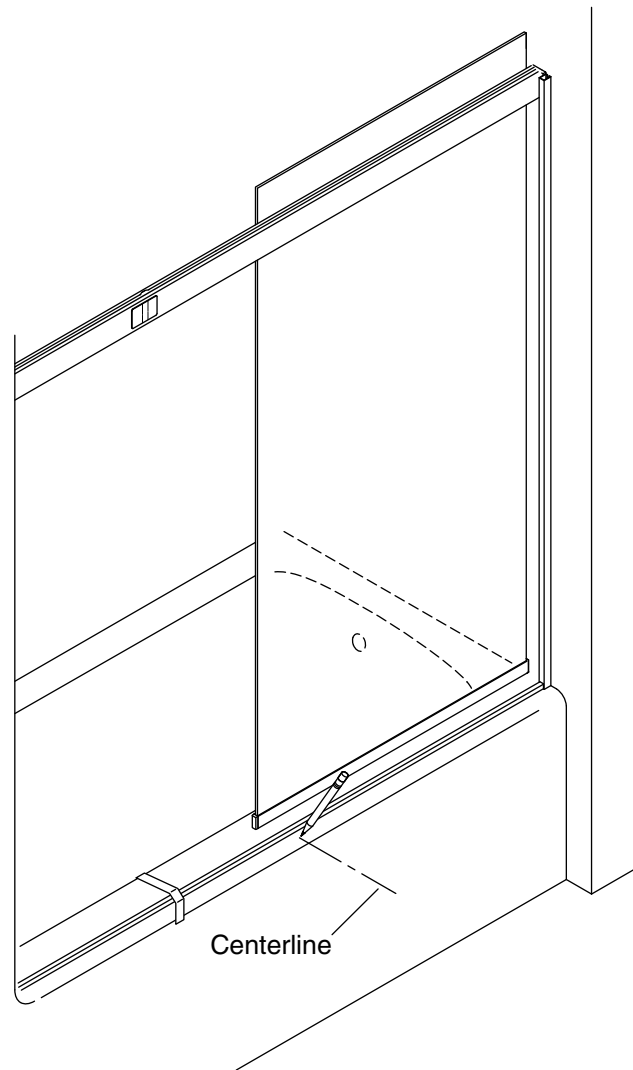
- Position each roller on the same side of the panel as the label.
- Install each inside roller with the tab on top. This will position the door at its highest setting, allowing for easier adjustment if necessary.
- Secure each roller with a #10-24 x 1-1/4" screw.
- Using a hand screwdriver only, **securely** tighten the screws.



## 17. Install the Inside Panel

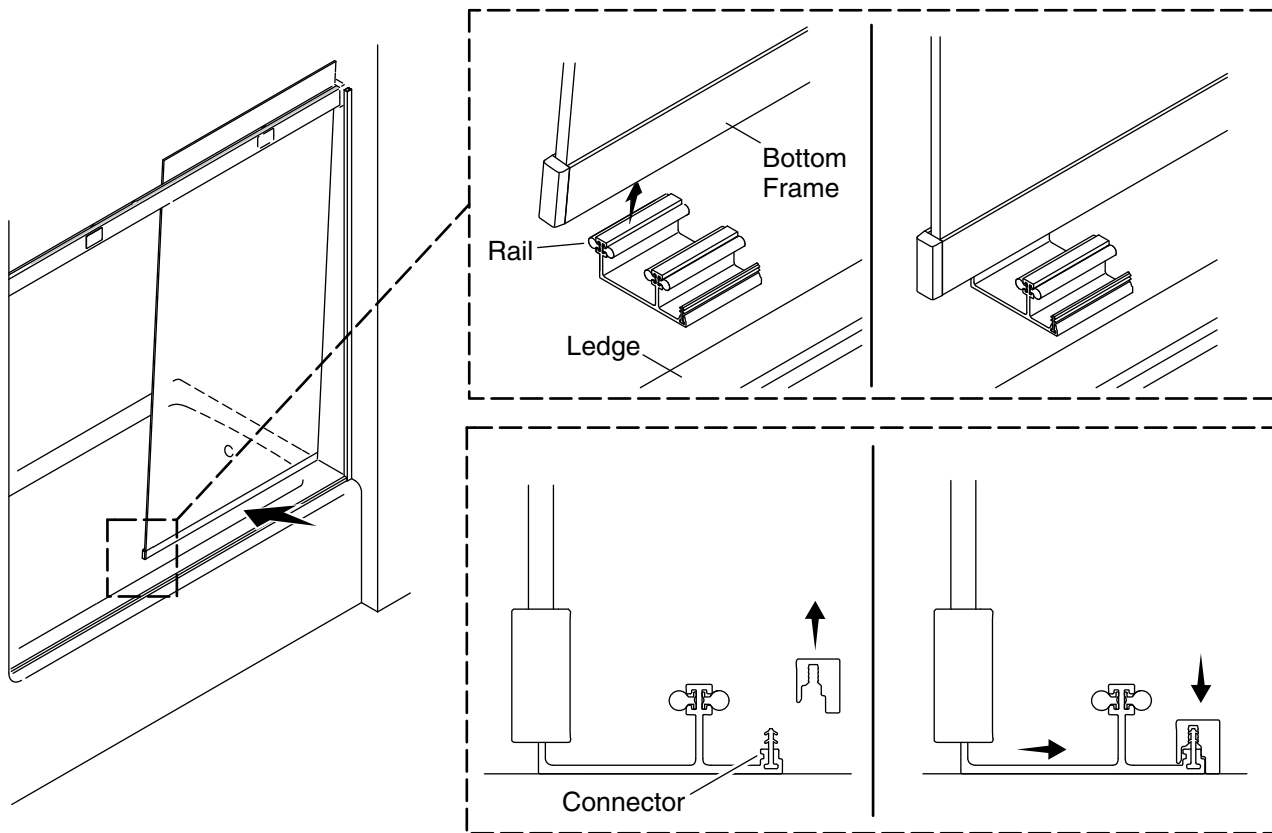
**NOTE:** The rollers and the label face the outside of the shower.

- With help, move the inside panel completely into the shower area.
- With help, from inside the shower, tilt the panel to position the tops of the rollers inside the header. Rest the rollers on the lower track of the header and set the panel in place.
- Ensure that the panel can roll back and forth smoothly. If necessary, adjust the rollers according to the instructions in Step 24.



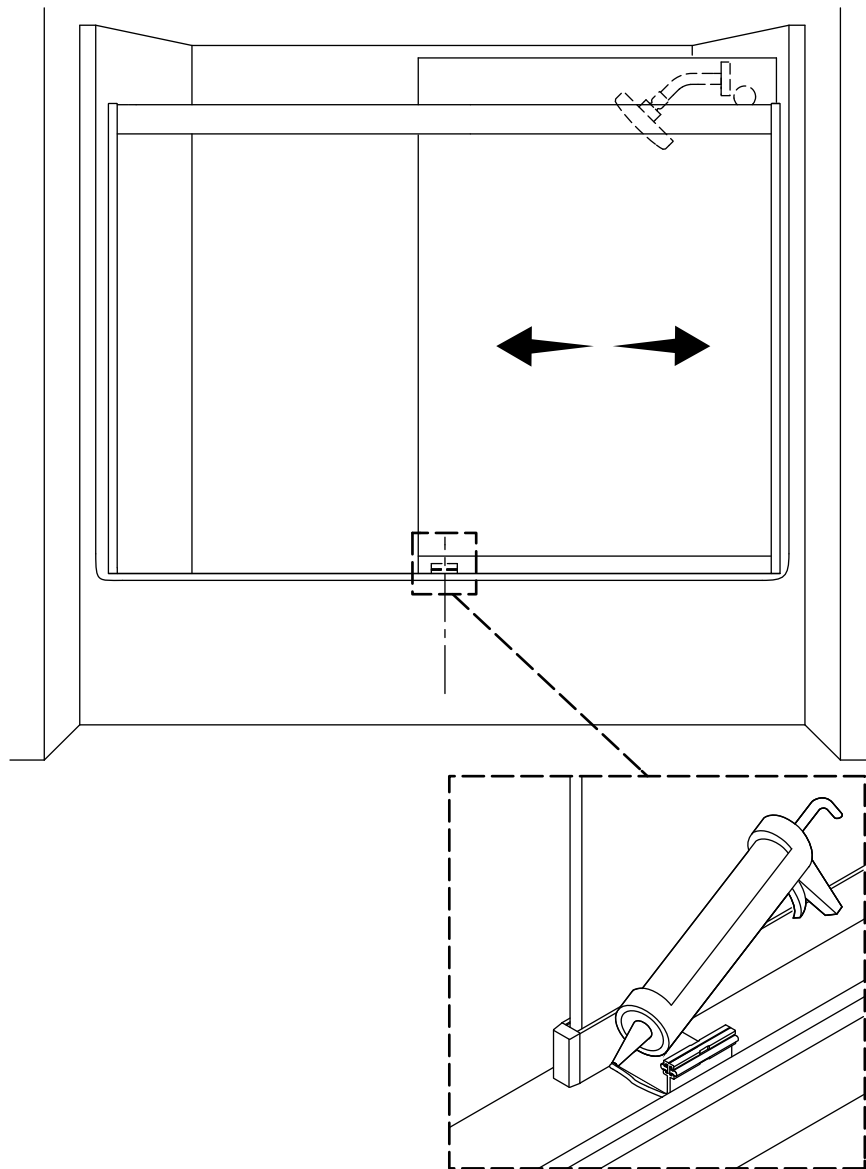
## 18. Measure and Mark the Threshold Center

- Measure and mark the center of the threshold on the outside of the shower base/bath ledge.
- Confirm the centerline mark by measuring the distance from the mark to each wall. If the measurements are not the same, adjust the mark as needed.
- Remove the tape holding the threshold in place.



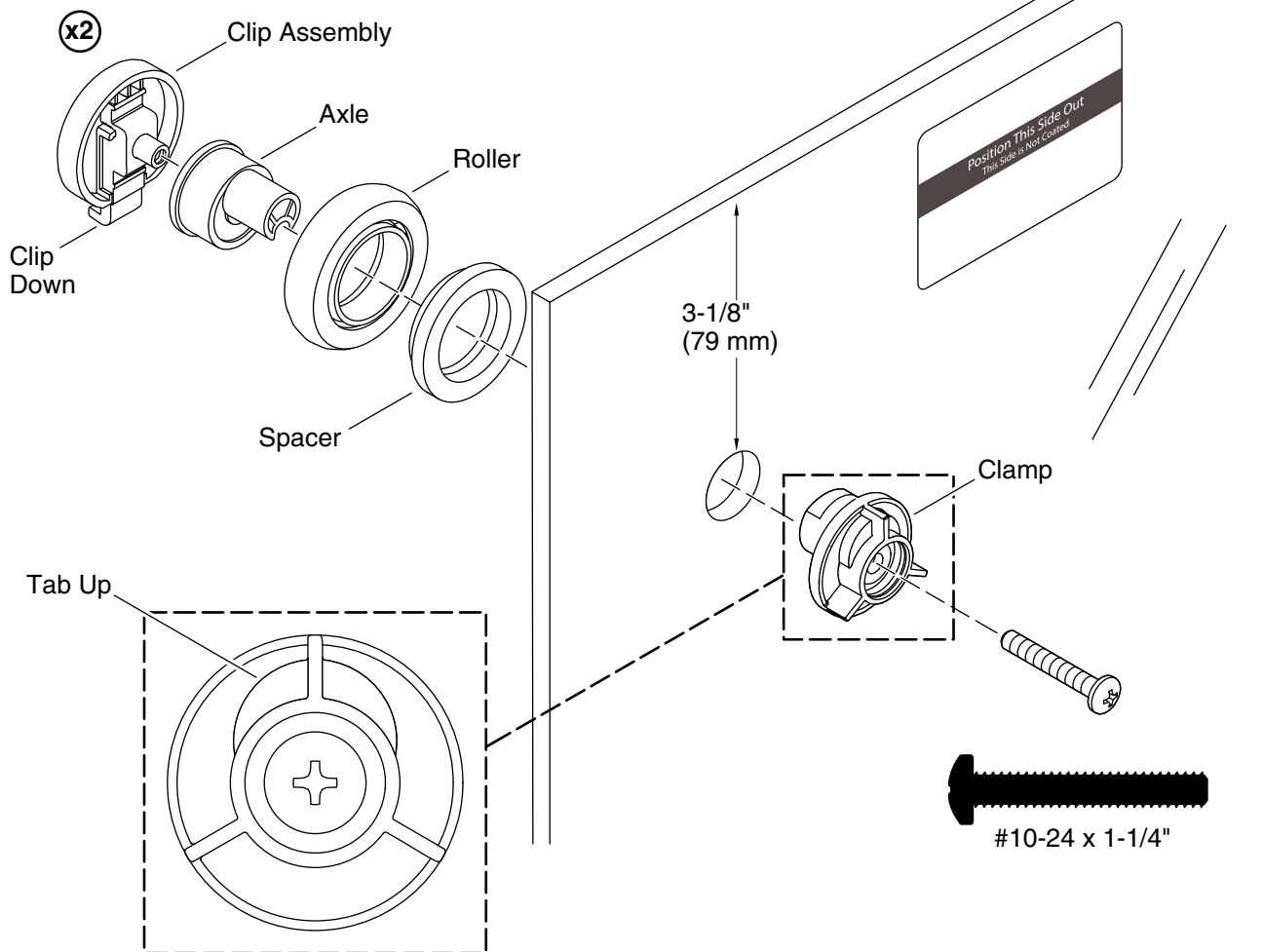
## 19. Install the Centerguide

- From the outside of the shower, slide panel to one side.
- Tilt panel approximately 3" into the shower.
- Insert the centerguide rail into the open channel of the bottom frame as shown.
- Allow the panel to swing back to its original position.
- Center the centerguide on the shower base/bath ledge.
- Lift the threshold and push completely down over the centerguide connector. You should hear the connector snap into the threshold groove, and the threshold should sit flat on the shower base/bath ledge.



## 20. Install the Centerguide (Cont.)

- Slide the door panel to both walls and make sure the bottom bumpers on the panel do not contact the centerguide.
- If needed, adjust the position of the centerguide to avoid contact.
- When positioned correctly, tape the threshold in place and apply 100% silicone sealant around the base of the centerguide.

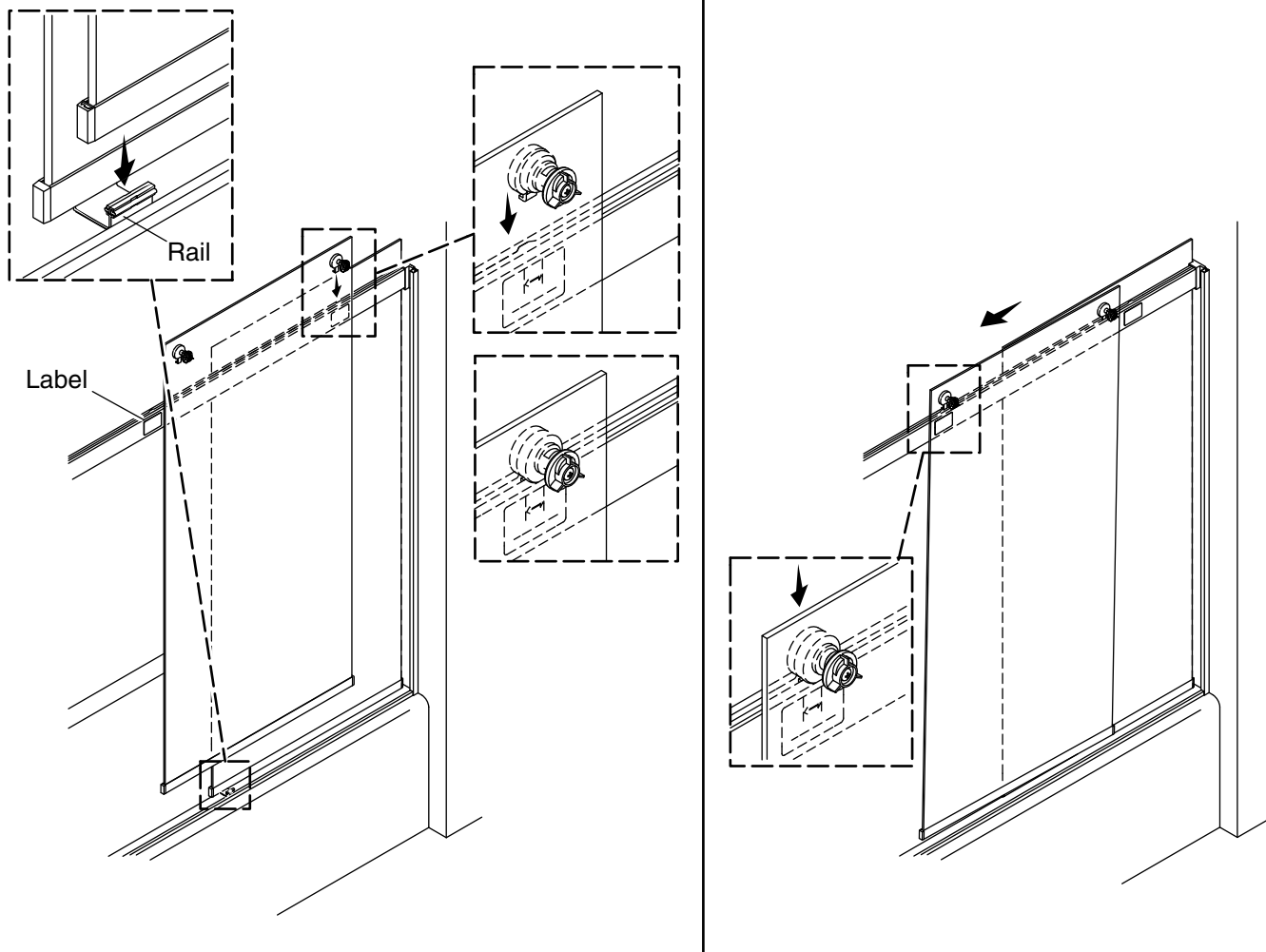


## 21. Assemble the Outside Panel

**NOTICE:** The outside panel roller mounting holes are 3-1/8" (79 mm) below the top of the panel.

- Position the roller on the opposite side of the panel as the label.
- Install the outside rollers with the tab on the clamp on top.
- Secure each roller with a #10-24 x 1-1/4" screw.
- Hold the clip downwards as the screw is tightened.
- Using a hand screwdriver only, tighten the screws **securely** until the clip cannot be rotated by hand.

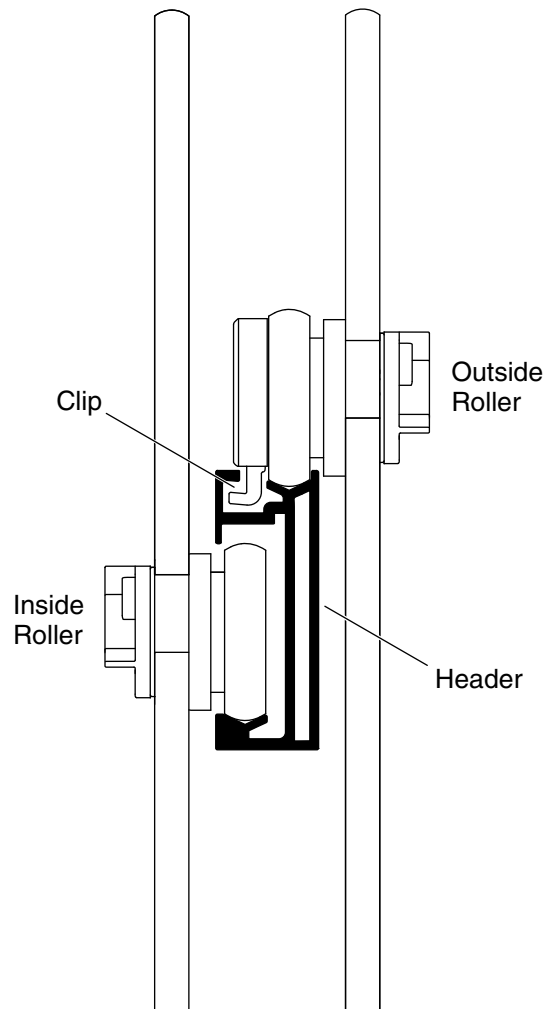




## 22. Install the Outside Panel

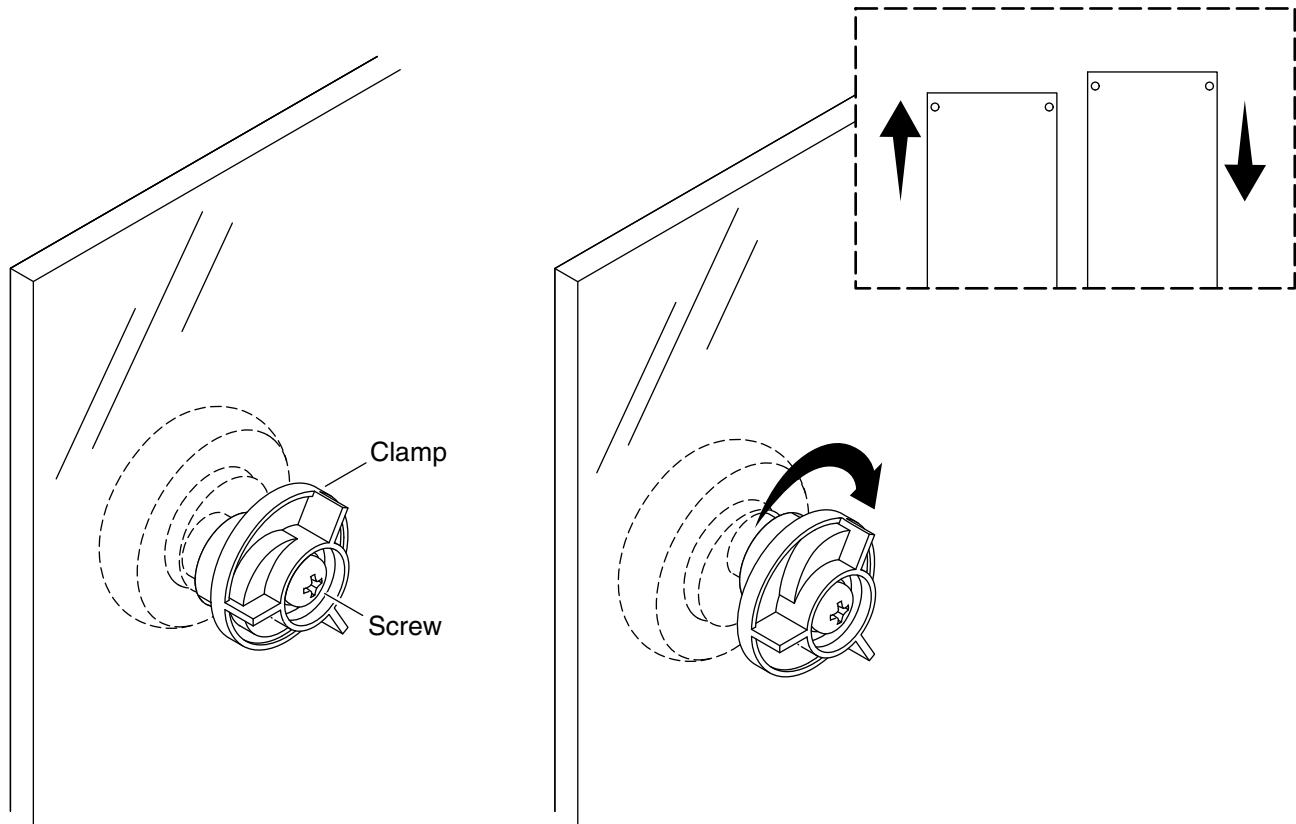
**NOTICE:** Locate the notches on the header, which are aligned with the "Panel Installation Area" labels.

- With help, from outside the shower, lift the panel and position the open channel of the bottom frame over the centerguide rail.
- With help, lift the panel, align one roller clip with a notch, and set the roller on the roller track.
- Lift the opposite end of the panel so the second roller is above the header. Slide the panel to align the second roller clip with the second notch. Set the roller onto the roller track.



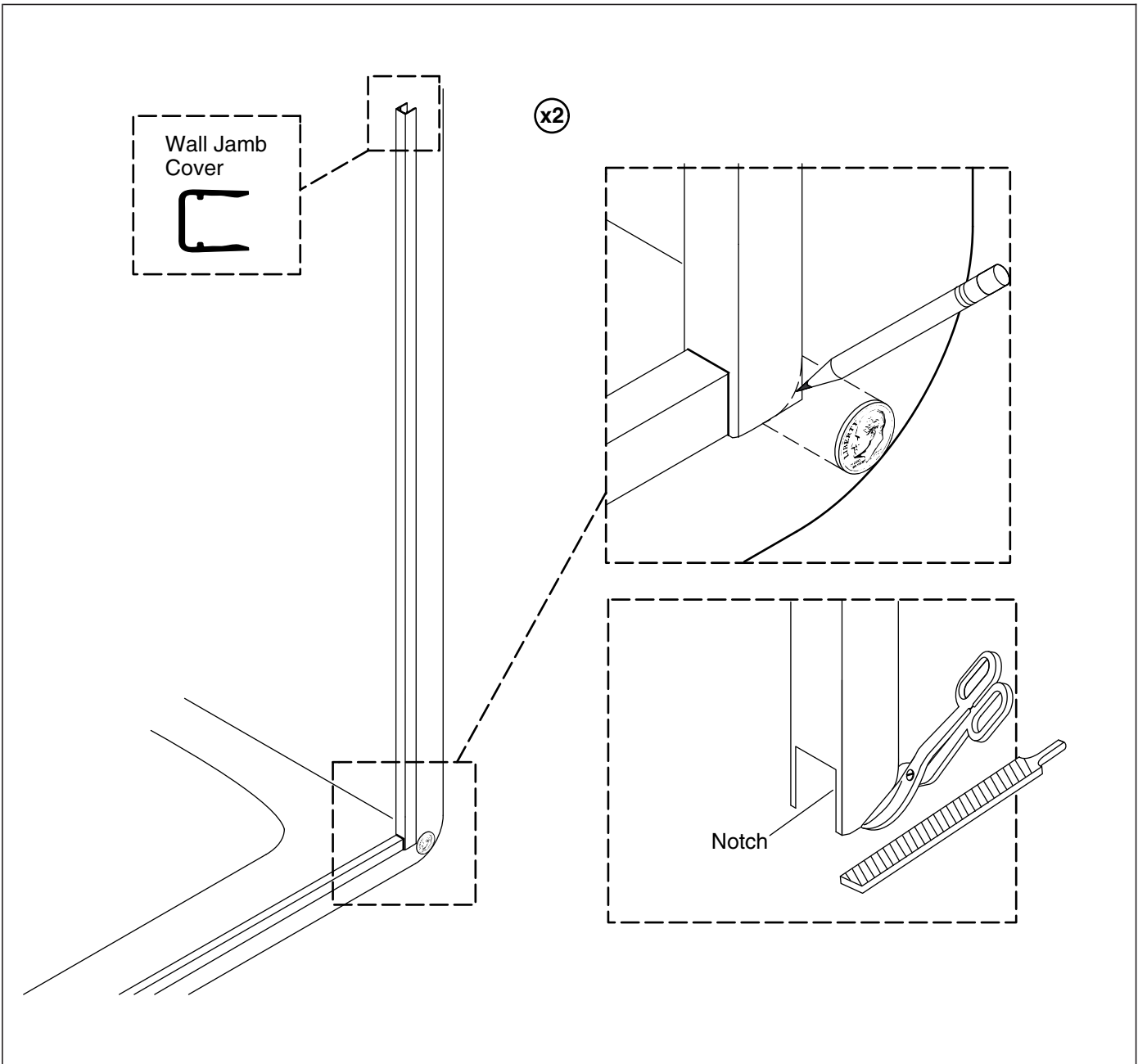
## 23. Confirm Correct Roller Installation

- Confirm all rollers are engaged in the header tracks.
- The tops of the inside rollers should be inside the header.
- The clips on the outside rollers should be engaged inside the top edge of the header. They should not be visible.



## 24. Adjust the Rollers

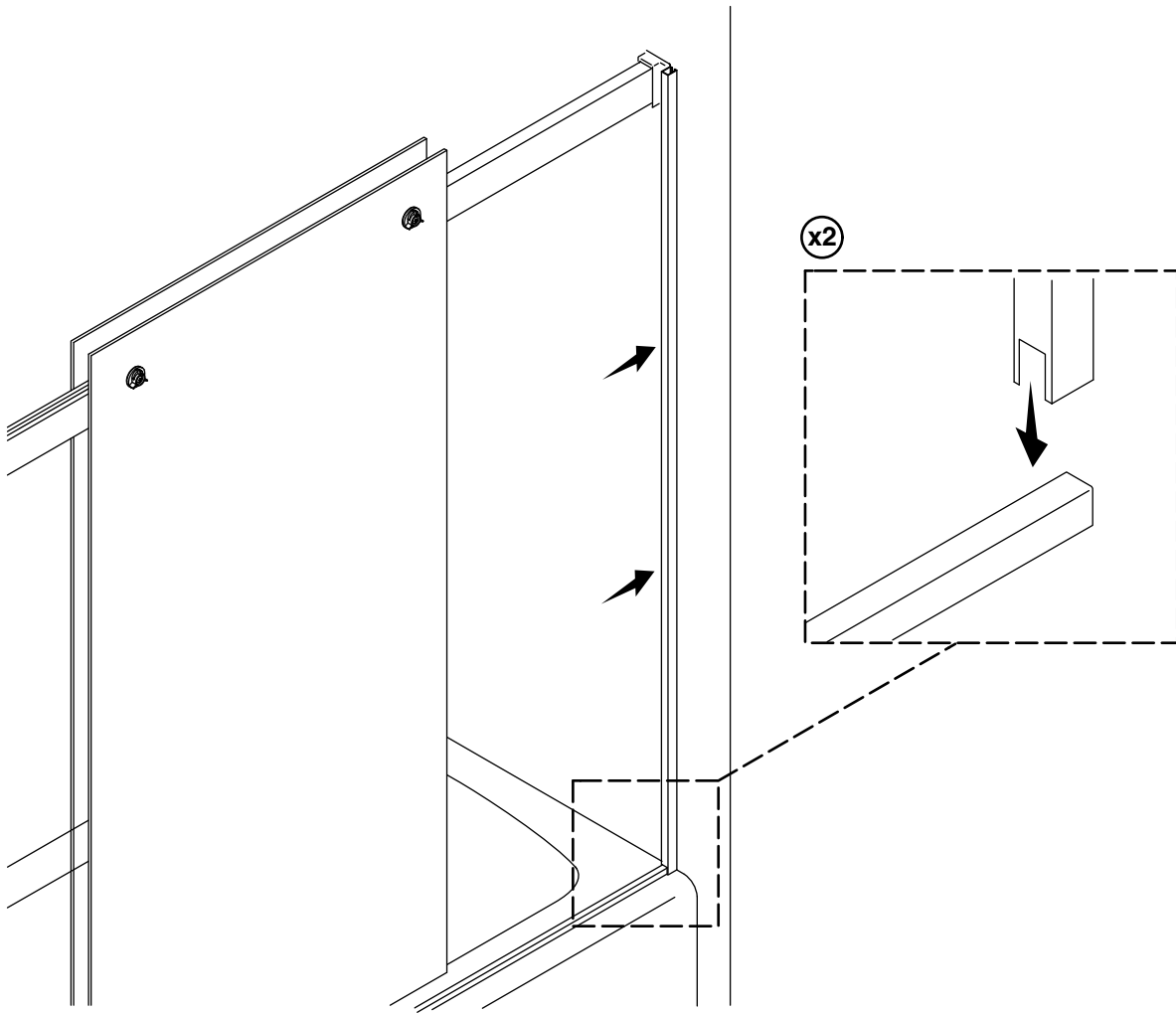
- The rollers may require adjustment if a panel does not move, makes a scraping sound when moved, or if an upper or lower bumper does not make contact when closed.
- Adjust the alignment of each end of the panel by loosening the screws and turning the adjustment clamp.
- When adjusting the outside panel, hold the clip cover straight while securely tightening the screws so the clip does not scrape in its track.
- Repeat until the door operates smoothly and aligns evenly with the shower walls.
- Confirm the clips are still oriented correctly (see step 23). **Securely** tighten the screws.



## 25. Shape the Wall Jamb Covers

**IMPORTANT!** The wall jamb covers must sit tight on the ledge and be flat against the wall.

- If needed, shape and file the bottom corner of the wall jamb cover to match the corner radius of the shower wall.
- Repeat for the second wall jamb cover.

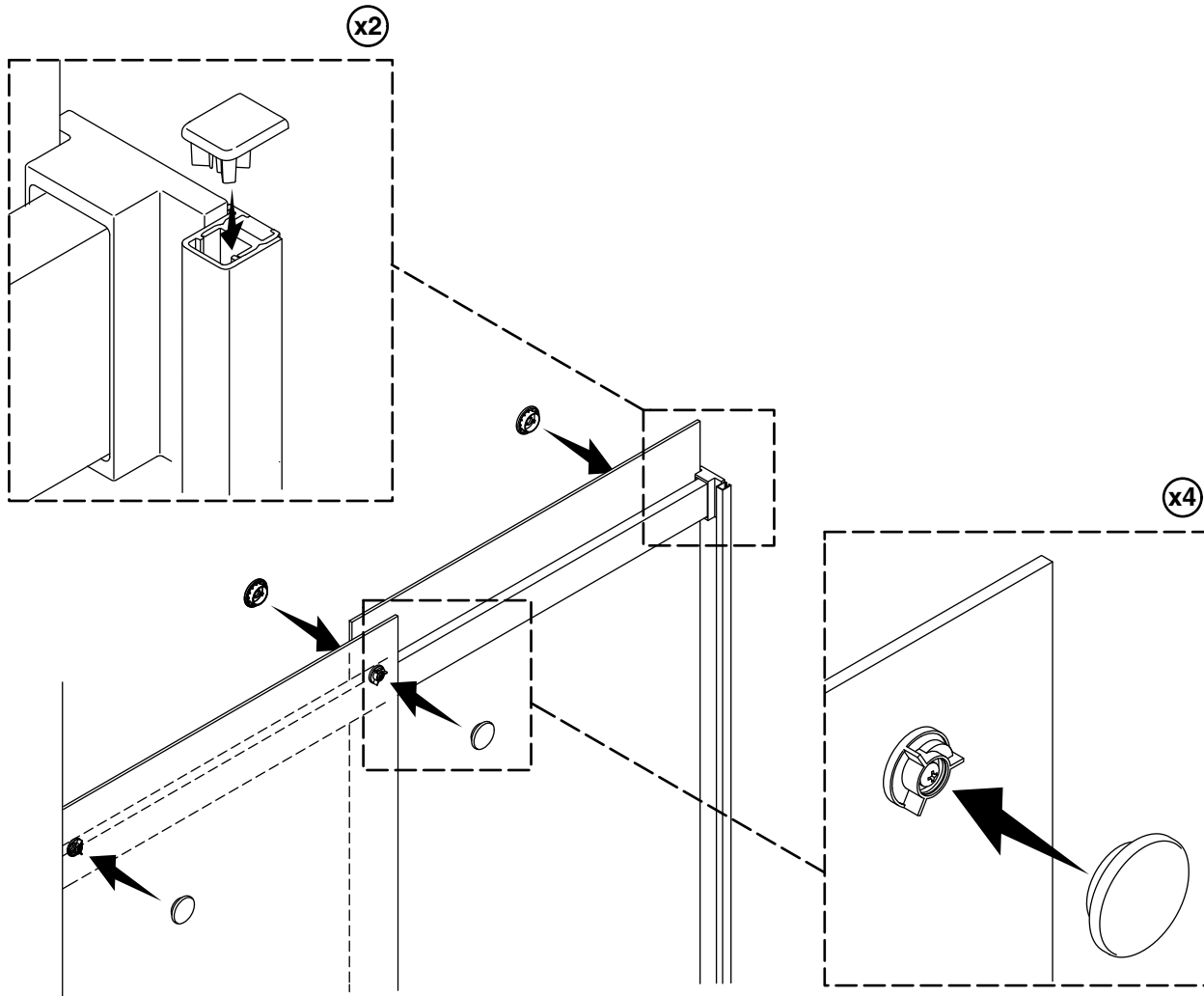


## 26. Install the Wall Jamb Covers

- Position the notch in the wall jamb cover over the threshold.
- Press the wall jamb cover onto the wall jamb.

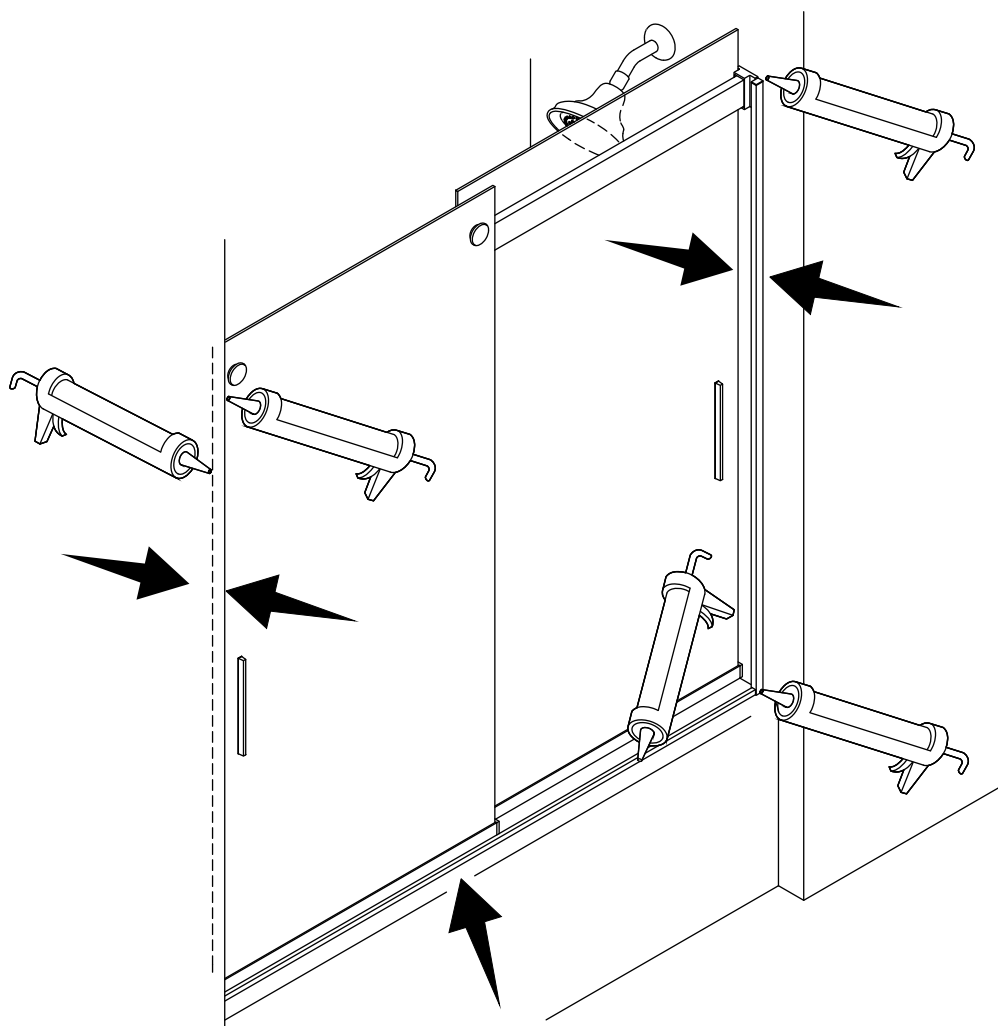
**NOTICE:** The wall jamb covers will not sit flush against the wall.

- Repeat for the second wall jamb cover.



## 27. Install the Caps

- Snap a cap into place on each of the four rollers.
- Press a cap into the top of each wall jamb.



## 28. Install Bar/Handle and Apply Silicone

- Install the towel bar or handle using the separate instructions provided.
- Apply 100% silicone sealant along the wall jambs inside and outside the shower, and along the outside edge of the threshold.

## Care and Cleaning

For best results, keep the following in mind when caring for your KOHLER product:

- Always test your cleaning solution on an inconspicuous area before applying to the entire surface.
- Wipe surfaces clean and rinse completely with water immediately after applying cleaner. Rinse and dry any overspray that lands on nearby surfaces.
- Do not allow cleaners to soak on surfaces.
- Use a soft, dampened sponge or cloth. Never use an abrasive material such as a brush or scouring pad to clean surfaces.

## Care and Cleaning (cont.)

- The ideal cleaning technique is to rinse thoroughly and wipe the product dry after each use.

For detailed cleaning information and products to consider, visit [www.kohler.com/clean](http://www.kohler.com/clean). To order Care & Cleaning information, call 1-800-456-4537.

## Troubleshooting

This troubleshooting guide is for general aid only. For service and installation issues or concerns, call 1-800-4-KOHLER.

### Troubleshooting Table

Symptoms	Probable Cause	Recommended Action
1. The door is noisy when opened or closed.	<p><b>A.</b> An outer roller clip is not pointed straight down and is scraping in the header.</p> <p><b>B.</b> An outer roller is not tight, causing the clip to scrape in the header.</p> <p><b>C.</b> Door panels are too low, causing them to scrape on the base of the centerguide or on the shower base/bath ledge.</p> <p><b>D.</b> Rollers have worn and are noisy.</p>	<p><b>A.</b> Loosen the outer roller screw, rotate the clip so that it points straight down and is engaged in the header, and securely tighten the roller screw.</p> <p><b>B.</b> Tighten the outer roller screws, ensuring that the clips point straight down.</p> <p><b>C.</b> Adjust the rollers to raise the door panels so they no longer scrape. See step 24.</p> <p><b>D.</b> Replace the rollers.</p>
2. The door is hard to move or does not open.	<p><b>A.</b> A roller clip is not pointed straight down and is scraping in the header.</p> <p><b>B.</b> Door panels are too low, causing them to scrape on the base of the centerguide or on the shower base/bath ledge.</p>	<p><b>A.</b> Loosen the roller screw, rotate the clip so that it points straight down and engaged in the header, and securely tighten roller screw.</p> <p><b>B.</b> Adjust the rollers to raise the door panels so they no longer scrape.</p>
3. The door panels are free to swing in and out of the shower.	<p><b>A.</b> The centerguide is not installed.</p> <p><b>B.</b> The centerguide is not installed in the correct location.</p> <p><b>C.</b> The door panels are not correctly installed on the centerguide.</p> <p><b>D.</b> The door is the incorrect size for the shower opening.</p>	<p><b>A.</b> Install the centerguide according to the instructions.</p> <p><b>B.</b> Install the centerguide on the center of the shower base/bath ledge.</p> <p><b>C.</b> The centerguide rails should be inside the bottom frames of the door panels.</p> <p><b>D.</b> Obtain the correct product for your shower opening.</p>
4. The centerguide is loose.	<p><b>A.</b> The threshold is not completely installed over the centerguide.</p> <p><b>B.</b> The centerguide is not correctly installed on the shower base/bath ledge.</p> <p><b>C.</b> The centerguide is not installed in the correct location.</p> <p><b>D.</b> Door panels are too low, causing them to scrape on the base of the centerguide or on the shower base/bath ledge.</p>	<p><b>A.</b> Press the threshold firmly down on the centerguide connector until the two parts snap together.</p> <p><b>B.</b> Apply 100% silicone sealant around the entire centerguide. This is easiest done if the outside panel is removed.</p> <p><b>C.</b> Install the centerguide on the center of the shower base/bath ledge.</p> <p><b>D.</b> Adjust the rollers to raise the door panels so they no longer scrape. See step 24.</p>



## Troubleshooting (cont.)

### Troubleshooting Table

Symptoms	Probable Cause	Recommended Action
5. Water leaks.	<p>A. Water leaks under the threshold.</p> <p>B. Water leaks under a door panel.</p> <p>C. Water leaks under a door panel.</p> <p>D. Water leaks between door panels.</p> <p>E. Water leaks between a door panel and a wall jamb.</p> <p>F. Water leaks between a door panel and a wall jamb.</p> <p>G. Water leaks behind wall jamb.</p>	<p>A. Apply 100% silicone sealant to the outside edge of the threshold. See silicone sealant manufacturer's instructions before using shower.</p> <p>B. Adjust the rollers so the bottoms of the door panels are closer to the shower base/bath ledge. See step 24.</p> <p>C. Remove wall jamb covers and make sure cleats are installed correctly. If there is a gap between the wall jamb and the cleat, the door panels could be installed too high.</p> <p>D. When showering, make sure that the inside panel is closest to the showerhead.</p> <p>E. Adjust the rollers so that the bumpers contact the wall and the door panel evenly. See step 24.</p> <p>F. Order and install the optional seal kit.</p> <p>G. Apply 100% silicone sealant to the outside and inside edges of the wall jamb. See silicone sealant manufacturer's instructions before using shower.</p>
6. Handle is not securely installed.	A. Door panel not properly cleaned before handle installed or handle not pressed down firmly during installation.	A. Clean door panel and install new handle.

## Warranty

### ONE-YEAR LIMITED WARRANTY

KOHLER plumbing products are warranted to be free of defects in material and workmanship for one year from date of installation.

Kohler Co. will, at its election, repair, replace or make appropriate adjustment where Kohler Co. inspection discloses any such defects occurring in normal usage within one (1) year after installation. Kohler Co. is not responsible for removal or installation costs. **Use of in-tank toilet cleaners will void the warranty.**

To obtain warranty service contact Kohler Co. either through your Dealer, Plumbing Contractor, Home Center or E-tailer, or by writing Kohler Co., Attn.: Customer Care Center, 444 Highland Drive, Kohler, WI 53044, USA, or by calling 1-800-4-KOHLER (1-800-456-4537) from within the USA and Canada, and 001-800-456-4537 from within Mexico, or visit [www.kohler.com](http://www.kohler.com) within the USA, [www.ca.kohler.com](http://www.ca.kohler.com) from within Canada, or [www.mx.kohler.com](http://www.mx.kohler.com) in Mexico.

**IMPLIED WARRANTIES INCLUDING THAT OF MERCHANTABILITY AND FITNESS FOR A PARTICULAR PURPOSE ARE EXPRESSLY LIMITED IN DURATION TO THE DURATION OF THIS WARRANTY. KOHLER CO. AND/OR SELLER DISCLAIM ANY LIABILITY FOR SPECIAL, INCIDENTAL OR CONSEQUENTIAL DAMAGES.** Some states/provinces do not allow limitations on how long an implied warranty lasts, or the exclusion or limitation of special, incidental or consequential damages, so these limitations and exclusions may not apply to you. This warranty gives you specific legal rights. You may also have other rights which vary from state/province to state/province.

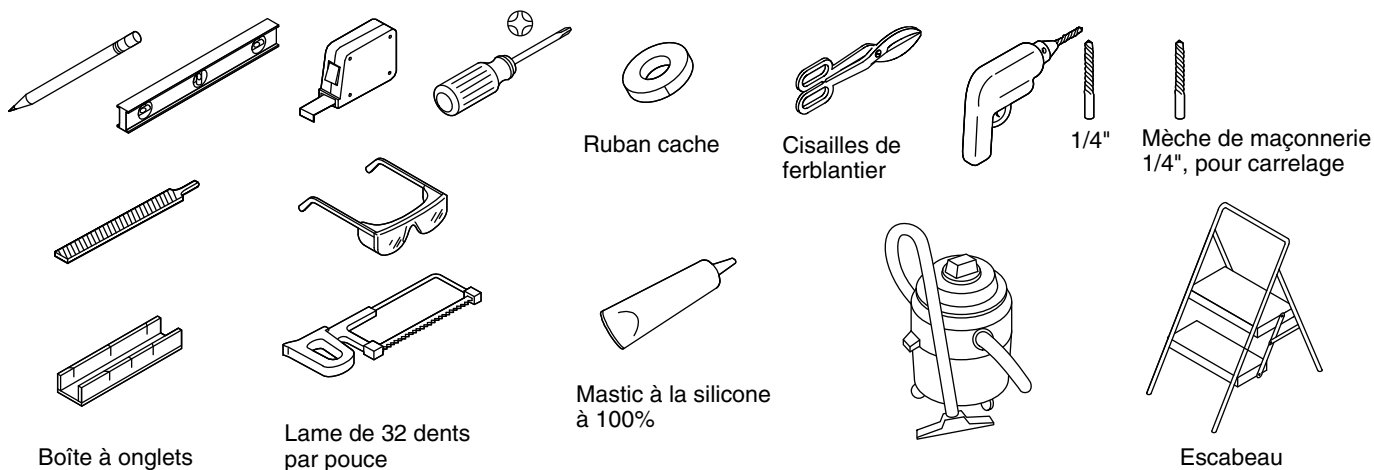
**Warranty (cont.)**

**This is Kohler Co.'s exclusive written warranty.**







# Guide d'installation et d'entretien

## Portes coulissantes de douche et de baignoire

### Outils et matériel



### Avant de commencer

-  **AVERTISSEMENT: Risque de blessures graves.** Des dommages avant l'installation peuvent entraîner des éclatements de verre. Inspecter le verre et toutes les pièces pour y rechercher des dommages avant l'installation.
-  **AVERTISSEMENT: Risque de blessures graves.** Une installation incorrecte peut entraîner des éclatements de verre. Suivre toutes les instructions d'installation.
-  **AVERTISSEMENT: Risque de blessures graves.** Ne pas couper le verre trempé. Le verre trempé éclate lorsqu'il est coupé.
-  **AVERTISSEMENT: Risque de blessures graves.** La porte de la douche et les panneaux latéraux peuvent éclater. Inspecter régulièrement le verre et toutes les pièces pour y rechercher des dommages, ou des pièces manquantes ou desserrées.
-  **AVERTISSEMENT: Risque de blessures graves.** Toujours porter des lunettes de sécurité pendant la découpe et le perçage.
-  **ATTENTION: Risque de blessures.** Le verre trempé ne doit pas entrer en contact avec des surfaces dures, car il risquerait de se briser. Ne pas toucher le bord du panneau de verre trempé avec des outils ou d'autres objets durs.

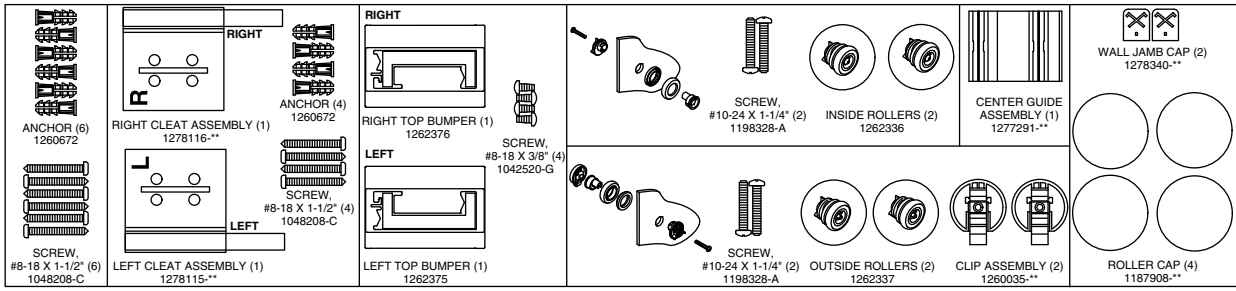
**IMPORTANT!** Laisser ce manuel pour l'utilisateur final. Lire ces instructions avant d'installer ou d'utiliser ce produit.

**IMPORTANT!** Cette porte est conçue pour s'adapter à des murs qui ont un faux aplomb de moins de 3/8" (10 mm). Vérifier que la zone sur laquelle la porte sera fixée est comprise dans un rayon de 3/8" (10 mm) de l'aplomb. La porte risque de ne pas fonctionner correctement si le faux aplomb du mur est supérieur à 3/8" (10 mm).

- Couvrir le drain avec du ruban adhésif pour éviter de perdre les petites pièces.
- Identifier toutes les pièces avant l'installation.

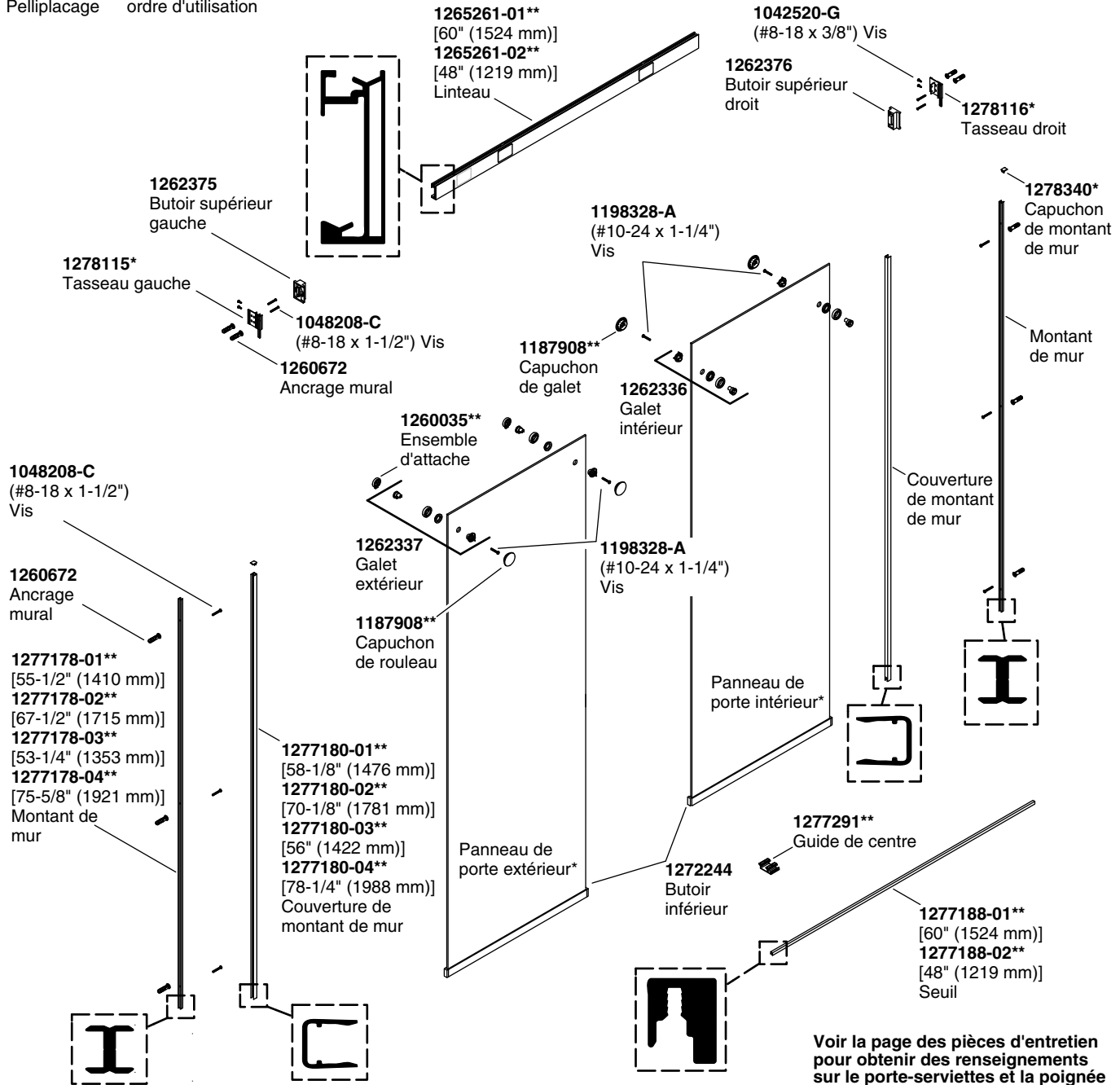
### **Avant de commencer (cont.)**

- Identifier le panneau intérieur et le panneau extérieur en comparant la distance entre le bord supérieur du verre et l'orifice de fixation des rouleaux. Les rouleaux situés sur le panneau intérieur sont montés à un niveau inférieur de celui du panneau extérieur.
- Suivre les instructions du fabricant du mastic à la silicone en ce qui concerne l'application et le temps de prise.



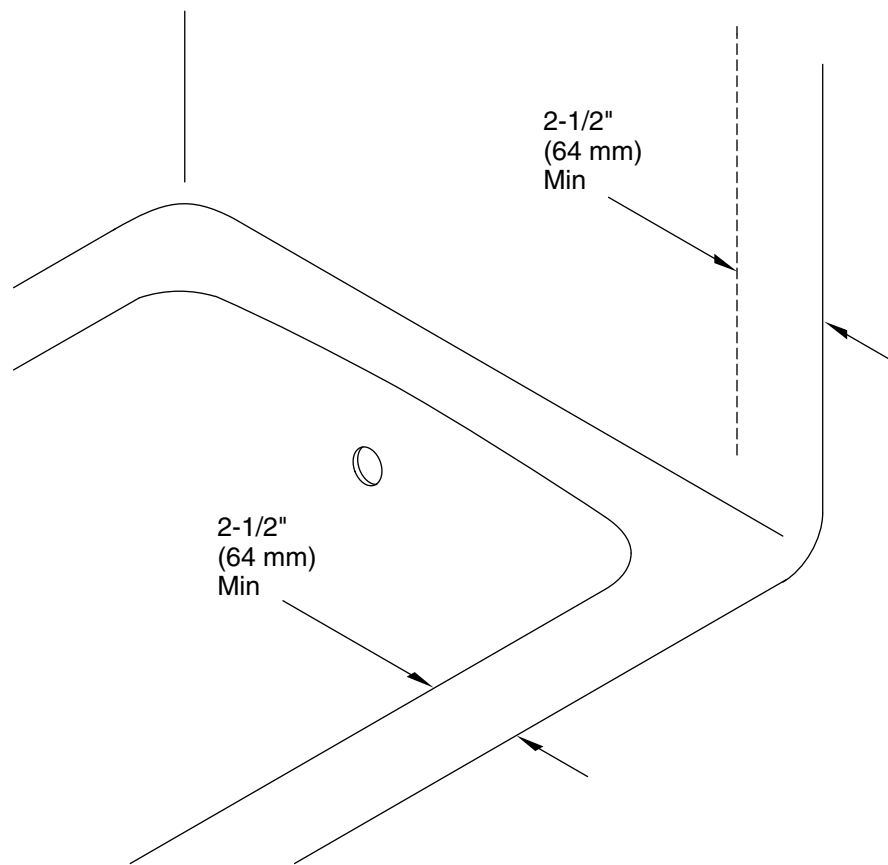
**1281033-\*\*-\*\***  
Pelliplacage

Pièces illustrées dans leur ordre d'utilisation



Voir la page des pièces d'entretien pour obtenir des renseignements sur le porte-serviettes et la poignée

**Identification des pièces**

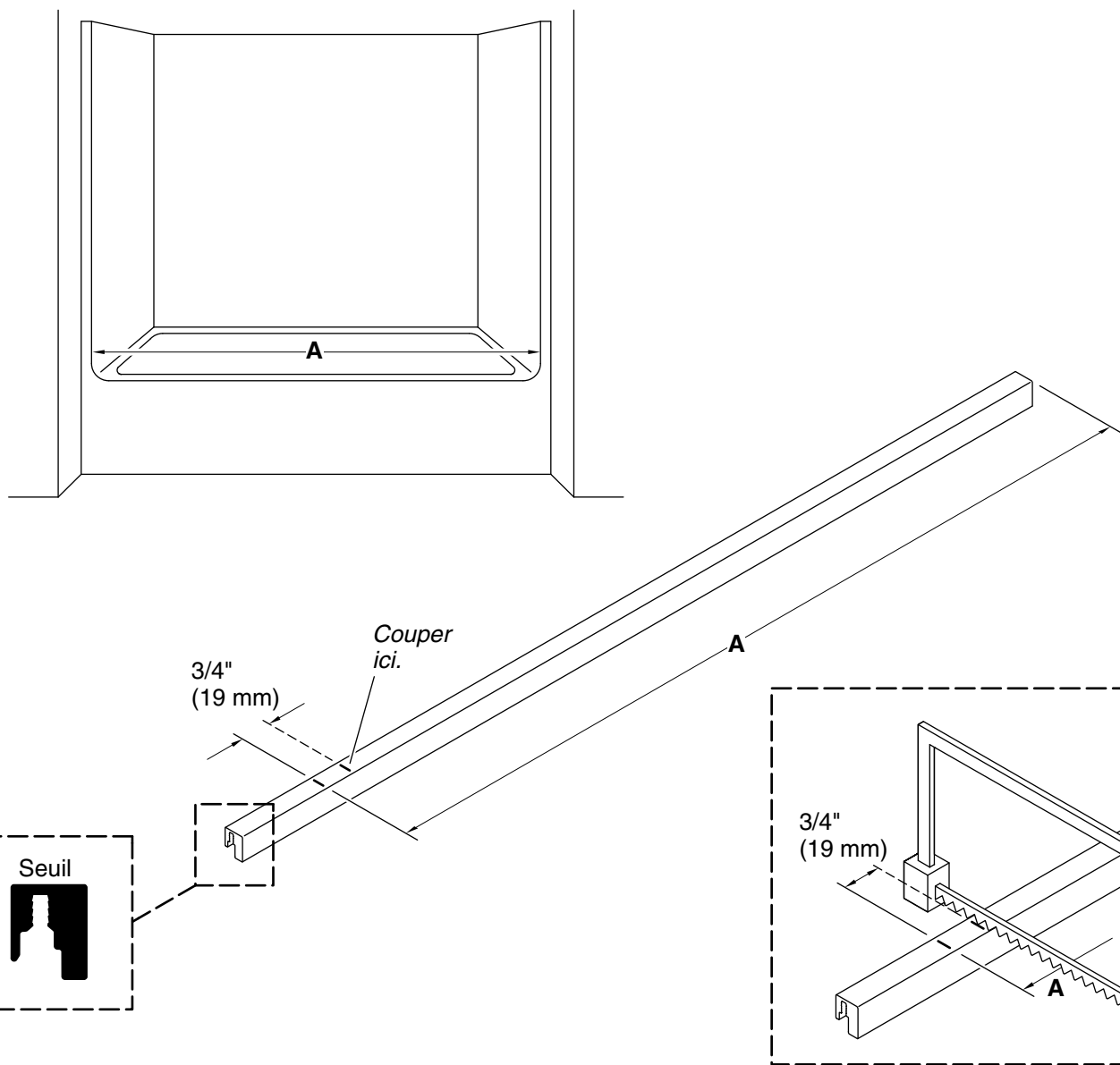


## 1. Vérifier la compatibilité entre le rebord et le mur

**IMPORTANT!** Vérifier que le bac de la douche/le rebord de la baignoire et les murs sont conformes aux conditions requises suivantes:

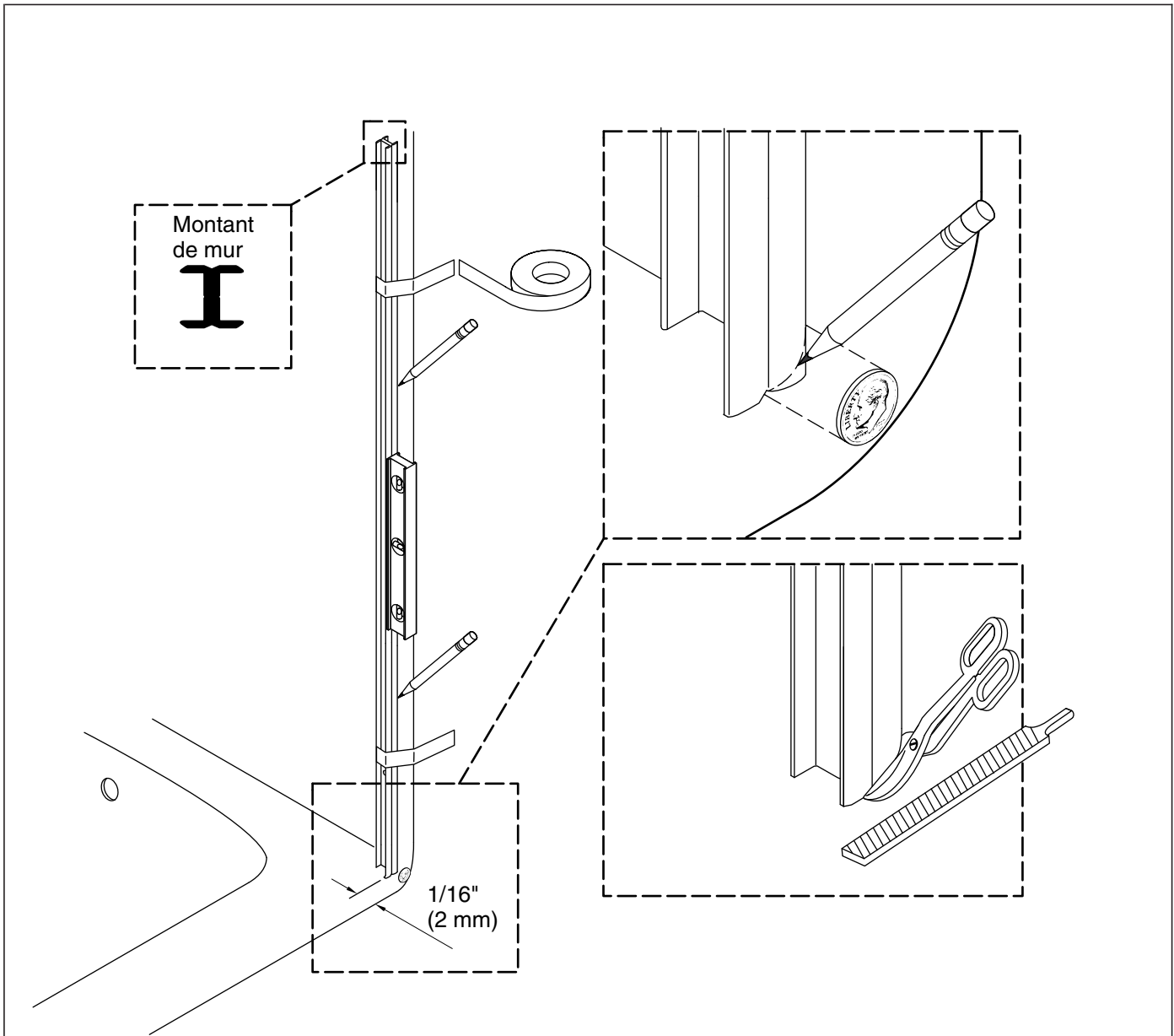
- Une surface plate de 2-1/2" (64 mm) au moins doit être présente sur le bac de la douche/le rebord de la baignoire et les murs.
- Les murs doivent être compris dans un rayon de 3/8" (10 mm) de l'aplomb.
- Le bac de la douche/le rebord de la baignoire doivent être compris dans un rayon de 3/8" (10 mm) du niveau.

**Ne pas installer la porte** si ces conditions requises ne sont pas présentes.



## 2. Mesurer et couper le seuil

- Recouvrir le drain avec du ruban afin d'éviter de perdre les petites pièces.
- Utiliser une toile de protection pour protéger la surface de la douche.
- Mesurer la distance "A" entre les murs de la douches et la marquer sur le seuil.
- Mesurer 3/4" (19 mm) de "A" et placer un deuxième repère sur le seuil comme sur l'illustration.
- Couper le seuil au niveau du deuxième repère et limer les bords bruts.

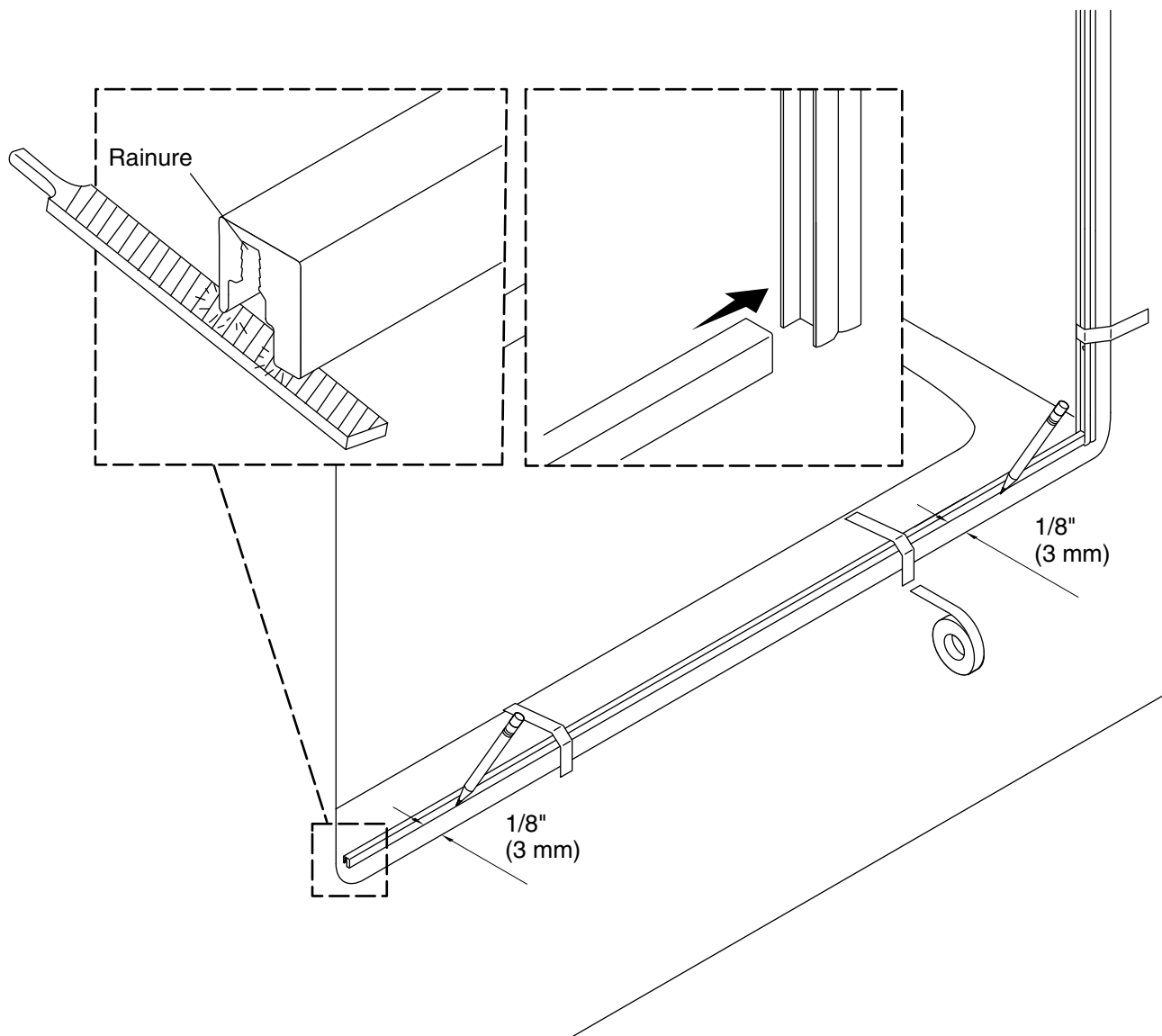


### 3. Préparer le premier montant de mur

**IMPORTANT!** Le montant de mur doit bien s'adapter contre le bac de la douche/le rebord de la baignoire et le mur.

- Positionner le montant du mur contre le mur de manière à ce qu'il se trouve à un rayon de 1/16" du bac de la douche/rebord de la baignoire comme sur l'illustration.
- Si nécessaire, former et limer le coin inférieur pour qu'il s'adapte contre le mur de la douche. Utiliser une pièce de monnaie pour faire correspondre et transférer le rayon du coin.
- Mettre le montant du mur d'aplomb.
- Fixer le montant de mur de manière sécurisée au ruban adhésif et marquer son emplacement.

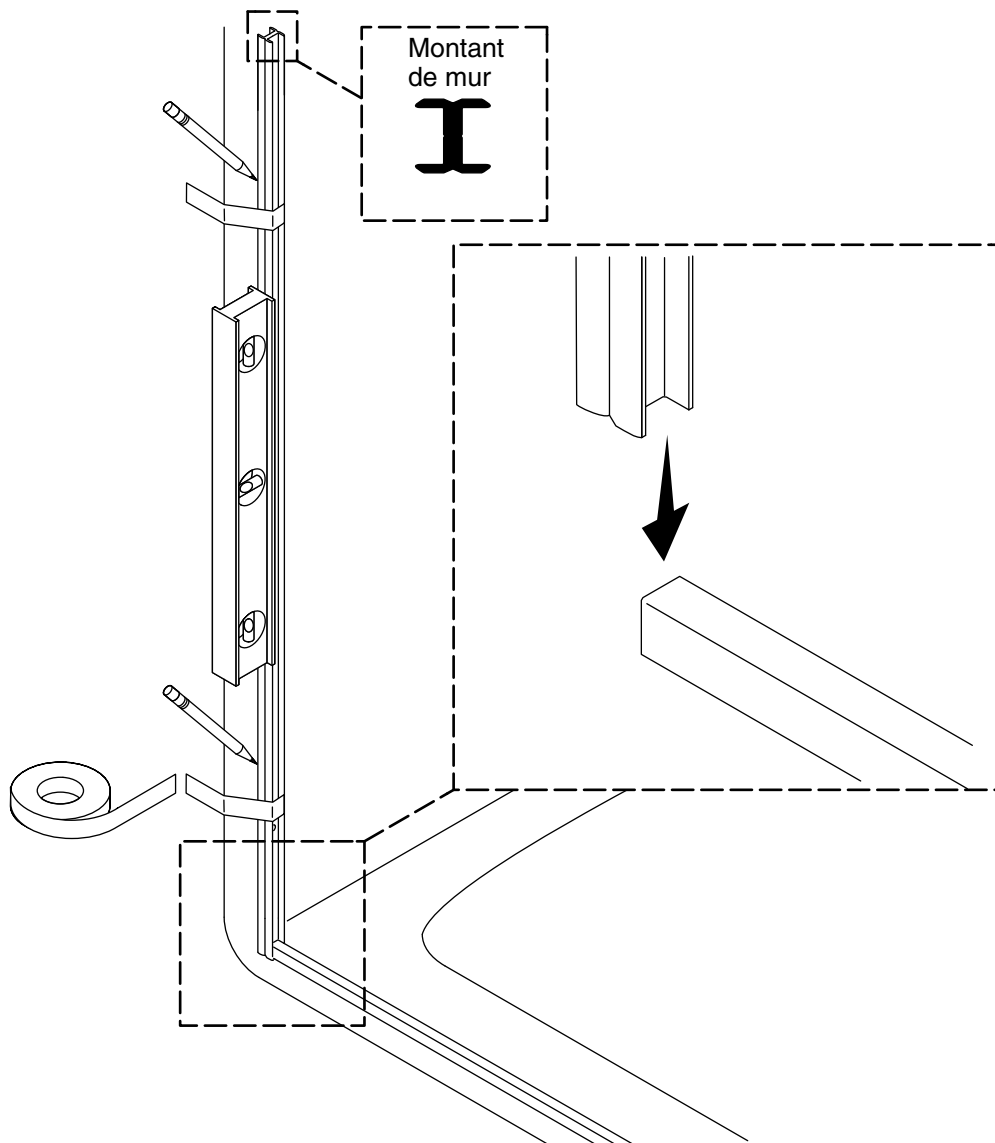




#### 4. Positionner le seuil

**AVIS:** Le seuil doit reposer sur une surface plate.

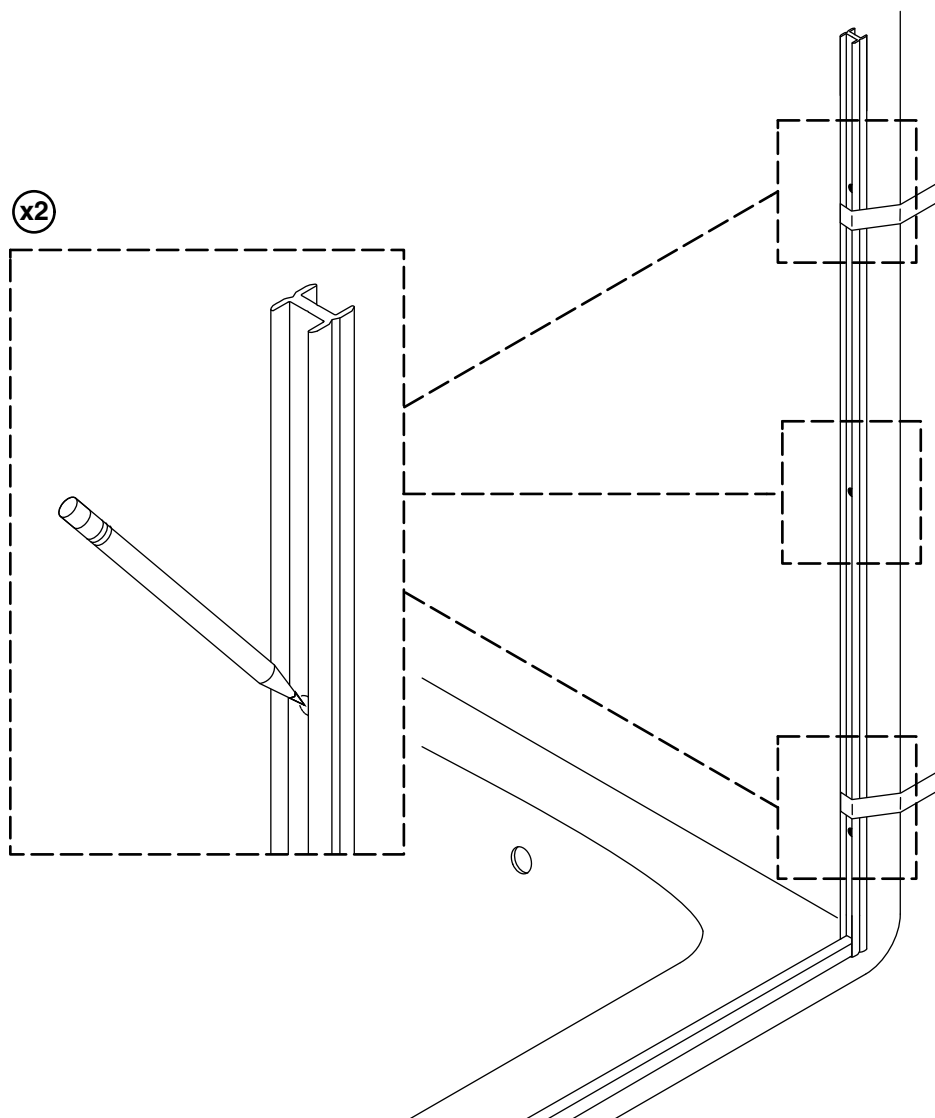
- Si nécessaire, limer les extrémités du seuil pour les adapter à l'arrondi des coins du mur de la douche.
- Insérer le seuil dans le montant de mur avec la rainure tournée vers le bas et l'extrémité courte du seuil tournée vers l'intérieur de la douche.
- Aligner le seuil de manière à ce qu'il soit à une distance égale du bac de la douche/rebord de la baignoire le long de toute sa longueur.
- Fixer le seuil de manière sécurisée au ruban adhésif et marquer son emplacement.



## 5. Positionner le deuxième montant de mur

**IMPORTANT!** Le montant de mur doit bien s'adapter contre le bac de la douche/le rebord de la baignoire et le mur.

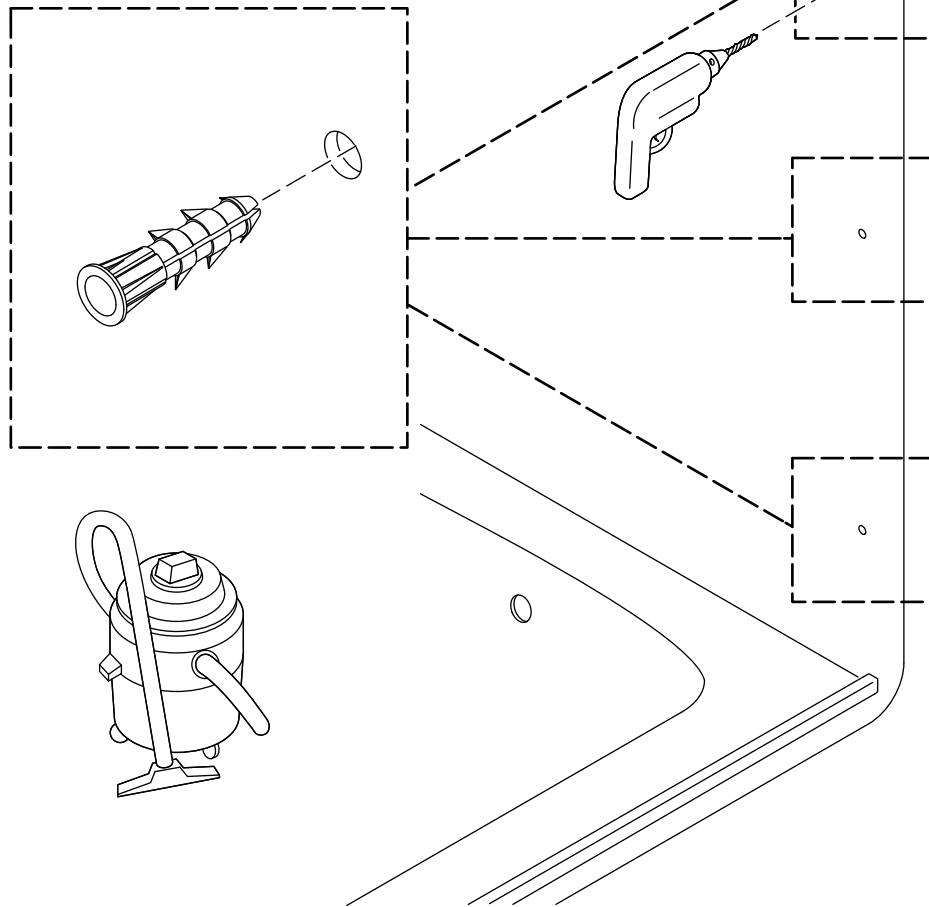
- Positionner le deuxième montant de mur contre le mur et pardessus le seuil sur le côté opposé du mur de la douche.
- Si nécessaire, former et limer le coin inférieur pour qu'il s'adapte contre le mur de la douche. Utiliser une pièce de monnaie pour faire correspondre et transférer le rayon du coin.
- Mettre le montant du mur d'aplomb.
- Fixer le montant de mur de manière sécurisée au ruban adhésif et marquer son emplacement.
- S'assurer que le seuil est toujours parallèle avec l'avant du bac de la douche/du rebord de la baignoire.



## 6. Marquer les trous des chevilles d'ancrage du montant de mur.

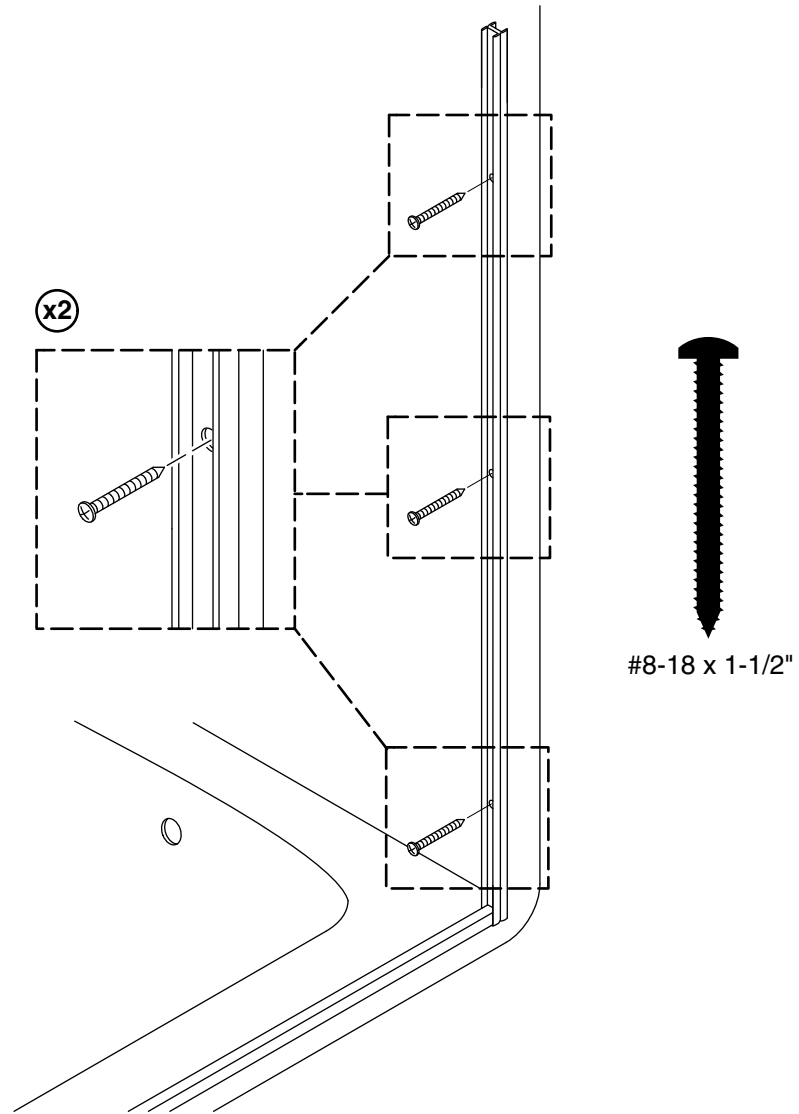
- Marquer au crayon les trois trous des chevilles d'ancrage du montant de mur.
- Retirer le montant de mur et le mettre de côté.
- Répéter avec le deuxième montant de mur.

x2



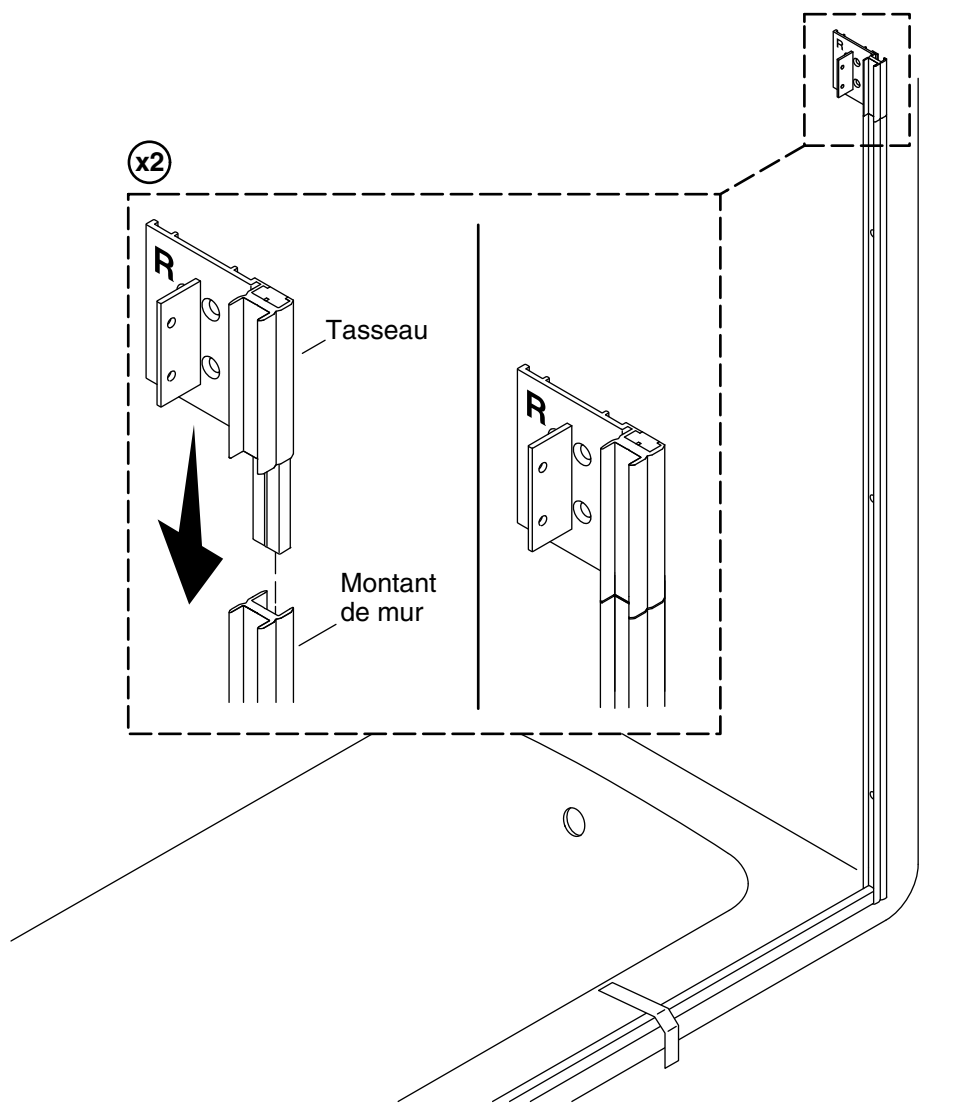
## 7. Percer les trous et installer les chevilles d'ancrage

- Percer un trou de 1/4" à chaque emplacement marqué. Utiliser une mèche à maçonnerie pour les murs à carrelage.
- Installer les chevilles d'ancrage de mur fournies. Si nécessaire, taper doucement sur les chevilles d'ancrage pour les asseoir entièrement contre le mur.
- Répéter avec le mur opposé.
- Bien nettoyer le bac de la douche/le fond de la baignoire, le rebord et le mur.



## 8. Installer les montants de mur

- Remettre le montant de mur en place, en l'alignant avec les trous des chevilles d'ancrage.
- Fixer le montant de mur avec trois vis #8-18 x 1-1/2\".
- Répéter pour le deuxième montant de mur.



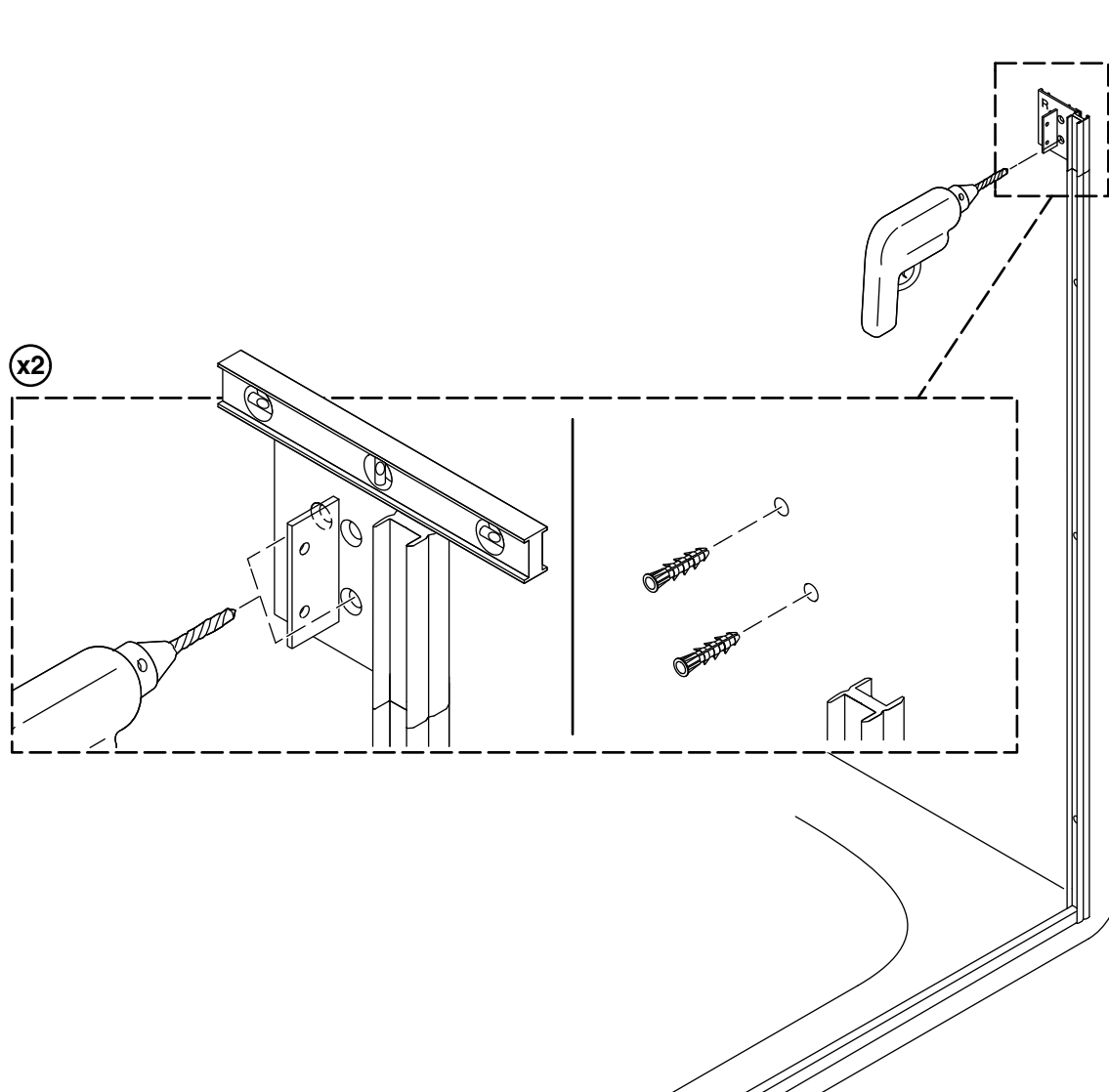
## 9. Positionner les tasseaux

**AVIS:** Il y a un tasseau gauche ("L") et un tasseau droit ("R"). Les positionner de manière à ce qu'ils se trouvent à l'intérieur de la zone de la douche.

- Glisser le tasseau dans le canal entre le montant de mur et le mur.

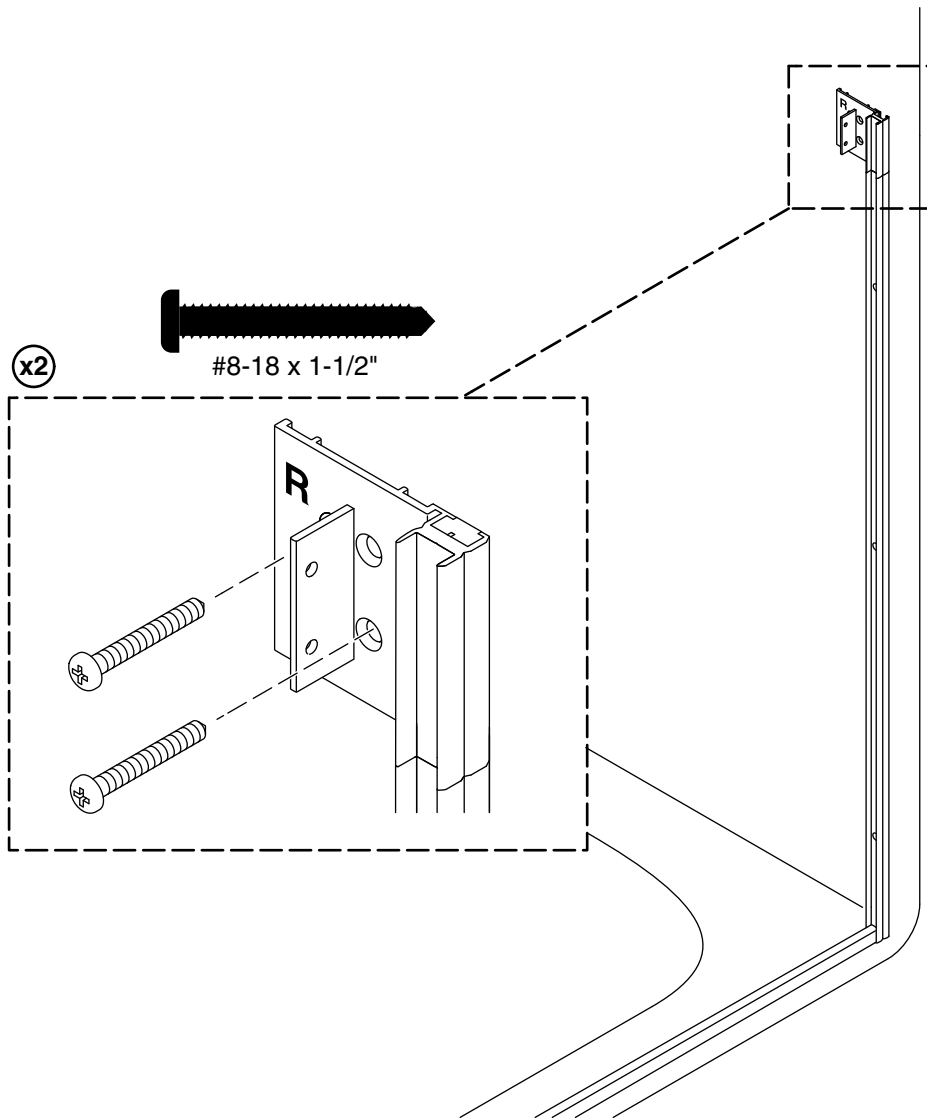
**AVIS:** Le tasseau doit être de niveau avec le mur et à plat contre celui-ci.

- S'assurer que le tasseau soit assis à ras contre le dessus du montant de mur.
- Répéter pour le deuxième tasseau.



## 10. Installer les chevilles d'ancrage au mur du tasseau

- Tenir le tasseau de niveau et fermement en place et l'utiliser comme guide pour percer deux trous de 1/4" opposés à la diagonale (par exemple haut gauche et bas droit) dans le mur.
- Retirer le tasseau et installer les chevilles d'ancrage fournies. Si nécessaire, taper doucement sur les chevilles d'ancrage pour les asseoir entièrement contre le mur.
- Répéter pour le deuxième tasseau.
- Bien nettoyer le bac de la douche/le fond de la baignoire, le rebord et le mur.

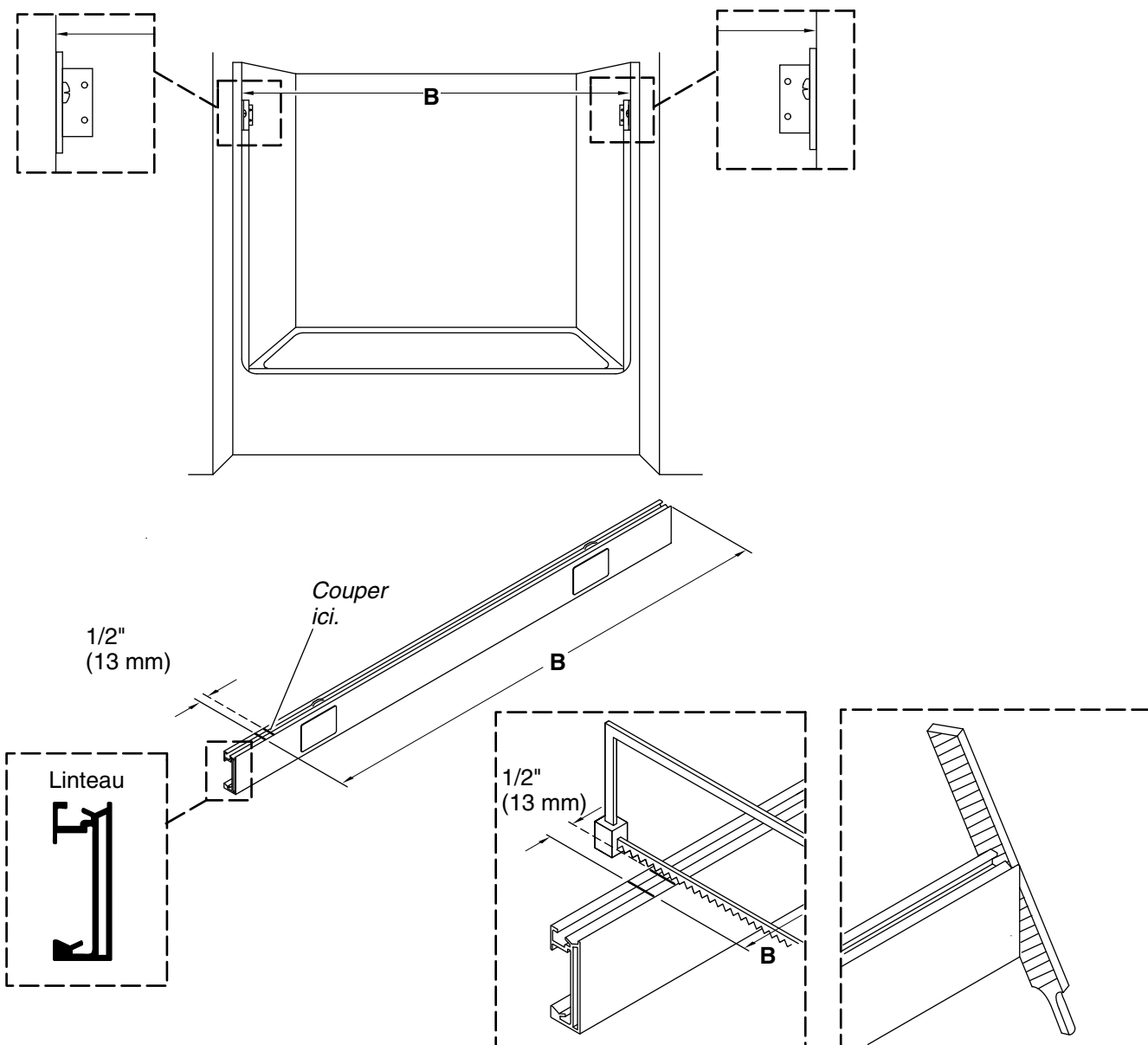


## 11. Fixer les tasseaux en place

- Fixer chaque tasseau au mur en utilisant deux vis n8-18 x 1-1/2".
- S'assurer que les tasseaux sont encore de niveau. Desserrer les vis et ajuster la position des tasseaux le cas échéant.

**AVIS:** Le deuxième ensemble de trous peut être utilisé si le tasseau n'est pas de niveau. Répéter l'étape 10 si nécessaire.

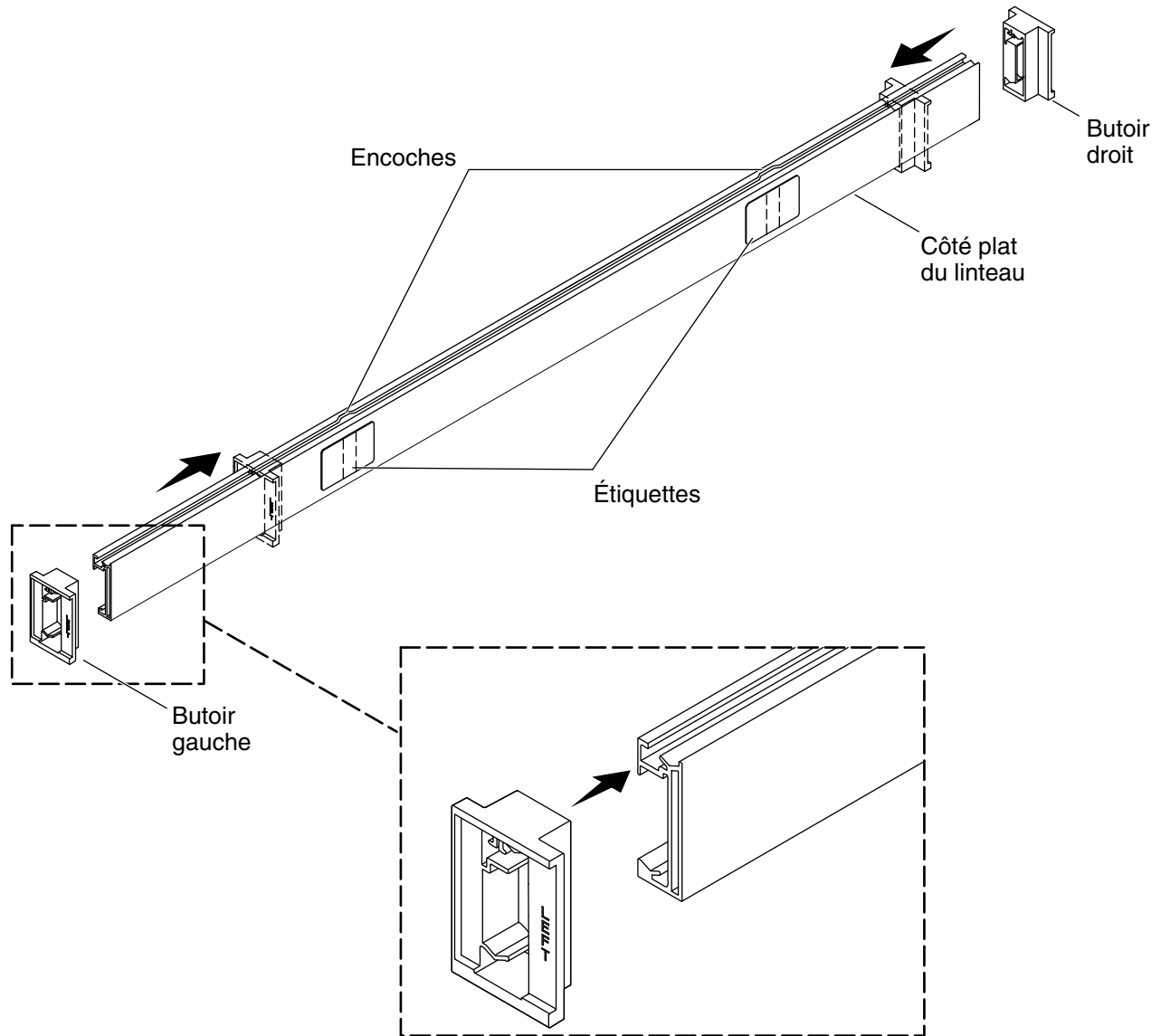




## 12. Mesurer et couper le linteau

**IMPORTANT!** Vérifier les mesures avant de couper. **Ne pas couper le linteau trop court.**

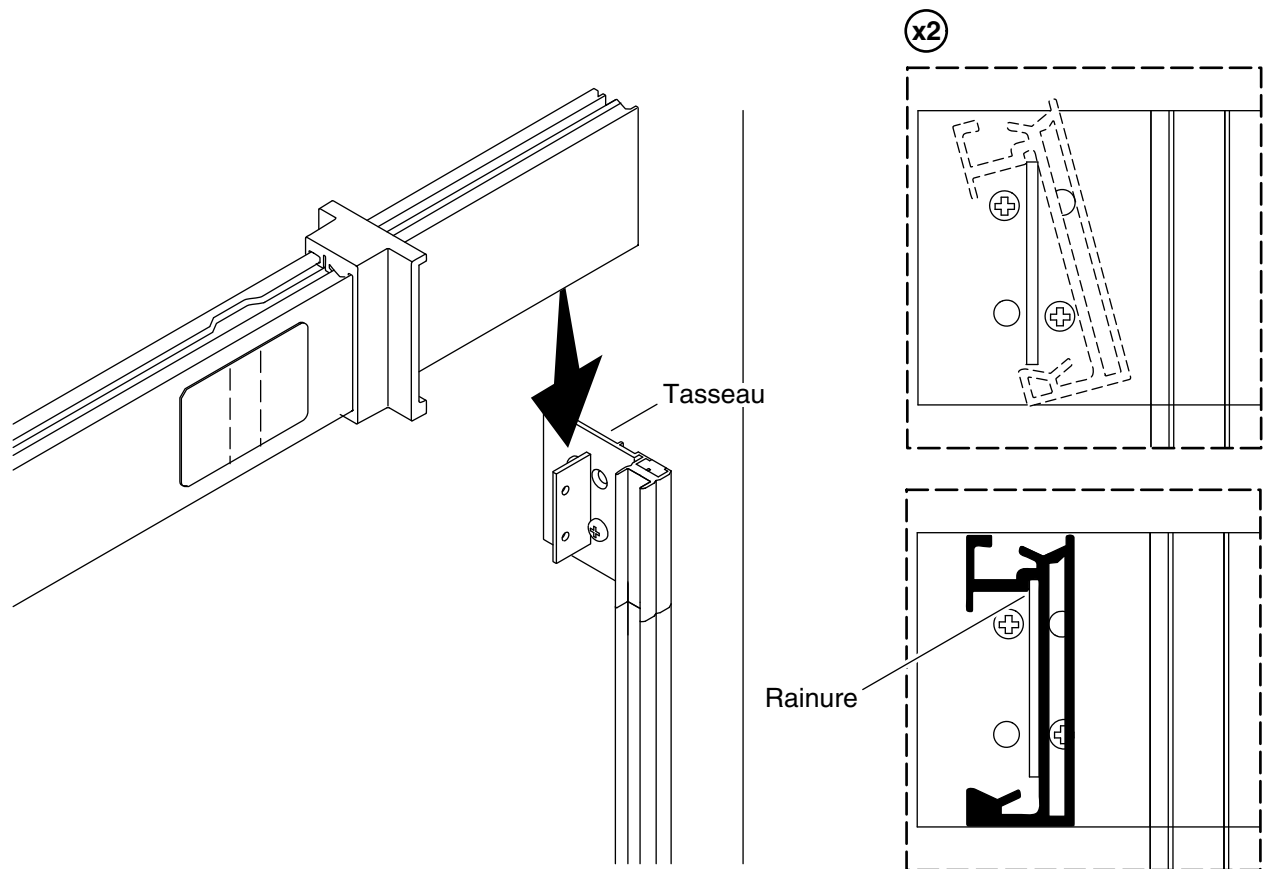
- Mesurer la distance "B" entre les murs et la marquer sur le linteau.
- Mesurer 1/2 (13 mm) à partir de "B" et placer un deuxième repère sur le linteau comme sur l'illustration.
- Couper le linteau au niveau du deuxième repère.
- Limer tous les bords bruts et éliminer les débris des pistes des rouleaux.



### 13. Installer les butoirs sur le linteau

**AVIS:** Les mots "LEFT" (gauche) et "RIGHT" (droite) sont moulés dans les butoirs.

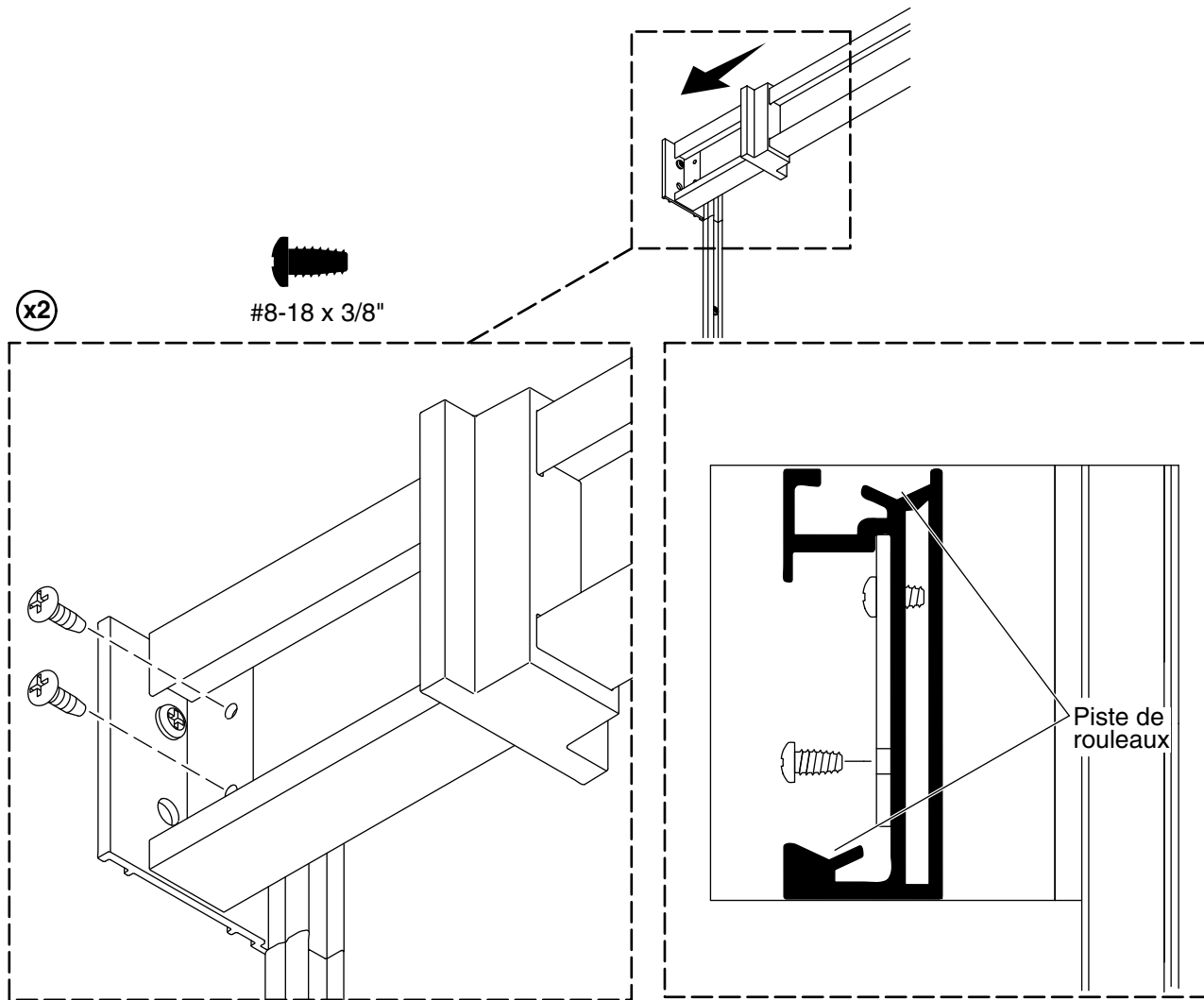
- Repérer les étiquettes sur le linteau et observer comment ils s'alignent sur les encoches situées sur le dessus.
- Avec les étiquettes sur le linteau dirigées vers soi, identifier les extrémités gauche et droite du linteau.
- Glisser le butoir approprié sur chaque extrémité du linteau et les déplacer vers le centre.



## 14. Positionner le linteau

**AVIS:** Les étiquettes se trouvant sur le linteau doivent être tournées vers l'extérieur de la douche.

- À partir de l'intérieur de la douche, élever le linteau au-dessus des tasseaux.
- Basculer le linteau et l'abaisser dans les tasseaux comme sur l'illustration.
- Les dessus des tasseaux doivent s'adapter dans le dessus à l'intérieur de la rainure du linteau comme sur l'illustration.
- Tourner le linteau pour le mettre en place jusqu'à ce qu'il soit à plat contre les tasseaux.

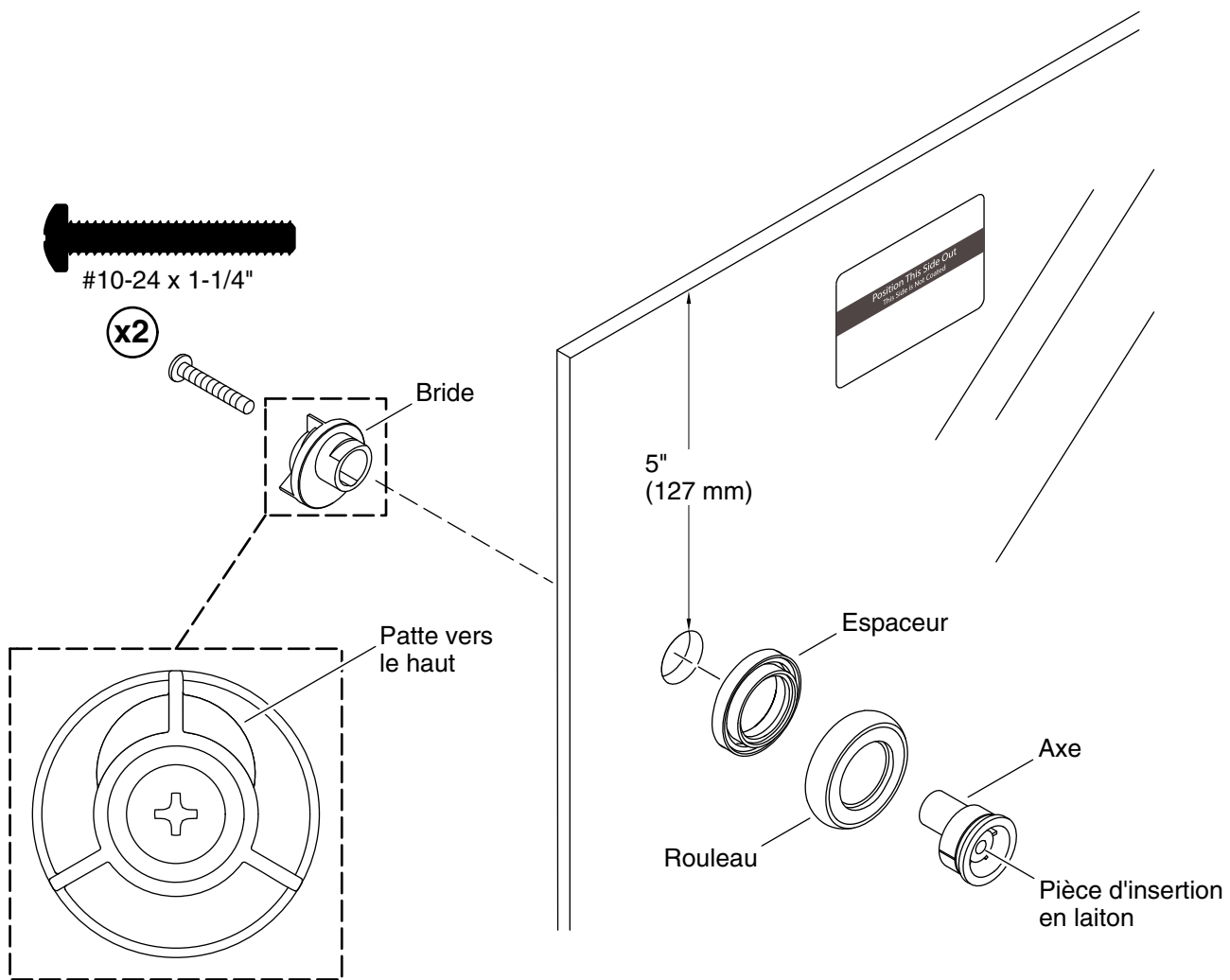


## 15. Fixer le linteau en place

- À partir de l'intérieur de la douche, fixer le linteau sur chaque tasseau avec deux vis auto-perceuses #8-18 x 3/8".

**REMARQUE:** Les vis auto-perceuses n'ont pas besoin d'être prépercées.

- Nettoyer le linteau avec précaution et sous tous les angles. S'assurer qu'aucun débris n'est présent dans les pistes des rouleaux.
- Glisser les butoirs à ras contre chaque mur.

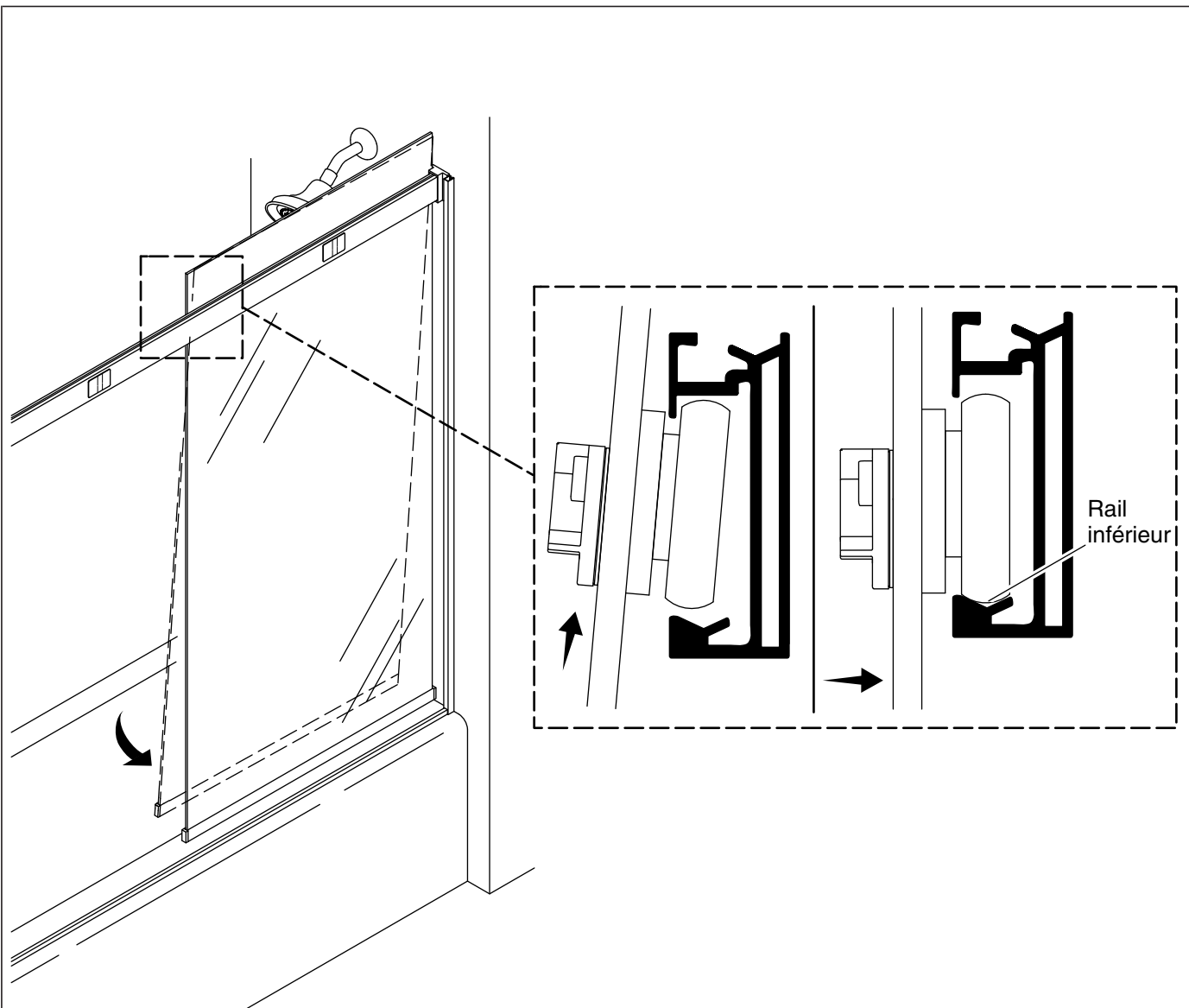


## 16. Assembler le panneau intérieur

**AVIS:** Les trous de fixation des rouleaux du panneau intérieur se trouvent à 5" (127 mm) au-dessous du dessus du panneau.

**AVIS:** Les rouleaux intérieurs comprennent une pièce insérée en laiton.

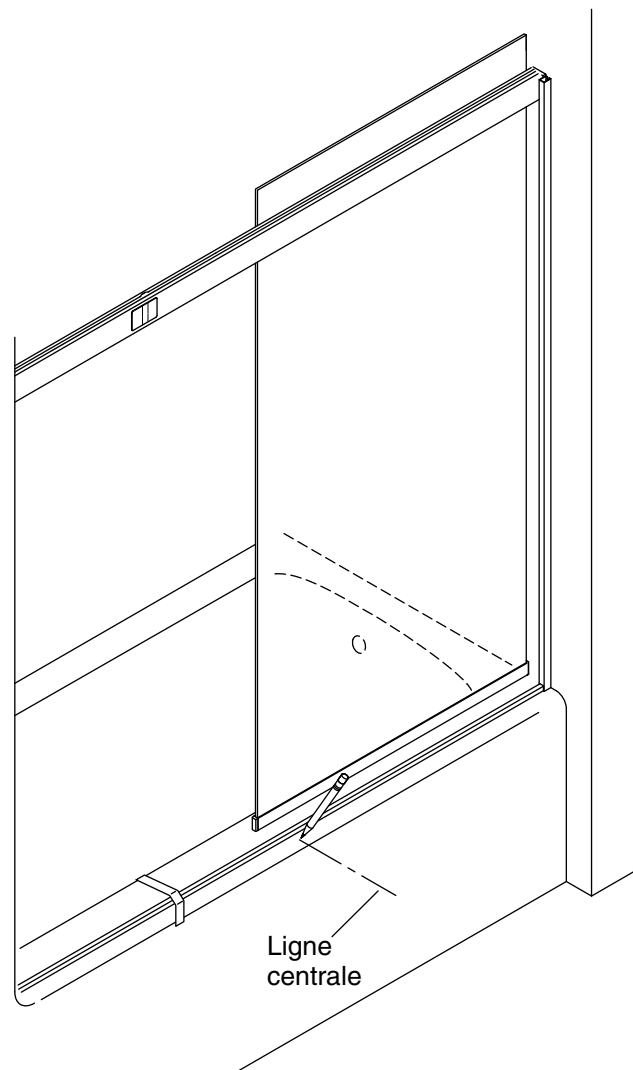
- Positionner chaque rouleau sur le même côté du panneau avec l'étiquette.
- Installer chaque rouleau intérieur avec la patte sur le dessus. Ceci positionnera la porte à son réglage le plus élevé, ce qui permet de l'ajuster plus facilement si nécessaire.
- Fixer chaque rouleau avec une vis #10-24 x 1-1/4".
- À l'aide d'un tournevis manuel uniquement, serrer les vis **de manière sécurisée**.



## 17. Installer le panneau intérieur

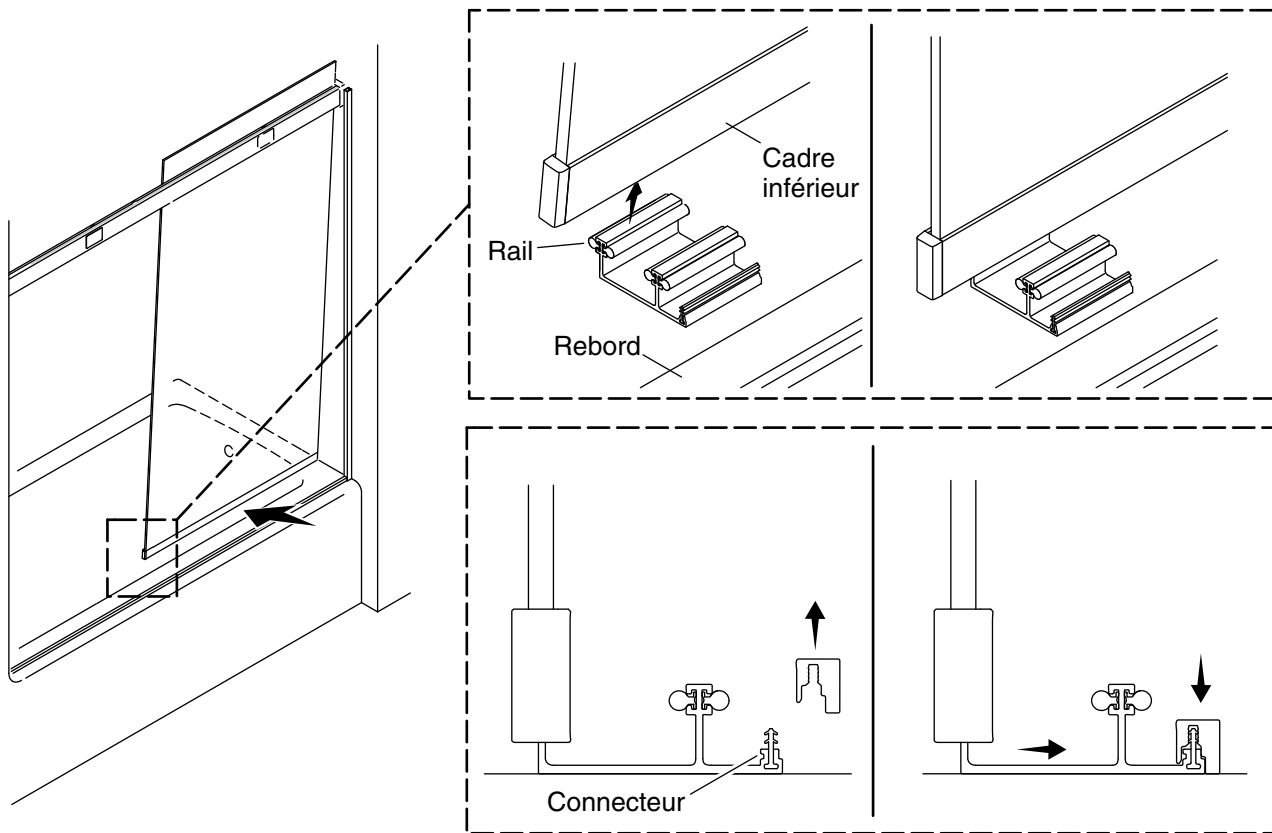
**REMARQUE:** Les rouleaux et l'étiquette sont tournés vers l'extérieur de la douche.

- Avec de l'aide, déplacer entièrement le panneau intérieur dans la zone de la douche.
- Avec de l'aide à partir de l'intérieur de la douche, basculer le panneau pour positionner les dessus des rouleaux à l'intérieur du linteau. Faire reposer les rouleaux sur la piste inférieure du linteau et mettre le panneau en place.
- S'assurer que le panneau peut avoir un mouvement de va-et-vient sans heurts. Si nécessaire, ajuster les rouleaux selon les instructions à l'étape 24.



## 18. Mesurer et marquer le centre du seuil

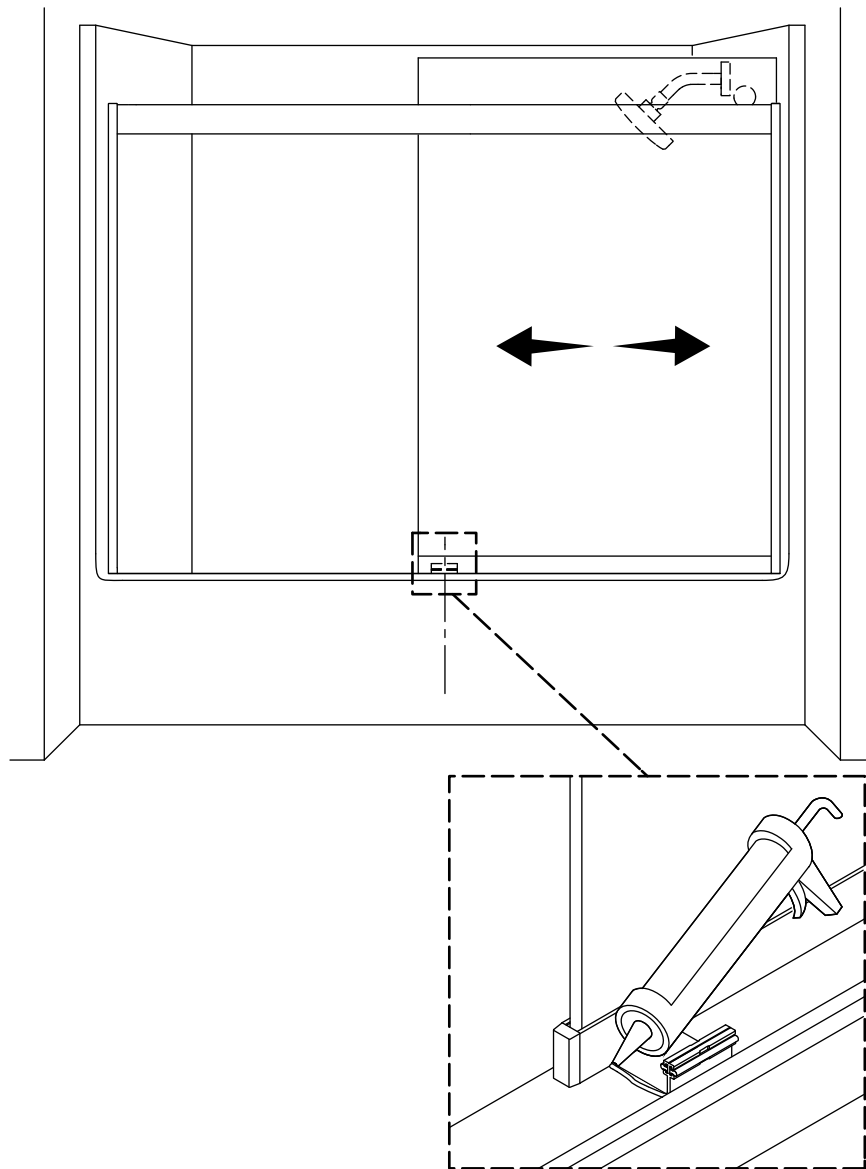
- Mesurer et marquer le centre du seuil sur l'extérieur du bac de la douche/rebord de la baignoire.
- Vérifier le repère de la ligne centrale en mesurant la distance entre le repère et chaque mur. Si les mesures ne sont pas les mêmes, ajuster le repère selon les besoins.
- Retirer le ruban maintenant le seuil en place.



## 19. Installer le guide central

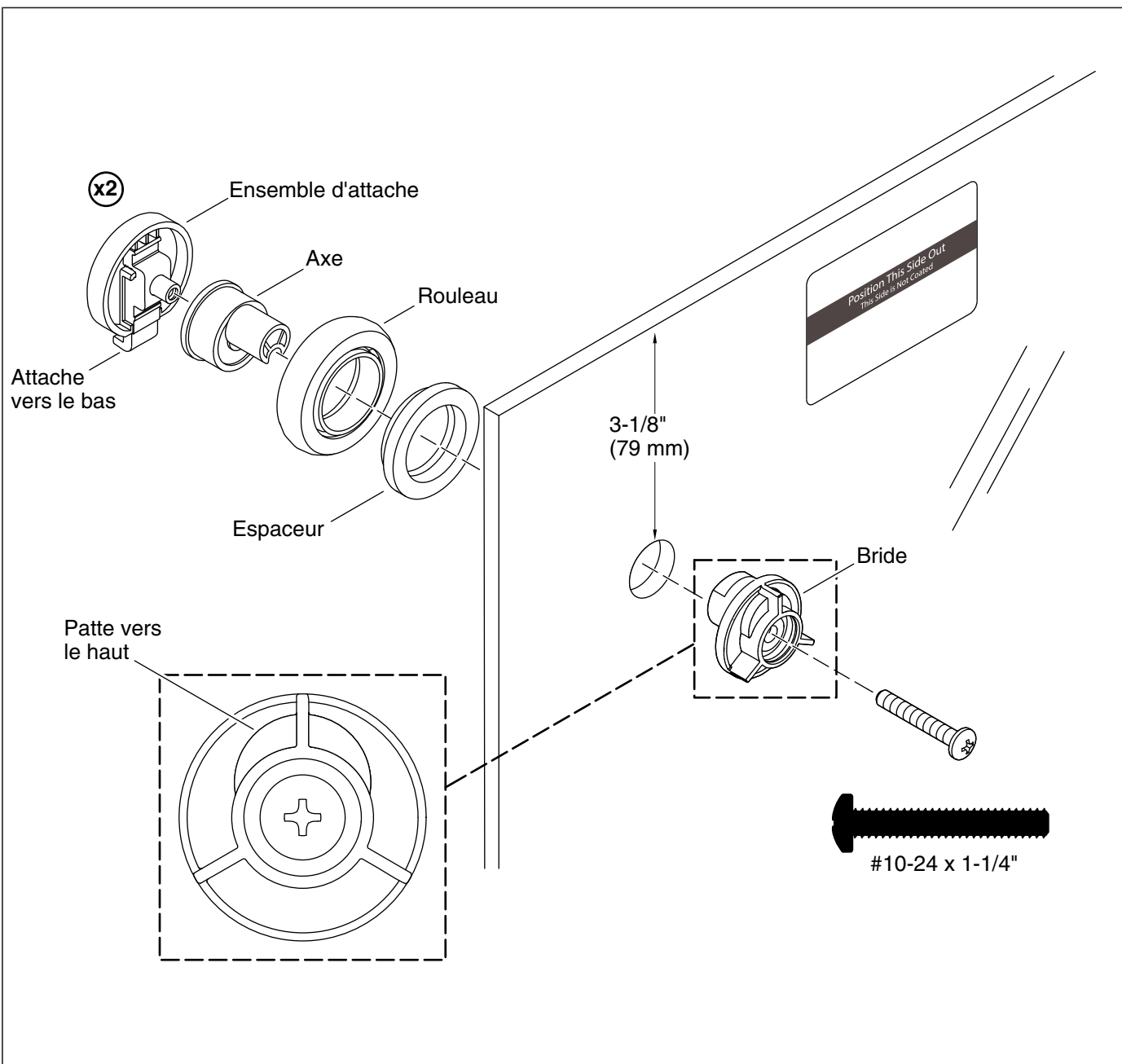
- À partir de l'extérieur de la douche, glisser le panneau sur un côté.
- Basculer le panneau de 3" environ dans la douche.
- Insérer le rail du guide central dans le canal ouvert du cadre inférieur comme sur l'illustration.
- Laisser le panneau rebasculer à sa position initiale.
- Centrer le guide central sur le bac de la douche/rebord de la baignoire.
- Lever le seuil et le pousser complètement vers le bas par-dessus le connecteur du guide central. Un enclenchement du connecteur dans la rainure du seuil devrait être entendu et le seuil devrait être assis à plat sur le bac de la douche/le rebord de la baignoire.





## 20. Installer le guide central (suite)

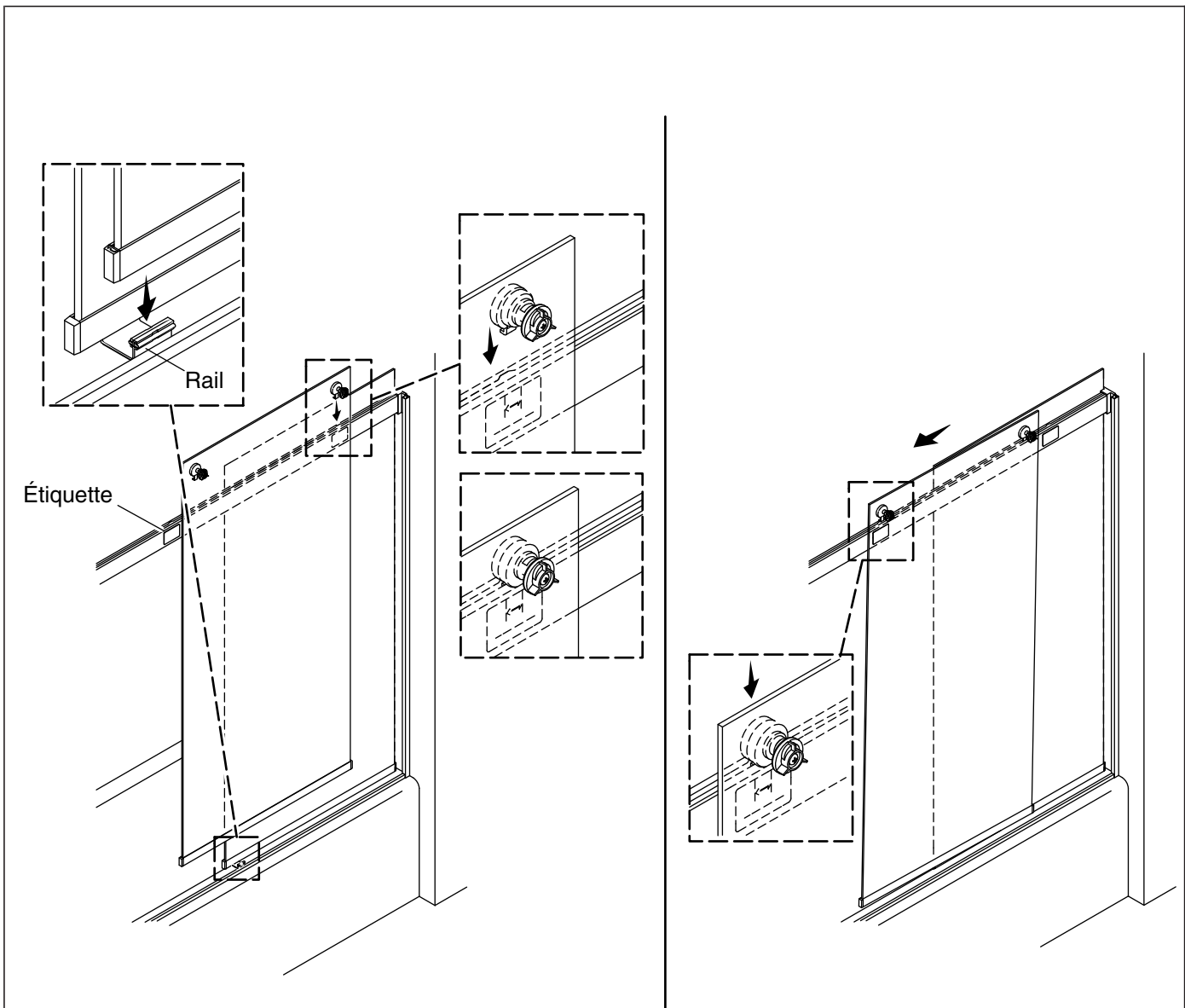
- Glisser le panneau de la porte sur les deux murs et s'assurer que les butoirs inférieurs du panneau n'entrent pas en contact avec le guide central.
- Si nécessaire, ajuster la position du guide central afin d'éviter un contact.
- Lorsque le positionnement est adéquat, mettre le seuil en place avec du ruban adhésif et appliquer du mastic à la silicone à 100% autour de la base du guide central.



## 21. Assembler le panneau extérieur

**AVIS:** Les trous de fixation des rouleaux du panneau extérieur se trouvent à 3-1/8" (79 mm) au-dessous du dessus du panneau.

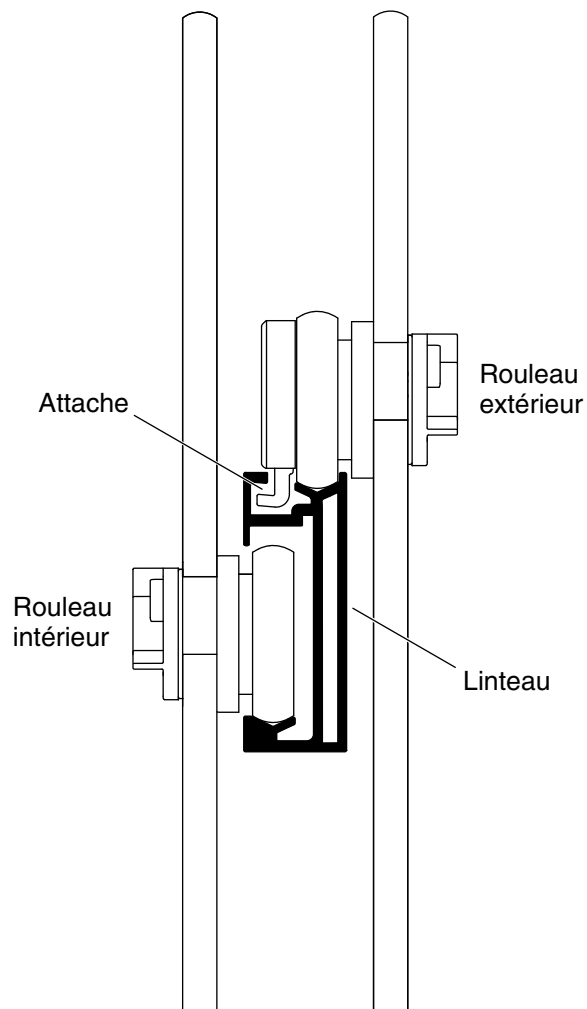
- Positionner le rouleau sur le côté opposé du panneau avec l'étiquette.
- Installer les rouleaux extérieurs avec la patte sur la bride située sur le dessus.
- Fixer chaque rouleau avec une vis #10-24 x 1-1/4".
- Tenir l'attache vers le bas pendant que la vis est serrée.
- À l'aide d'un tournevis manuel seulement, serrer les vis **en toute sécurité**, jusqu'à ce que l'attache ne peut plus être tournée à la main.



## 22. Installer le panneau extérieur

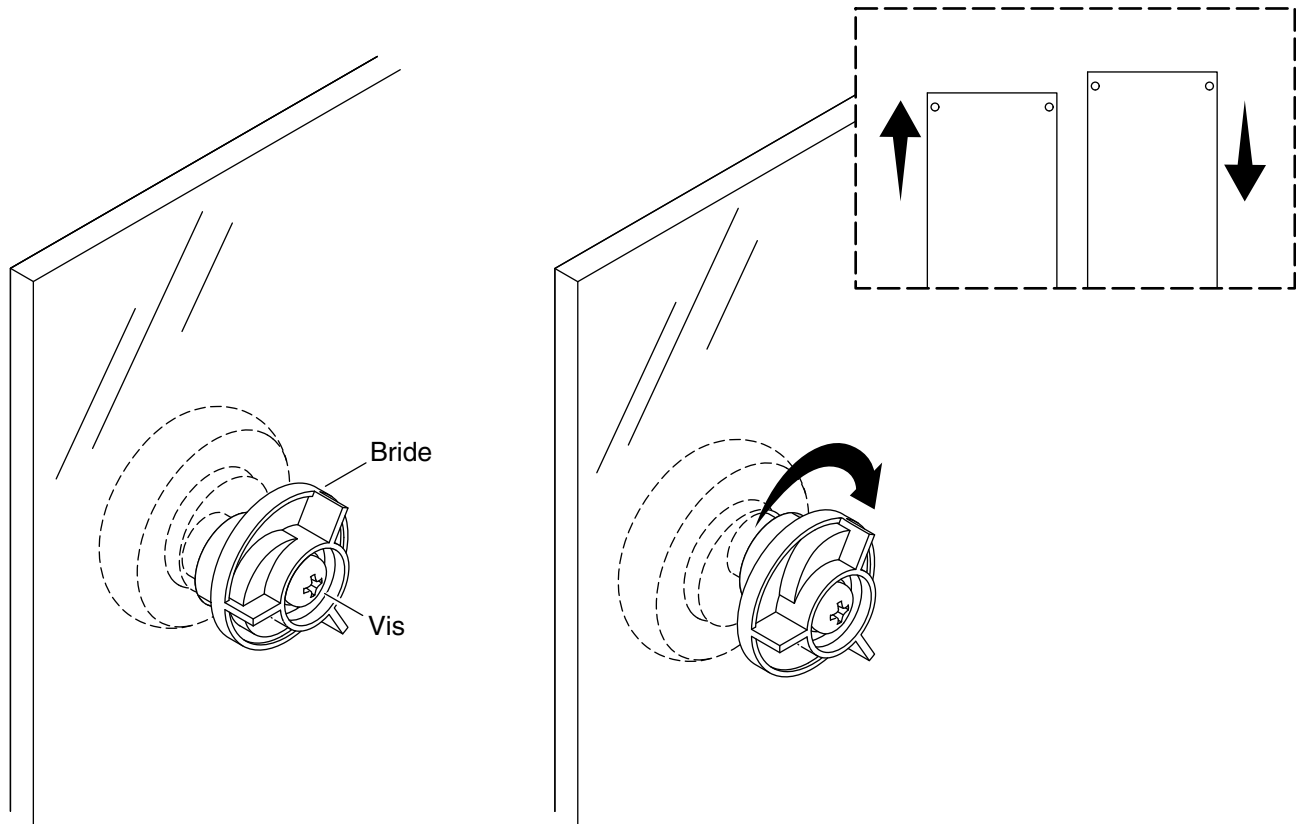
**AVIS:** Repérer les encoches sur le linteau, qui sont alignées avec les étiquettes "Zone d'installation de panneau".

- Avec de l'aide, à partir de l'extérieur de la douche, lever le panneau et positionner le canal ouvert du cadre inférieur par-dessus le rail du guide central.
- Avec de l'aide, lever le panneau, aligner une attache de rouleau sur une encoche et poser le rouleau sur la piste de rouleaux.
- Lever le côté opposé du panneau de manière à ce que le deuxième rouleau se trouve au-dessus du linteau. Glisser le panneau pour aligner la deuxième attache du rouleau sur la deuxième encoche. Poser le rouleau sur la piste de rouleaux.



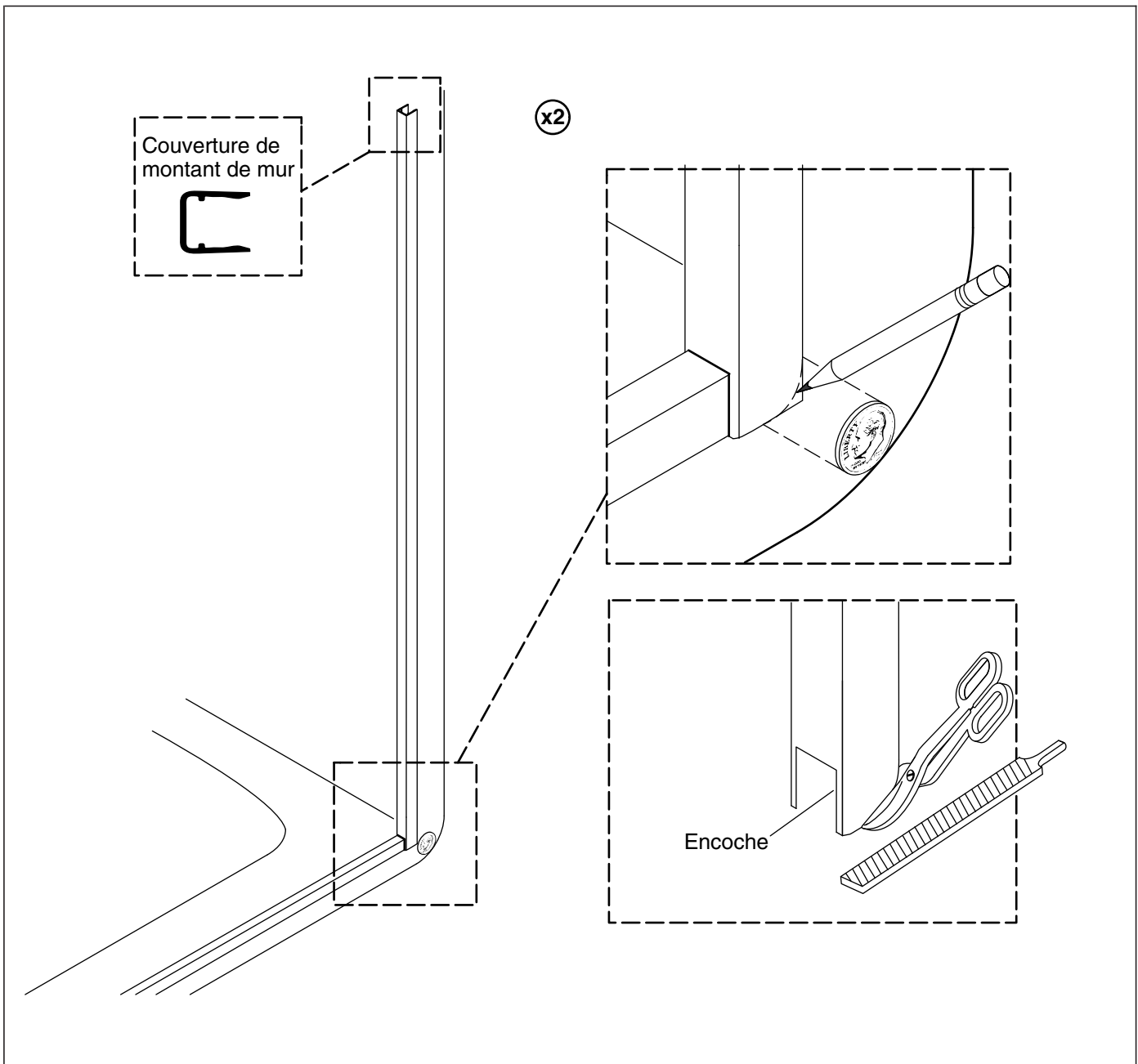
### 23. Vérifier que les rouleaux sont installés correctement

- Vérifier que tous les rouleaux sont engagés dans les pistes du linteau.
- Les dessus des rouleaux intérieurs doivent se trouver à l'intérieur du linteau.
- Les attaches se trouvant sur les rouleaux extérieurs doivent être engagés à l'intérieur du bord supérieur du linteau. Elles ne doivent pas être visibles.



## 24. Ajuster les rouleaux

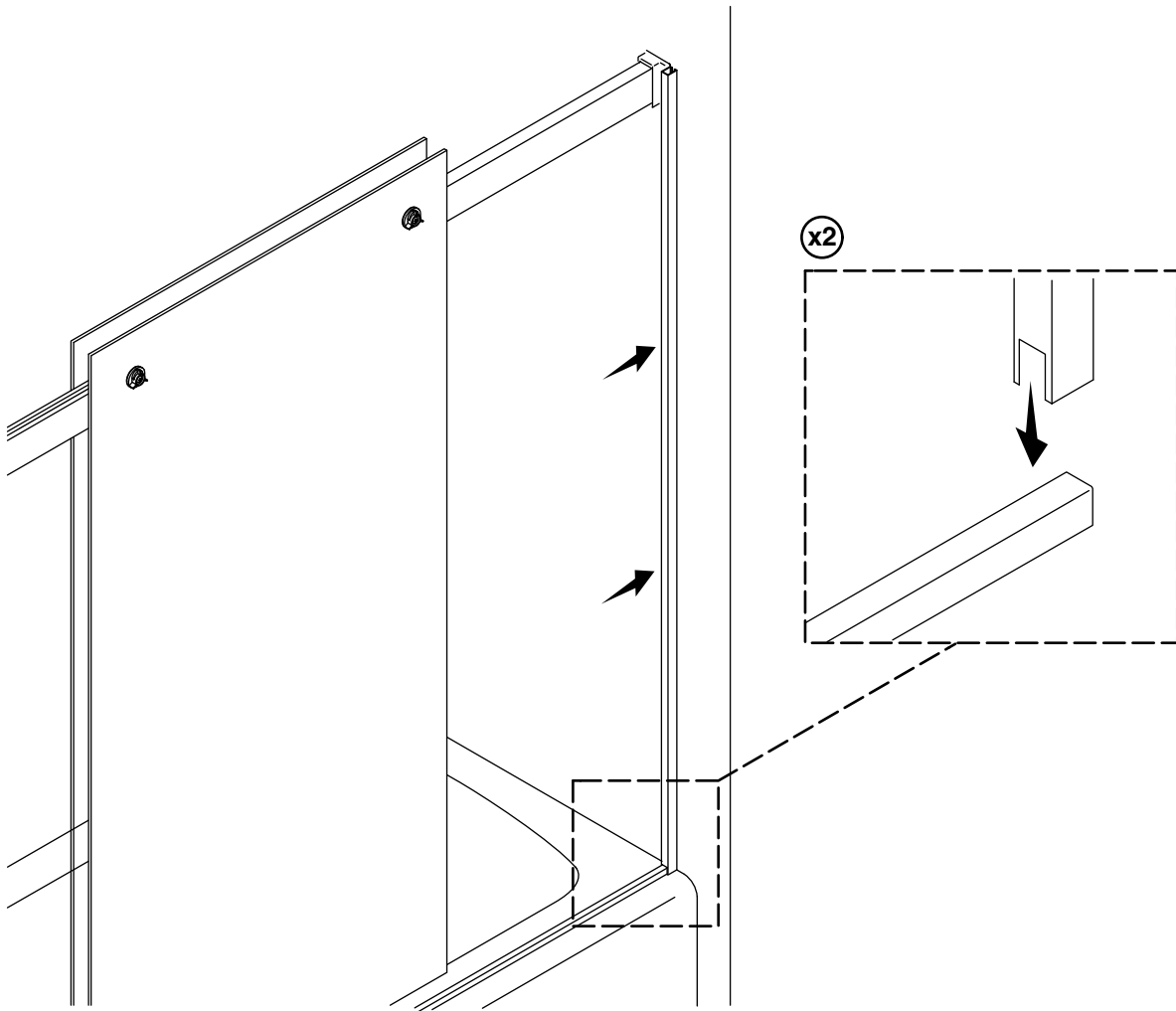
- Les rouleaux pourraient devoir être ajustés si un panneau ne se déplace pas, si l'on observe un bruit de raclement lorsqu'il est déplacé, ou si un butoir supérieur ou inférieur n'entre pas en contact lors de la fermeture.
- Ajuster l'alignement de chaque extrémité du panneau en desserrant les vis et en tournant la bride d'ajustement.
- Lors de l'ajustement du panneau extérieur, tenir la couverture de l'attache tout droit tout en serrant les vis en toute sécurité de manière à ce que l'attache ne racle pas dans sa piste.
- Répéter jusqu'à ce que la porte fonctionne sans heurs et qu'elle soit alignée uniformément sur les murs de la douche.
- Vérifier que les clips sont toujours orientés correctement (voir l'étape 23). Serrer les vis **de manière sécurisée**.



## 25. Former les couvertures de montants de mur

**IMPORTANT!** Les couvertures de montants de mur doivent être bien assises sur le rebord et être à plat contre le mur.

- Si nécessaire, former et limer le coin inférieur du montant de mur pour l'adapter à l'arrondi du mur de la douche.
- Répéter pour la deuxième couverture de montant de mur.

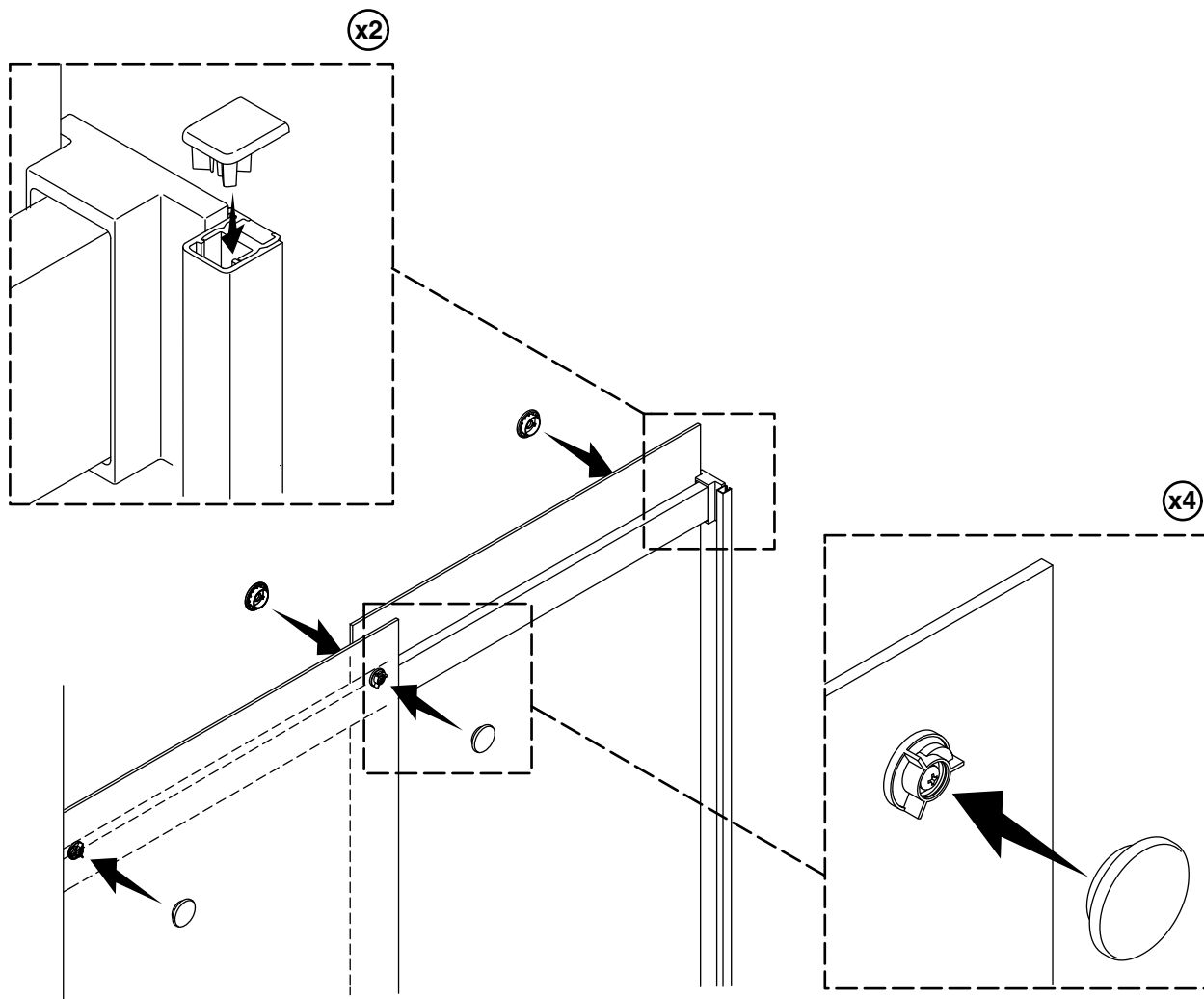


## 26. Installer les couvertures de montants de mur

- Positionner l'encoche dans la couverture du montant de mur par-dessus le seuil.
- Enfoncez la couverture du montant de mur sur le montant de mur.

**AVIS:** Les couvertures du montant du mur ne sont pas à ras du mur.

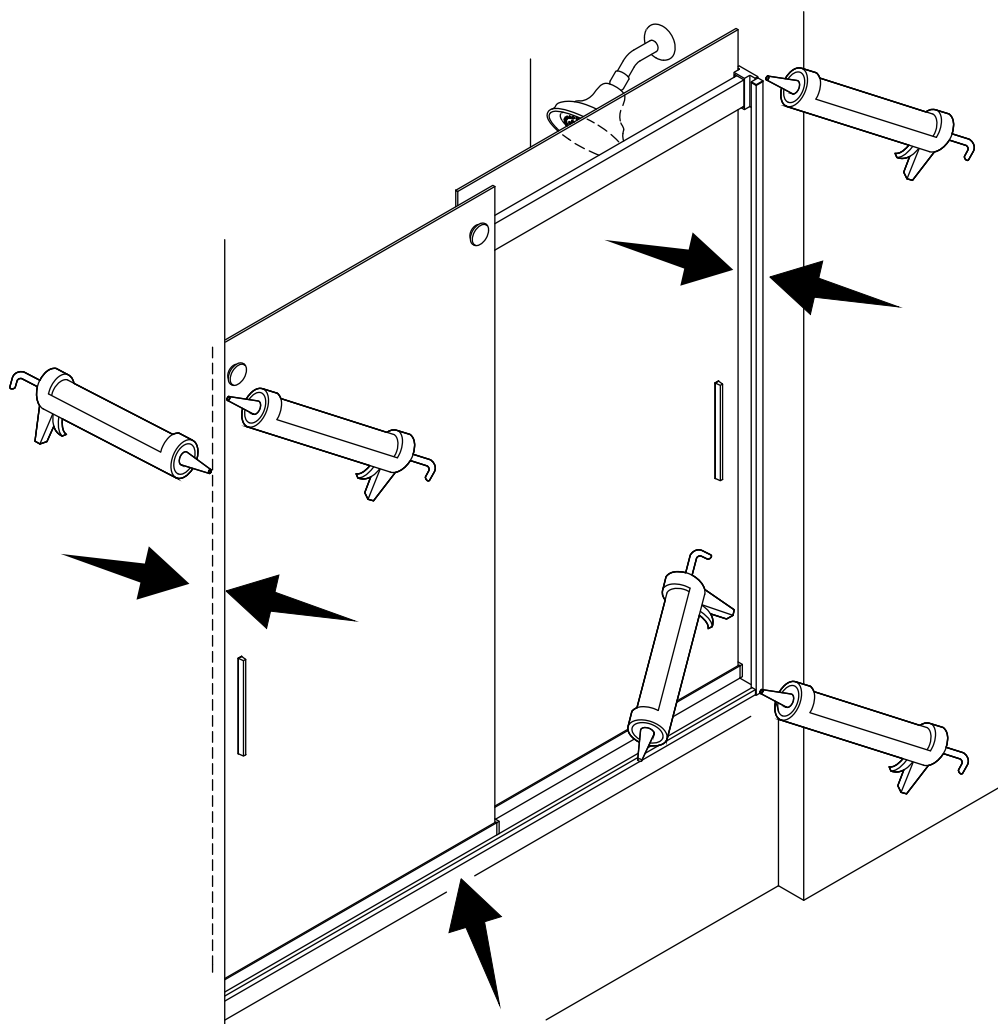
- Répéter avec la deuxième couverture de montant de mur.



## 27. Installer les capuchons

- Encliqueter un capuchon en place sur chacun des quatre rouleaux.
- Enfoncez un capuchon dans le dessus de chaque montant de mur.





## 28. Installer la barre/poignée et appliquer du mastic à la silicone

- Installer le porte-serviettes ou la poignée en utilisant les instructions séparées fournies.
- Appliquer du mastic à la silicone à 100% le long des montants de mur à l'intérieur et à l'extérieur de la douche et le long du rebord extérieur du seuil.

## Entretien et nettoyage

Pour obtenir les meilleurs résultats possibles, prendre ce qui suit en considération lors de l'entretien de votre produit KOHLER:

- Toujours tester la solution de nettoyage sur une surface non visible avant de l'appliquer sur l'ensemble de la surface.
- Essuyer les surfaces et rincer complètement avec de l'eau immédiatement après l'application du nettoyant. Rincer et sécher tout éclaboussure sur les surfaces avoisinantes.
- Ne pas laisser les nettoyants tremper sur les surfaces.

## Entretien et nettoyage (cont.)

- Utiliser une éponge ou un chiffon doux et humide. Ne jamais utiliser de matériau abrasif tel qu'une brosse ou une éponge à récurer pour nettoyer les surfaces.
- La technique de nettoyage idéale est de bien rincer et d'essuyer le produit pour le sécher après chaque usage.

Pour obtenir des informations détaillées sur le nettoyage et les produits à considérer, consulter le site [www.kohler.com/clean](http://www.kohler.com/clean). Pour commander des informations sur l'entretien & le nettoyage, appeler le 1-800-456-4537.

## Dépannage

Ce guide de dépannage est seulement destiné à fournir une aide d'ordre général. Pour des problèmes ou questions concernant l'entretien et l'installation, composer le 1-800-4-KOHLER.

### Tableau de dépannage

Symptômes	Cause probable	Action recommandée
1. La porte fait du bruit lorsqu'elle est ouverte ou fermée.	<p><b>A.</b> Une attache de rouleau extérieur n'est pas dirigée tout droit vers le bas et racle dans le linteau.</p> <p><b>B.</b> Un rouleau extérieur n'est pas bien serré, ce qui fait que l'attache racle dans le linteau.</p> <p><b>C.</b> Les panneaux de porte sont placés trop bas, ce qui fait qu'ils raclent sur la base du guide central ou sur le bac de la douche/le rebord de la baignoire.</p> <p><b>D.</b> Les rouleaux sont usés et bruyants.</p>	<p><b>A.</b> Desserrer la vis du rouleau extérieur, tourner l'attache de manière à ce qu'elle soit dirigée tout droit vers le bas et qu'elle soit engagée dans le linteau, et serrer la vis du rouleau en toute sécurité.</p> <p><b>B.</b> Serrer les vis du rouleau extérieur en assurant que les attaches soient dirigées tout droit vers le bas.</p> <p><b>C.</b> Ajuster les rouleaux pour élever les panneaux de porte de manière à ce qu'ils ne raclent plus. Voir l'étape 24.</p> <p><b>D.</b> Remplacer les rouleaux.</p>
2. Il est difficile de déplacer la porte ou elle ne s'ouvre pas.	<p><b>A.</b> Une attache de rouleau n'est pas dirigée tout droit vers le bas et racle dans le linteau.</p> <p><b>B.</b> Les panneaux de porte sont placés trop bas, ce qui fait qu'ils raclent sur la base du guide central ou sur le bac de la douche/le rebord de la baignoire.</p>	<p><b>A.</b> Desserrer la vis du rouleau, tourner l'attache de manière à ce qu'elle soit dirigée tout droit vers le bas et qu'elle soit engagée dans le linteau, et serrer la vis du rouleau en toute sécurité.</p> <p><b>B.</b> Ajuster les rouleaux pour élever les panneaux de porte de manière à ce qu'ils ne raclent plus.</p>
3. Les panneaux de la porte peuvent basculer librement vers l'intérieur ou l'extérieur de la douche.	<p><b>A.</b> Le guide central n'est pas installé.</p> <p><b>B.</b> Le guide central n'est pas installé dans l'emplacement correct.</p> <p><b>C.</b> Les panneaux de porte ne sont pas installés correctement sur le guide central.</p> <p><b>D.</b> La taille de la porte est incorrecte pour l'ouverture de la douche.</p>	<p><b>A.</b> Installer le guide central selon les instructions.</p> <p><b>B.</b> Installer le guide central sur le centre du bac de la douche/le rebord de la baignoire.</p> <p><b>C.</b> Les rails du guide central doivent se trouver à l'intérieur des cadres inférieurs des panneaux de porte.</p> <p><b>D.</b> Obtenir le produit adéquat pour l'ouverture de la douche.</p>

## Dépannage (cont.)

### Tableau de dépannage

Symptômes	Cause probable	Action recommandée
4. Le guide central est desserré.	<p><b>A.</b> Le seuil n'est pas entièrement installé sur le guide central.</p> <p><b>B.</b> Le guide central n'est pas installé correctement sur le bac de la douche/le rebord de la baignoire.</p> <p><b>C.</b> Le guide central n'est pas installé dans l'emplacement correct.</p> <p><b>D.</b> Les panneaux de porte sont placés trop bas, ce qui fait qu'ils raclent sur la base du guide central ou sur le bac de la douche/le rebord de la baignoire.</p>	<p><b>A.</b> Appuyer fermement sur le seuil, sur le connecteur du guide central, jusqu'à ce que les deux pièces s'enclenchent.</p> <p><b>B.</b> Appliquer du mastic à la silicone à 100% autour du guide central au complet. Ceci est effectué le plus facilement si le panneau extérieur est retiré.</p> <p><b>C.</b> Installer le guide central sur le centre du bac de la douche/rebord de la baignoire.</p> <p><b>D.</b> Ajuster les rouleaux pour élever les panneaux de porte de manière à ce qu'ils ne raclent plus. Voir l'étape 24.</p>
5. Fuites d'eau.	<p><b>A.</b> Fuites d'eau sous le seuil.</p> <p><b>B.</b> Fuites d'eau sous un panneau de porte.</p> <p><b>C.</b> Fuites d'eau sous un panneau de porte.</p> <p><b>D.</b> Fuites d'eau entre les panneaux de porte.</p> <p><b>E.</b> Fuites d'eau entre un panneau de porte et un montant de mur.</p> <p><b>F.</b> Fuites d'eau entre un panneau de porte et un montant de mur.</p> <p><b>G.</b> Fuites d'eau à l'arrière du montant de mur.</p>	<p><b>A.</b> Appliquer du mastic à la silicone à 100% sur le rebord extérieur du seuil. Voir les instructions du fabricant du mastic à la silicone avant d'utiliser la douche.</p> <p><b>B.</b> Ajuster les rouleaux de manière à ce que les parties inférieures des panneaux de porte soient plus près du bac de la douche/rebord de la baignoire. Voir l'étape 24.</p> <p><b>C.</b> Retirer les couvertures de montants de mur et s'assurer que les tasseaux sont installés correctement. Si un écartement est présent entre le montant de mur et le tasseau, les panneaux de porte pourraient avoir été installés trop haut.</p> <p><b>D.</b> S'assurer que le panneau intérieur soit le panneau le plus proche de la pomme de douche lorsqu'on prend une douche.</p> <p><b>E.</b> Ajuster les rouleaux de manière à ce que les butoirs entrent en contact uniformément avec le mur et le panneau de porte. Voir l'étape 24.</p> <p><b>F.</b> Commander et installer la trousse d'étanchéité optionnelle.</p> <p><b>G.</b> Appliquer du mastic à la silicone à 100% sur le rebord extérieur et le rebord intérieur du montant de mur. Voir les instructions du fabricant du mastic à la silicone avant d'utiliser la douche.</p>

## Dépannage (cont.)

### Tableau de dépannage

Symptômes	Cause probable	Action recommandée
6. La poignée n'est pas installée en toute sécurité.	A. Le panneau de porte n'est pas nettoyé de manière adéquate avant l'installation de la poignée ou la poignée n'est pas enfoncée fermement pendant l'installation.	A. Nettoyer le panneau de porte et installer une nouvelle poignée.

## Garantie

### GARANTIE LIMITÉE D'UN AN

Les produits de plomberie KOHLER sont garantis contre tout vice de matériau et de fabrication pendant un an à partir de la date de l'installation.

Si un vice est découvert au cours d'une utilisation normale, Kohler Co. choisira, à sa discrétion, la réparation, le remplacement ou la rectification appropriée après inspection desdits vices par Kohler Co. pendant un (1) an à partir de la date d'installation. Kohler Co. n'est pas responsable des frais d'enlèvement ou d'installation. **L'utilisation de nettoyeurs à l'intérieur du réservoir annule la garantie.**

Pour obtenir le service de garantie, contacter Kohler Co., par l'intermédiaire du vendeur, plombier, centre de rénovation ou revendeur par internet, ou bien par écrit à l'adresse suivante Kohler Co., Attn.: Customer Care Center, 444 Highland Drive, Kohler, WI 53044, USA, ou appeler le 1-800-4-KOHLER (1-800-456-4537) à partir des É.-U. et du Canada, et le 001-800-456-4537 à partir du Mexique, ou consulter le site [www.kohler.com](http://www.kohler.com) aux É.-U., [www.ca.kohler.com](http://www.ca.kohler.com) à partir du Canada, ou [www.mx.kohler.com](http://www.mx.kohler.com) au Mexique.

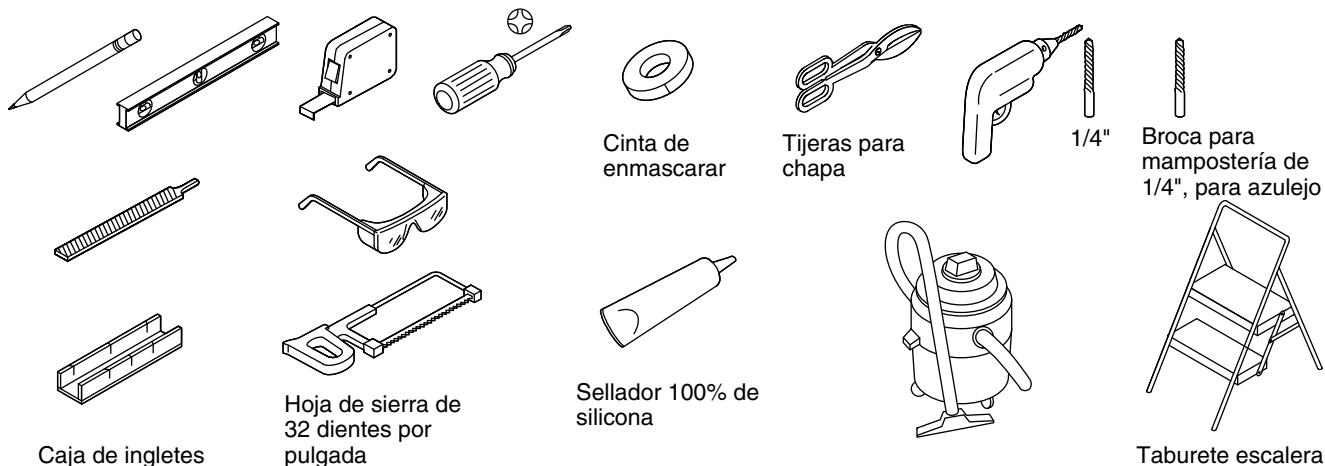
**LES GARANTIES TACITES, Y COMPRIS CELLES DE COMMERCIALITÉ ET D'ADAPTATION À UN USAGE PARTICULIER, SONT EXPRESSÉMENT LIMITÉE À LA DURÉE DE LA PRÉSENTE GARANTIE. KOHLER CO. ET/OU LE REVENDEUR DÉCLINENT TOUTE RESPONSABILITÉ CONTRE LES DOMMAGES PARTICULIERS, ACCESSOIRES OU INDIRECTS.** Certains états et provinces ne permettent pas de limite sur la durée de la garantie tacite, ni l'exclusion ou la limite des dommages particuliers, accessoires ou indirects, et, par conséquent, lesdites limites et exclusions peuvent ne pas s'appliquer à votre cas. Cette garantie vous donne des droits juridiques particuliers. Vous pouvez également avoir d'autres droits qui varient d'un état ou d'une province à l'autre.

**Ceci constitue la garantie écrite exclusive de Kohler Co.**







# Guía de instalación y cuidado

## Puertas corredizas de bañera y de ducha

### Herramientas y materiales



### Antes de comenzar

-  **ADVERTENCIA: Riesgo de lesiones graves.** Daños previos a la instalación podrían ocasionar que el vidrio se quiebre en pedazos. Antes de hacer la instalación revise el vidrio y todas las piezas para ver si presentan daños.
-  **ADVERTENCIA: Riesgo de lesiones graves.** Si la instalación se hace de manera incorrecta, el vidrio podría quebrarse en pedazos. Siga todas las instrucciones de instalación.
-  **ADVERTENCIA: Riesgo de lesiones graves.** No corte vidrio templado. El vidrio templado se quiebra en pedazos si se corta.
-  **ADVERTENCIA: Riesgo de lesiones graves.** La puerta y los paneles laterales de la ducha podrían quebrarse en pedazos. Revise con regularidad el vidrio y todas las piezas para ver si presentan daños, si algo falta o si hay piezas sueltas.
-  **ADVERTENCIA: Riesgo de lesiones graves.** Siempre utilice anteojos de seguridad al cortar y al taladrar.
-  **PRECAUCIÓN: Riesgo de lesiones personales.** El vidrio templado no debe hacer contacto con superficies duras, pues podría quebrarse en pedazos. No toque el borde de un panel de vidrio templado con herramientas ni con ningún otro objeto duro.

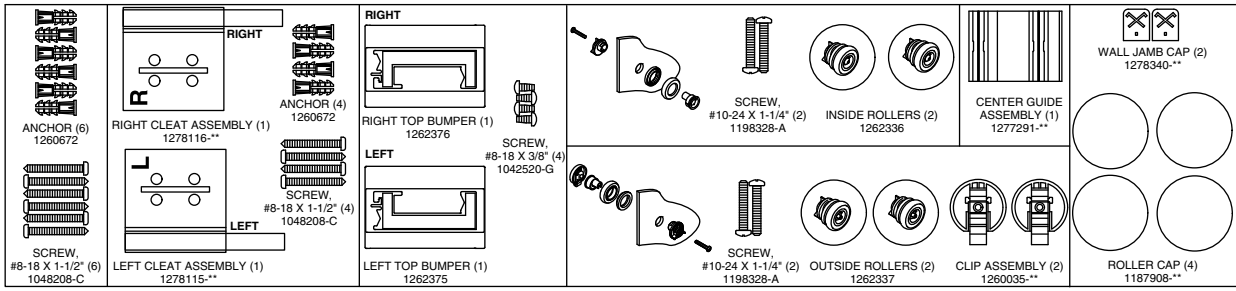
**¡IMPORTANTE!** Deje este manual para el usuario final. Lea estas instrucciones antes de instalar o de utilizar este producto.

**¡IMPORTANTE!** Esta puerta está diseñada para paredes que estén a menos de 3/8" (10 mm) de estar completamente a plomo. Verifique que el área donde se vaya a fijar la puerta esté menos de 3/8" (10 mm) de estar completamente a plomo. Es posible que la puerta no funcione correctamente si la pared está fuera de plomo más de 3/8" (10 mm).

- Cubra el desagüe con cinta adhesiva de enmascarar para evitar perder piezas pequeñas.
- Identifique todas las piezas antes de la instalación.

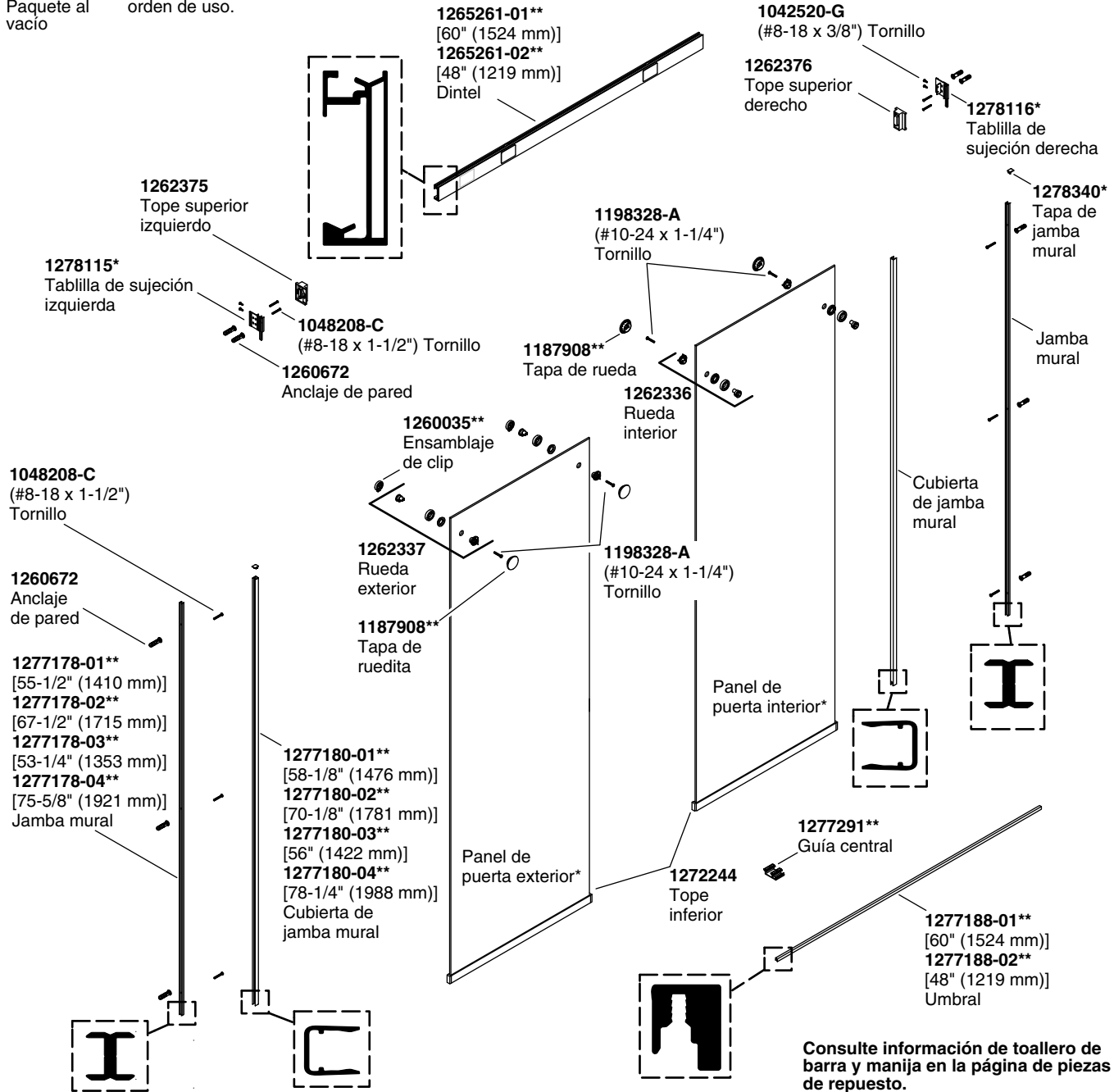
### **Antes de comenzar (cont.)**

- Identifique los paneles interior y exterior al comparar la distancia entre el borde superior del vidrio y el orificio de montaje de las rueditas. Las rueditas en el panel interior se instalan más abajo que en el panel exterior.
- Siga las instrucciones de aplicación y el de tiempo de secado del fabricante del sellador de silicona.



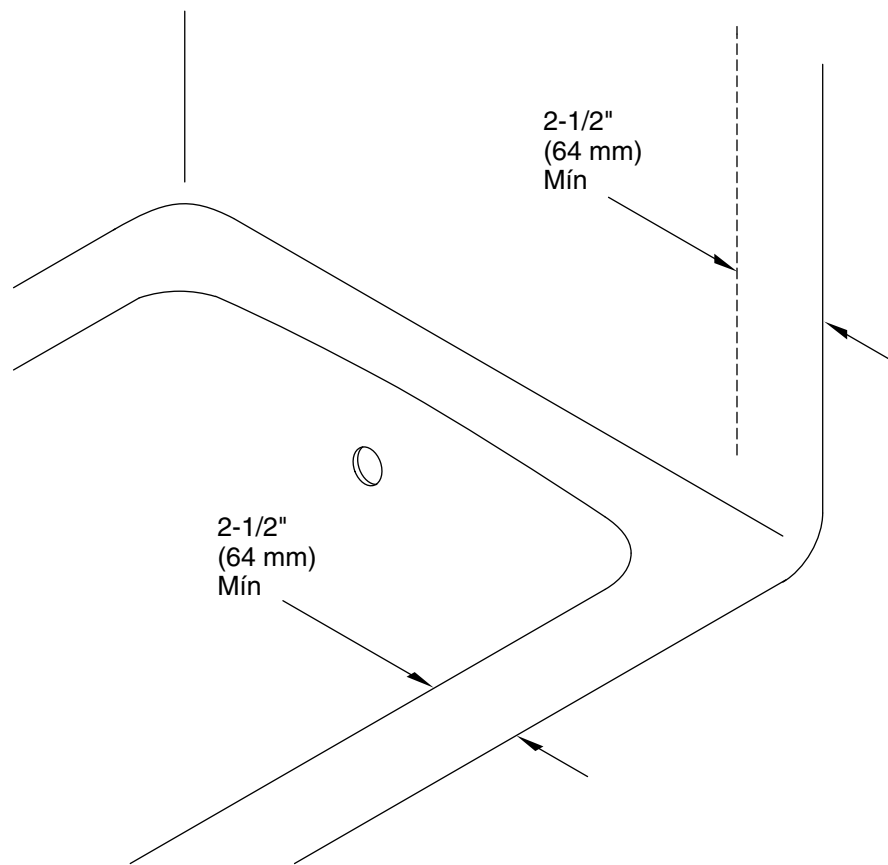
**1281033-\*\*-\*\***  
Paquete al vacío

Las piezas se muestran en orden de uso.



Consulte información de toallero de barra y manija en la página de piezas de repuesto.

**Identificación de piezas**



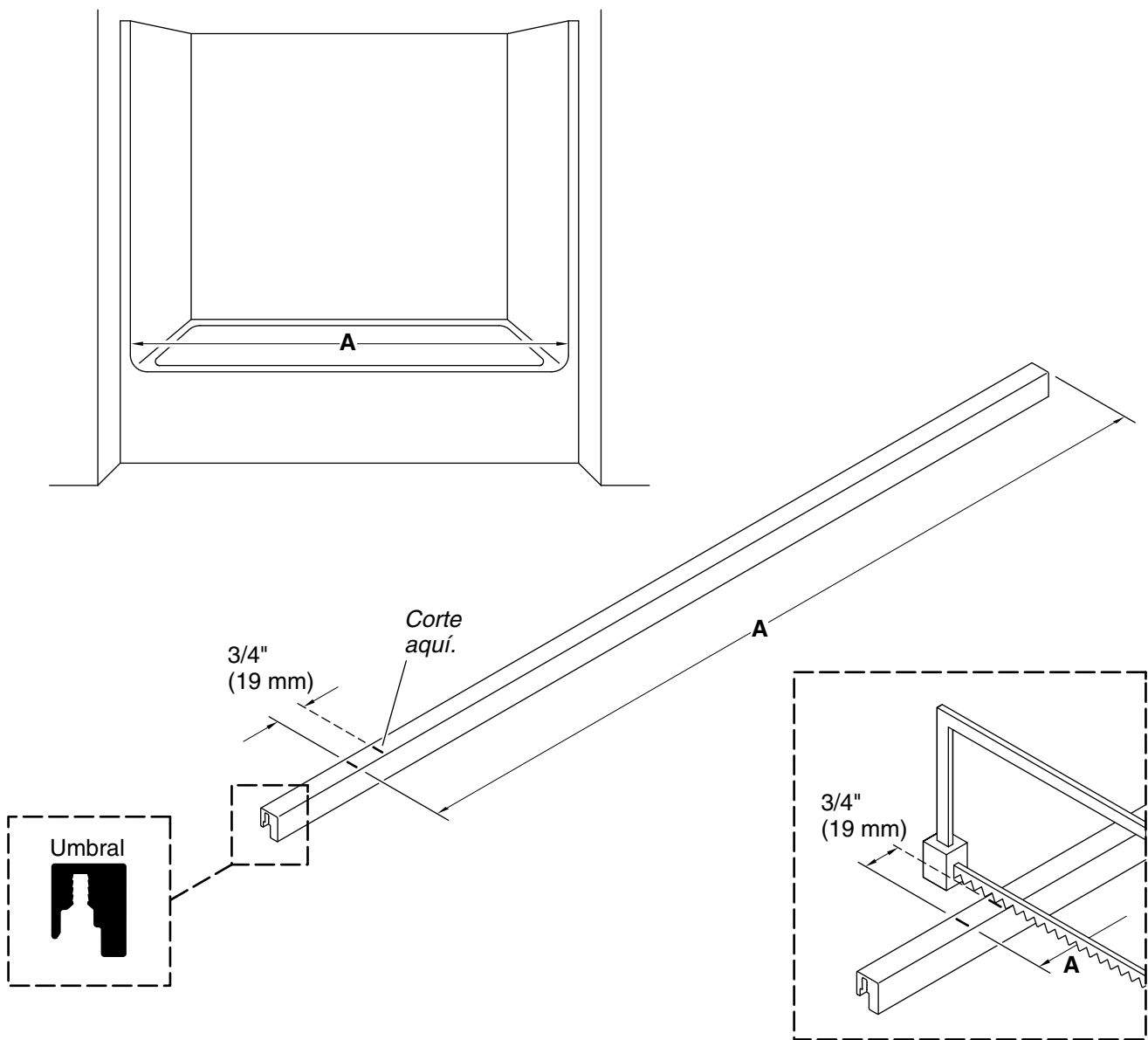
## 1. Confirme la compatibilidad de los rebordes y las paredes

**¡IMPORTANTE!** Confirme que la base de la ducha/el reborde de bañera y las paredes cumplan los siguientes requisitos:

- Debe haber por lo menos 2-1/2" (64 mm) de superficie plana en la base de la ducha/el reborde de la bañera y en las paredes.
- Las paredes deben estar a menos de 3/8" (10 mm) de estar completamente a plomo.
- La base de la ducha/el reborde de la bañera deben estar a menos de 3/8" (10 mm) de estar completamente nivelados.

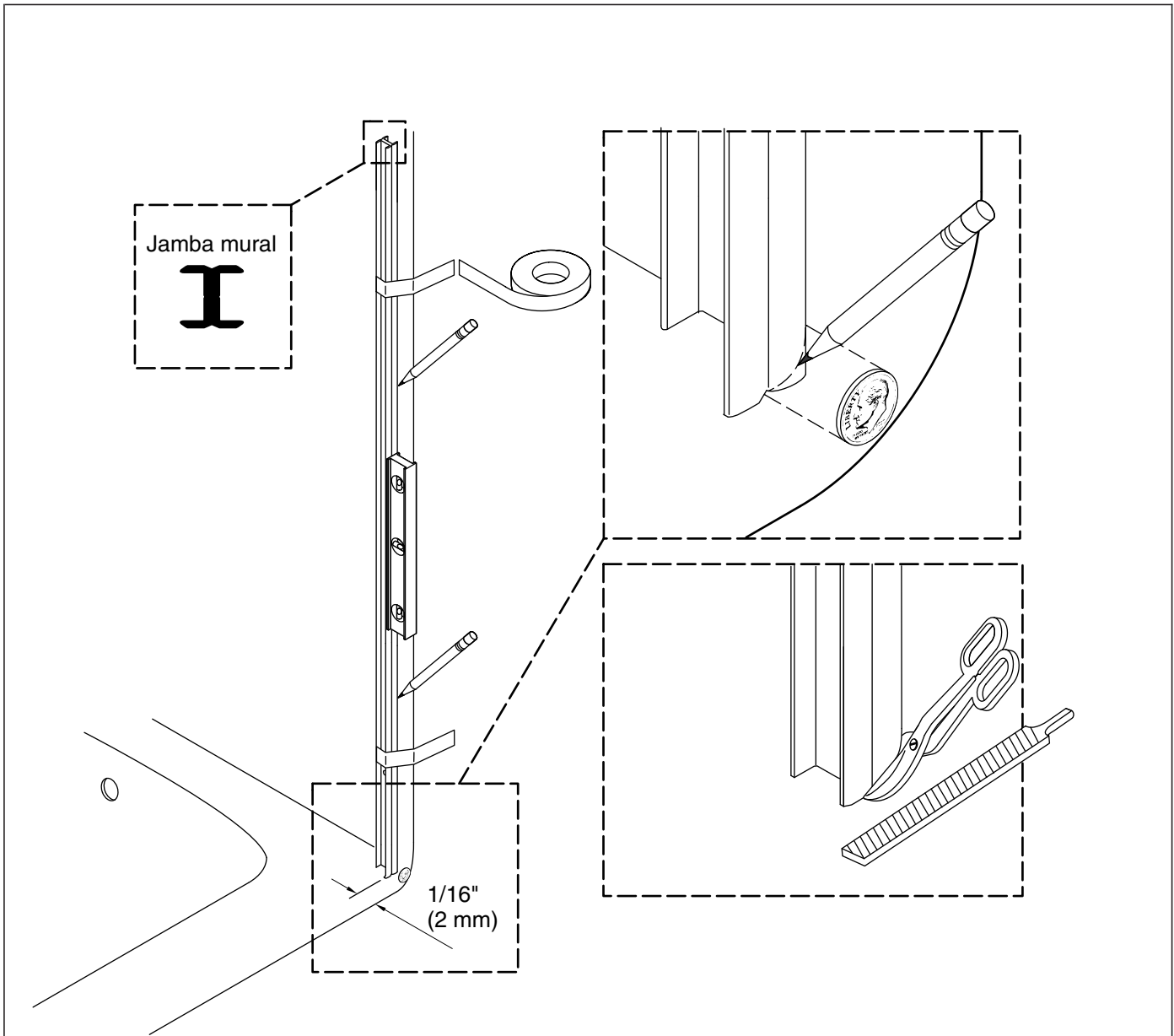
**No instale la puerta** si no se cumplen estos requisitos.





## 2. Mida y corte el umbral

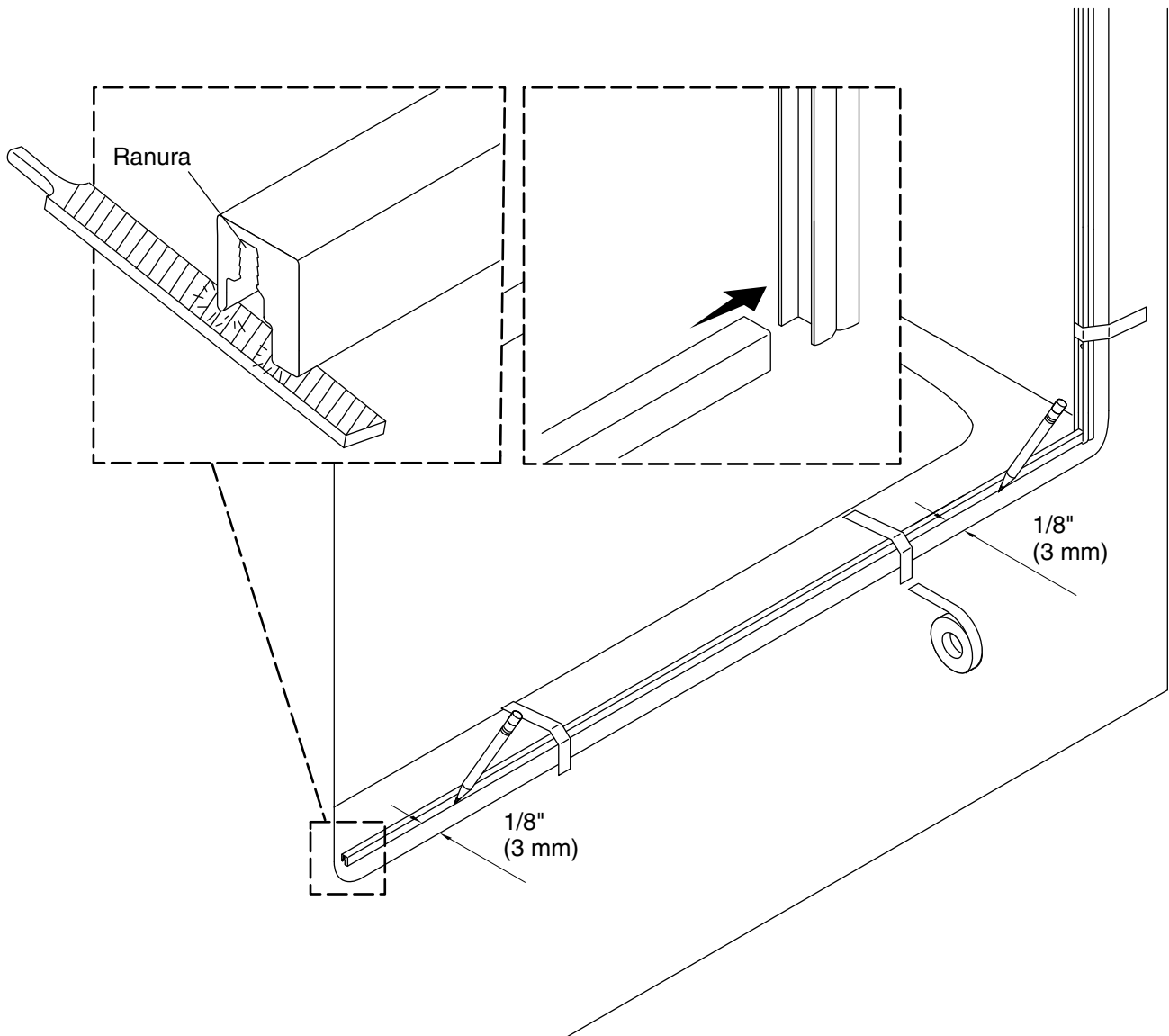
- Cubra el desagüe con cinta adhesiva de enmascarar para evitar perder piezas pequeñas.
- Proteja la superficie de la ducha con una lona.
- Mida la distancia "A" entre las paredes de la ducha, y márkuela en el umbral.
- Mida 3/4" (19 mm) a partir de la marca "A" y haga una segunda marca en el umbral, como se indica.
- Corte el umbral en la segunda marca y lime los bordes ásperos.



### 3. Prepare la primera jamba mural

**¡IMPORTANTE!** La jamba mural debe quedar justa contra la base de la ducha/el reborde de la bañera y la pared.

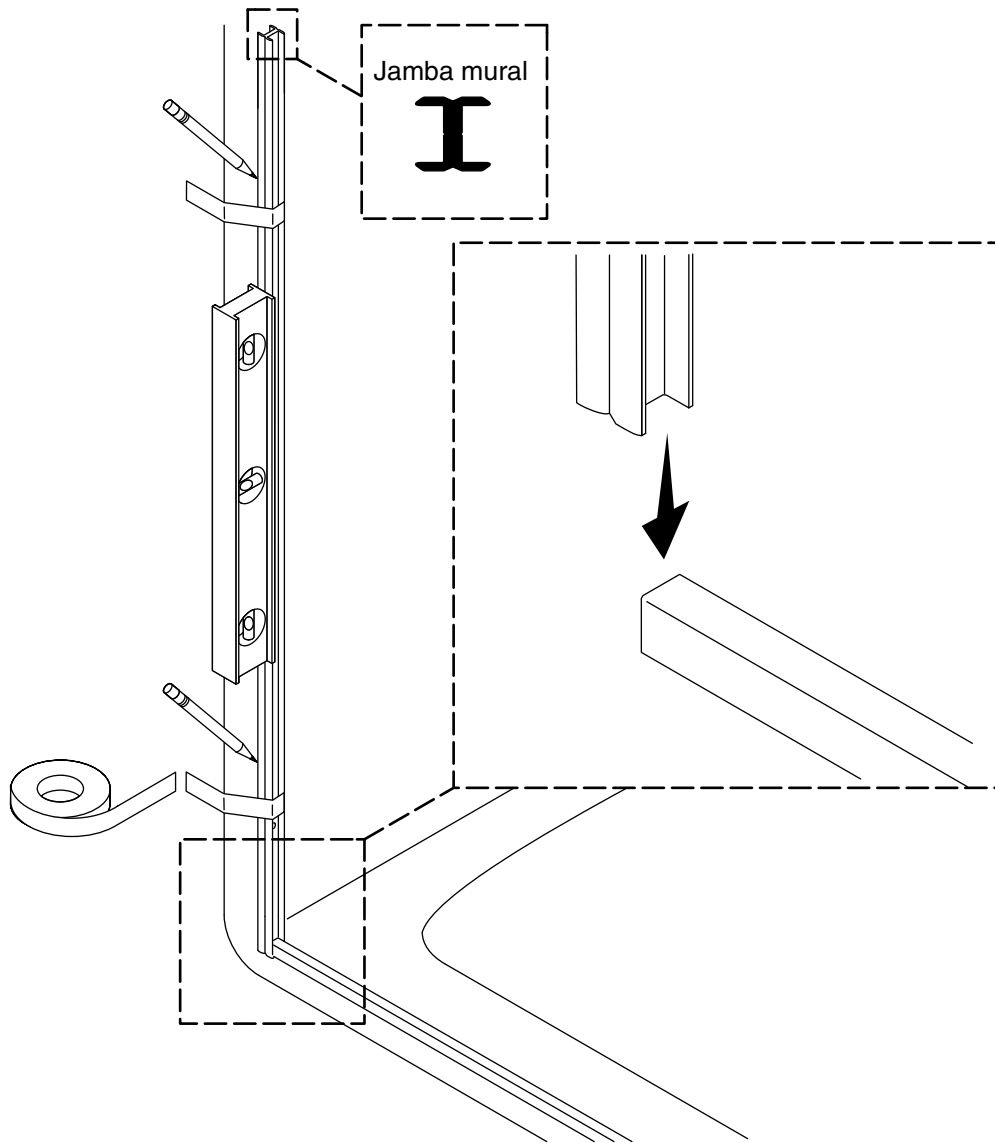
- Coloque la jamba mural contra la pared de forma que quede a 1/16" del radio de la base de la ducha/el reborde de la bañera, como se muestra.
- De ser necesario, dé forma y lime la esquina inferior para que ajuste contra la pared de la ducha. Con una moneda igual y copie el radio de la esquina.
- Coloque la jamba mural a plomo.
- Pegue bien la jamba mural en su lugar con cinta adhesiva de enmascarar, y marque esta ubicación.



#### 4. Coloque el umbral en su lugar

**AVISO:** El umbral debe asentar sobre una superficie plana.

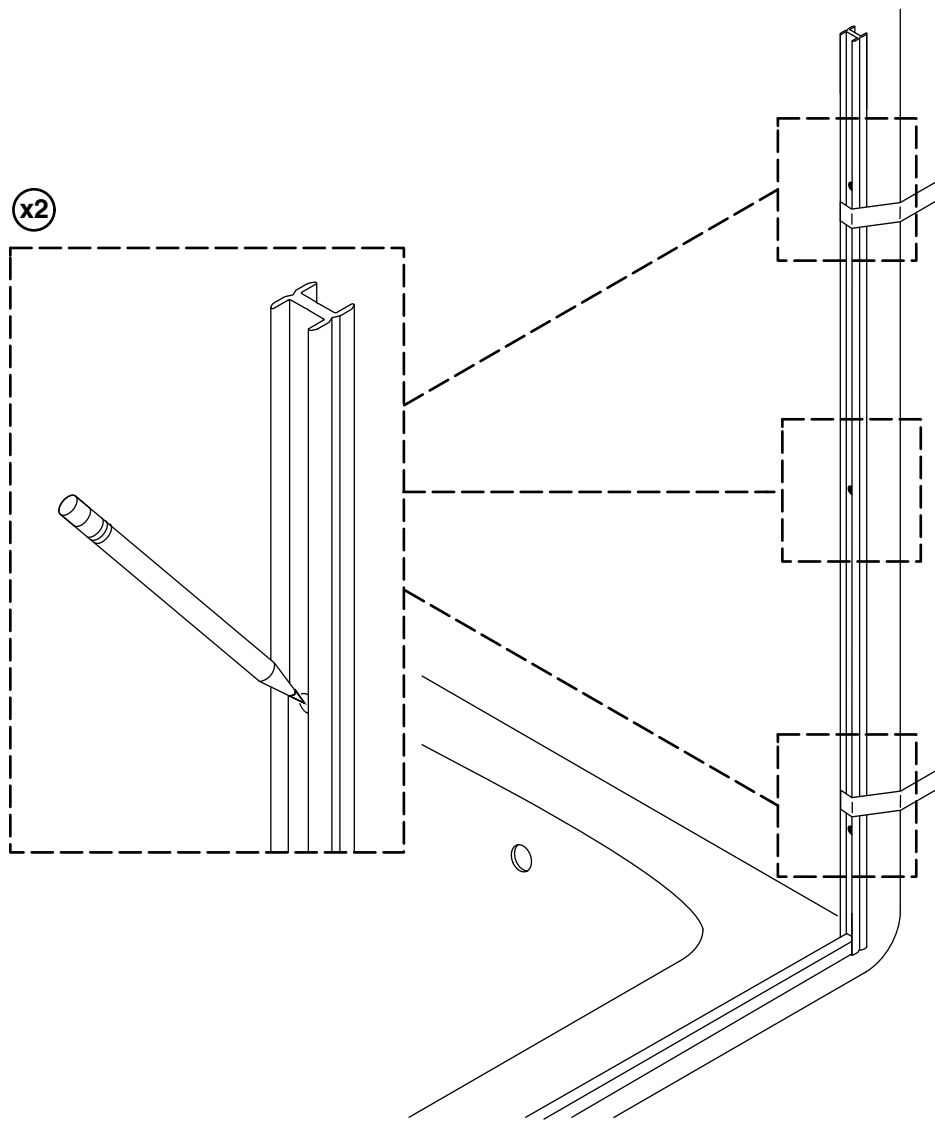
- De ser necesario, lime los extremos del umbral para igualarlos al radio de las esquinas de la pared de la ducha.
- Introduzca el umbral en la jamba mural con la ranura hacia abajo y el extremo corto del umbral hacia el interior de la ducha.
- Coloque el umbral alineado, de forma que quede a la misma distancia de la base de la ducha/el reborde de la bañera a todo lo largo.
- Pegue bien el umbral en su lugar con cinta adhesiva de enmascarar, y marque esta ubicación.



## 5. Coloque la segunda jamba mural

**¡IMPORTANTE!** La jamba mural debe quedar justa contra la base de la ducha/el reborde de la bañera y la pared.

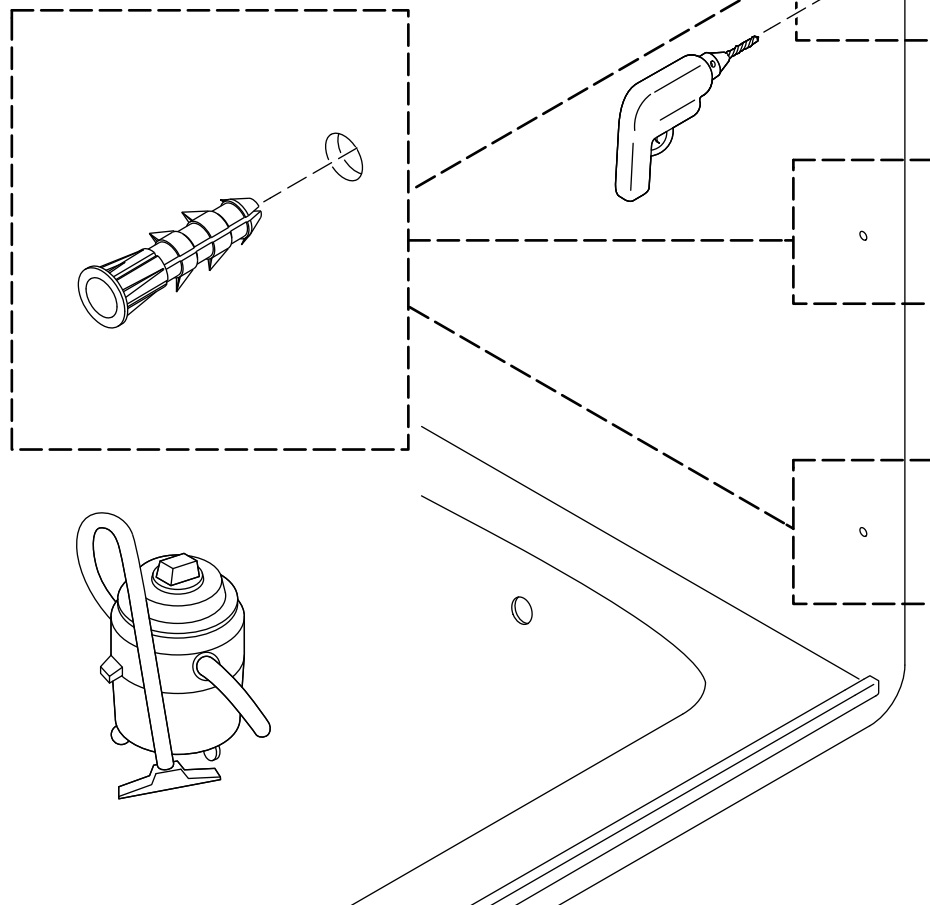
- Coloque la segunda jamba mural contra la pared y sobre el umbral en la pared opuesta de la ducha.
- De ser necesario, dé forma y lime la esquina inferior para que ajuste contra la pared de la ducha. Con una moneda iguale y copie el radio de la esquina.
- Coloque la jamba mural a plomo.
- Pegue bien la jamba mural en su lugar con cinta adhesiva de enmascarar, y marque esta ubicación.
- Asegúrese de que el umbral siga estando paralelo al frente de la base de la ducha/el reborde de la bañera.



## 6. Marque los orificios de anclaje de las jambas murales

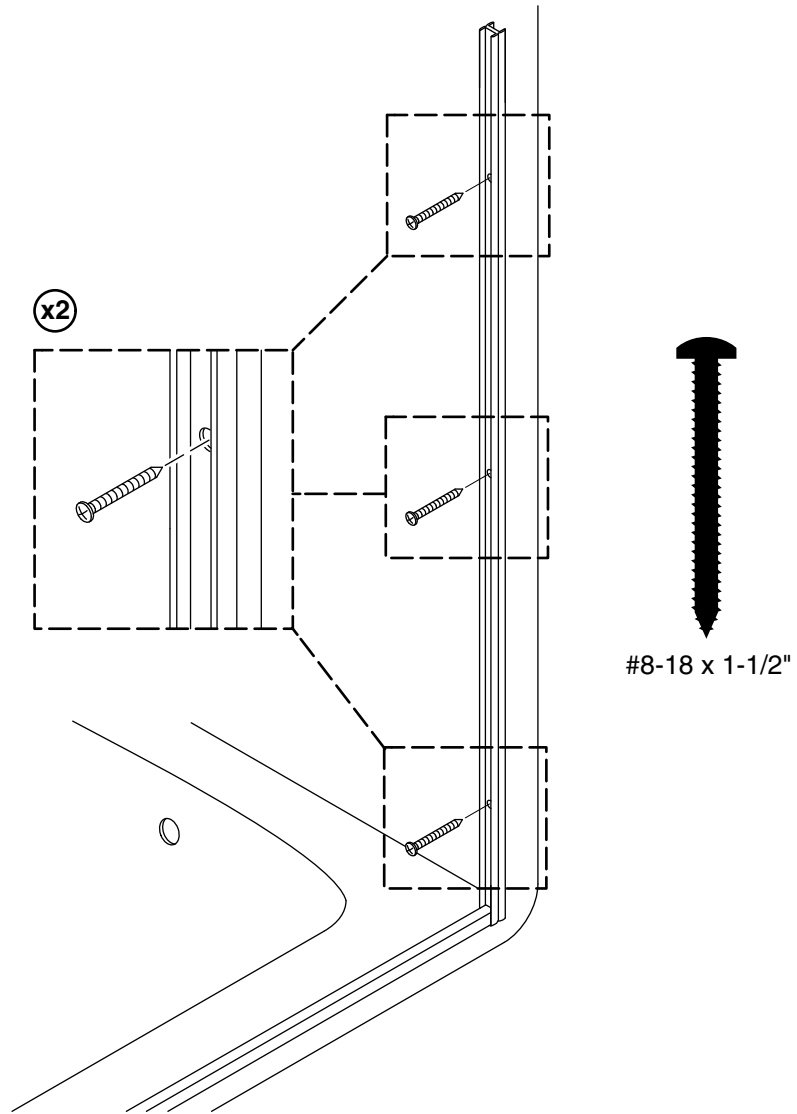
- Marque con un lápiz los tres lugares para los orificios de anclaje de una jamba mural.
- Retire la jamba mural y colóquela a un lado.
- Repita este procedimiento con la segunda jamba mural.

x2



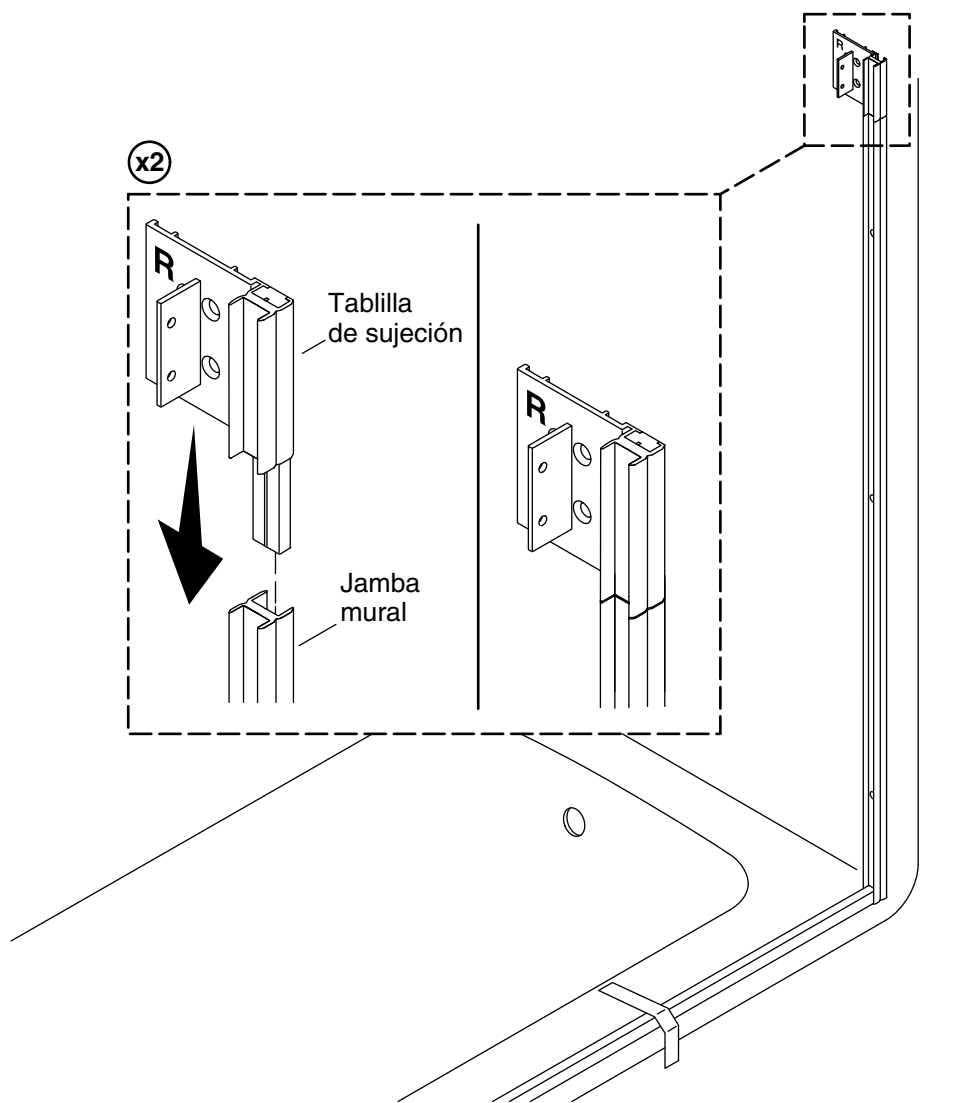
## 7. Taladre orificios e instale los anclajes

- Taladre un orificio de 1/4" en cada lugar marcado. En paredes de azulejo use una broca para mampostería.
- Instale los anclajes de pared que se incluyen. De ser necesario, dé golpes ligeros a los anclajes hasta que queden bien asentados contra la pared.
- Repita en la pared opuesta.
- Limpie por completo la base o el piso de la ducha, el reborde y la pared.



## 8. Instale las jambas murales

- Vuelva a colocar la jamba mural, y colóquela alineada con los orificios de anclaje.
- Fije la jamba mural con tres tornillos #8-18 x 1-1/2\".
- Repita este procedimiento con la segunda jamba mural.



## 9. Coloque las tablillas de sujeción

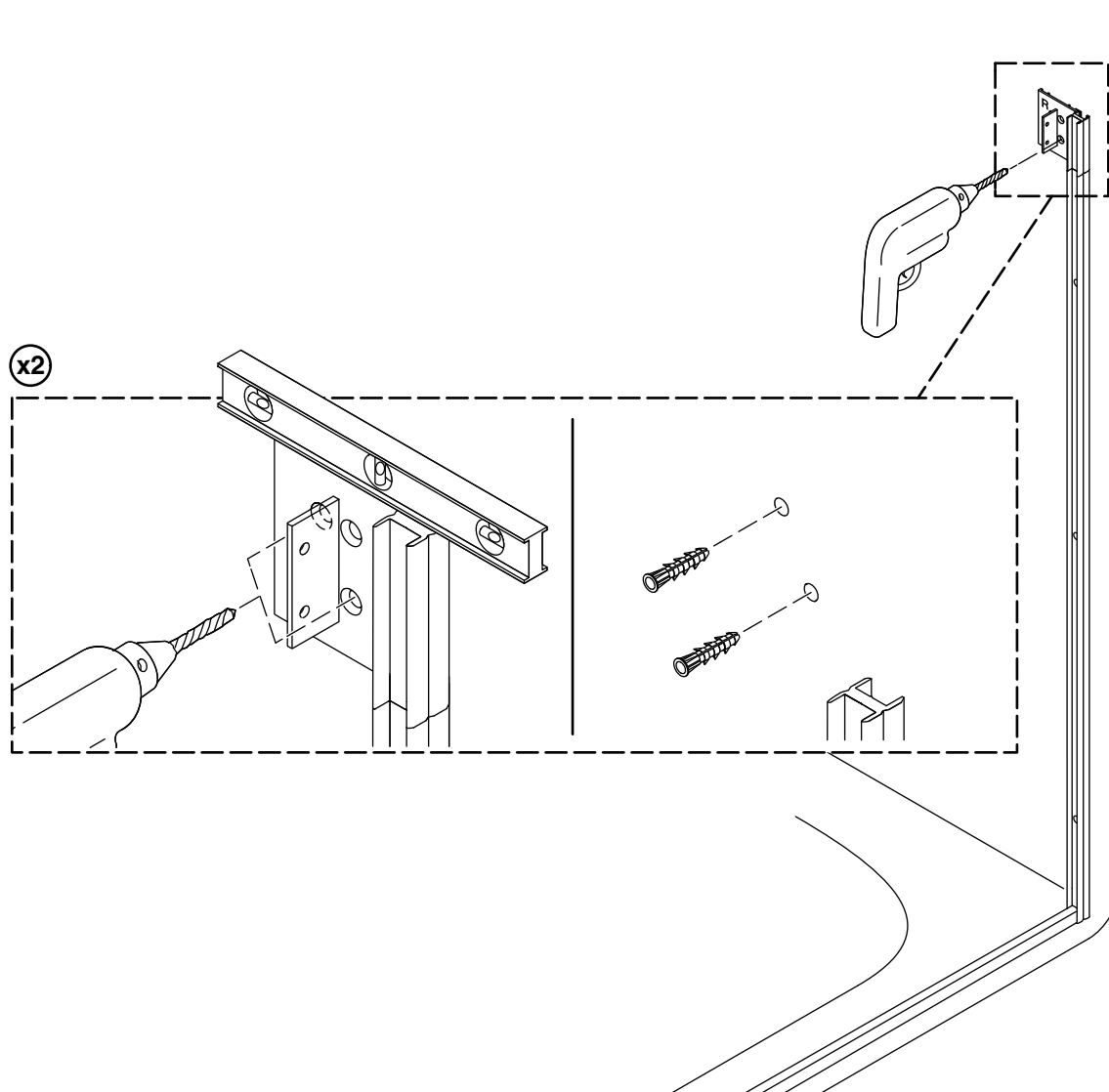
**AVISO:** Hay una tablilla de sujeción izquierda (marcada con "L") y una derecha (marcada con "R"). Colóquelas de forma que queden dentro del área de la ducha.

- Deslice la tablilla de sujeción en la canaleta entre la jamba mural y la pared.

**AVISO:** La tablilla de sujeción debe quedar nivelada y en contacto contra la pared.

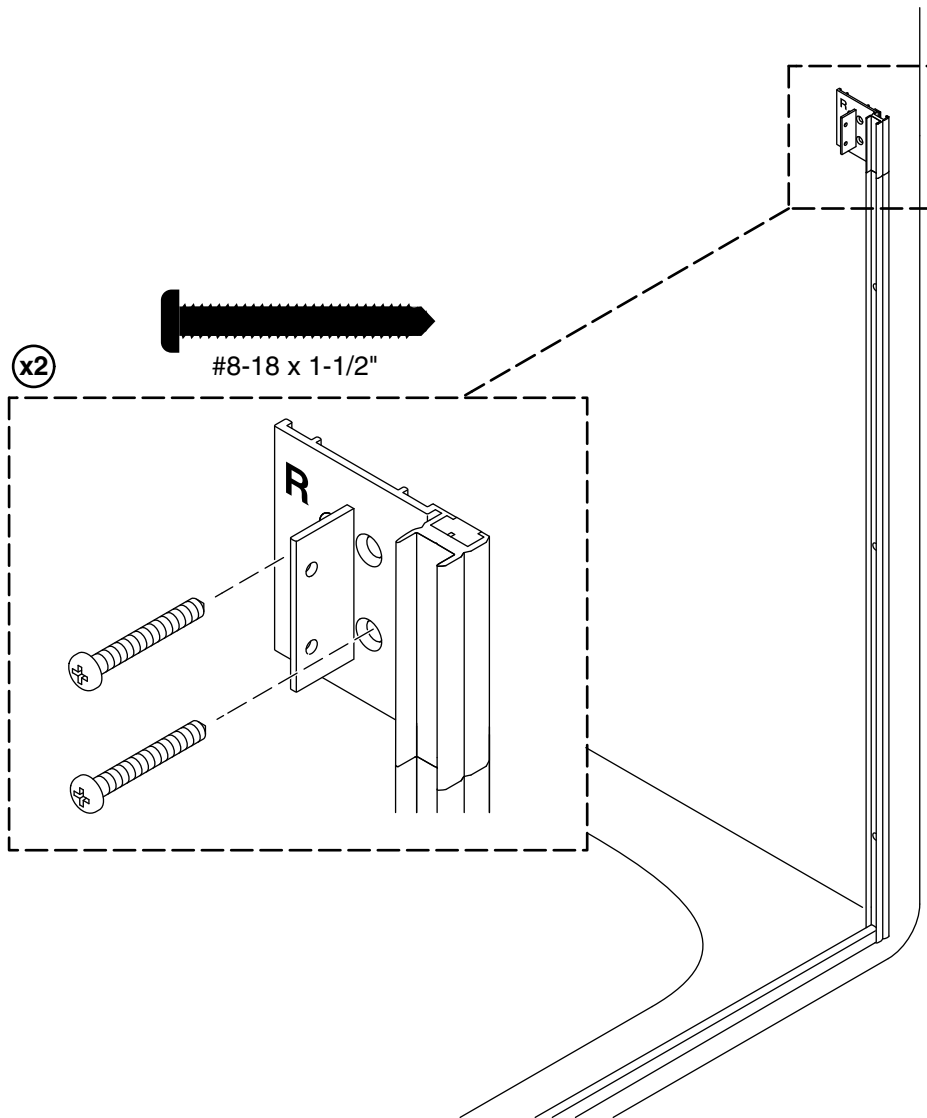
- Asegúrese de que la tablilla de sujeción quede al ras de la parte superior de la jamba mural.
- Repita el procedimiento con la segunda tablilla de sujeción.





## 10. Instale los anclajes de pared para las tablillas de sujeción

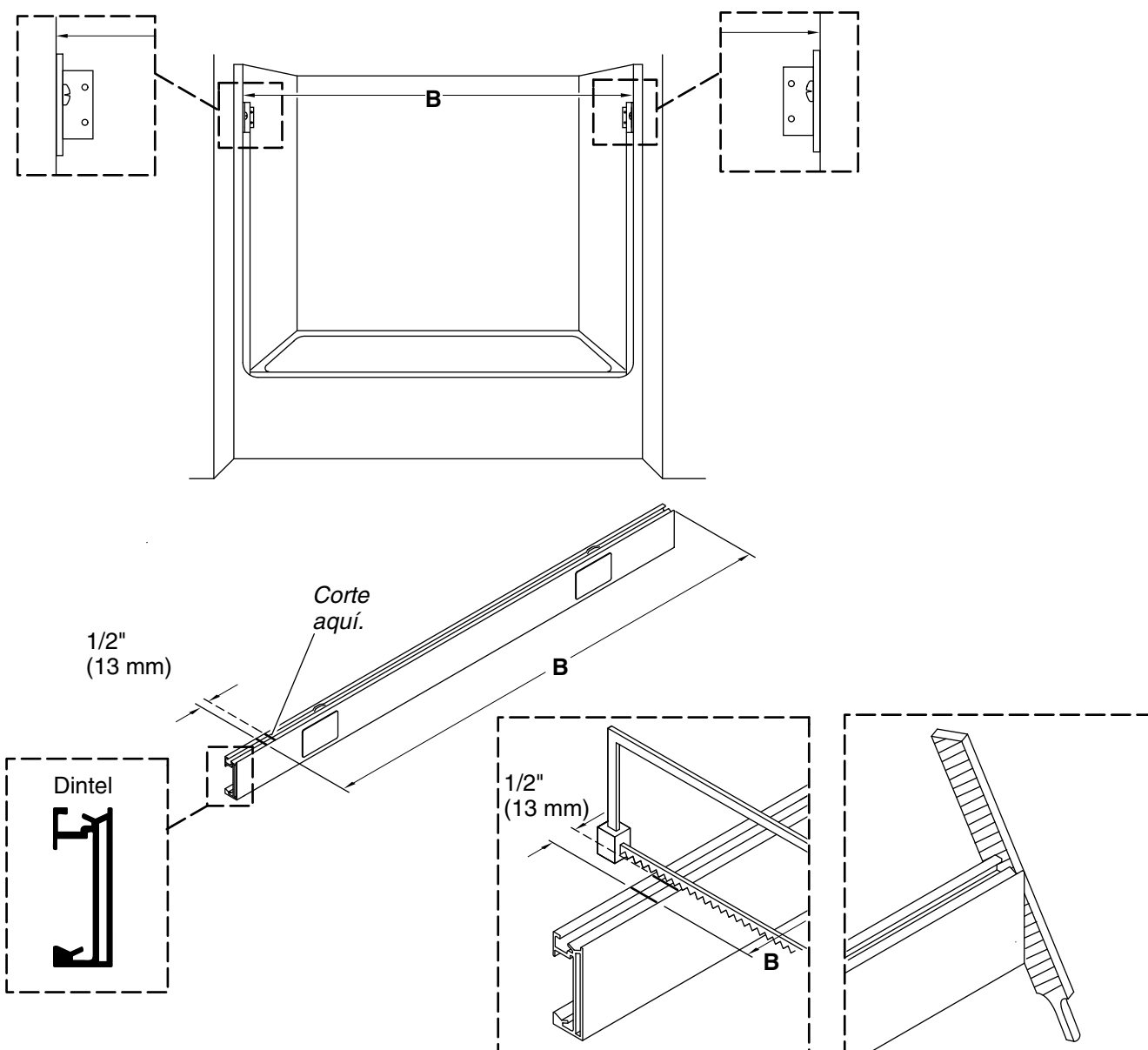
- Sostenga con firmeza en su lugar una tablilla de sujeción bien nivelada, y úsela como guía para taladrar dos orificios diagonales opuestos (por ejemplo, izquierdo superior y derecho inferior) de 1/4" en la pared.
- Retire la tablilla de sujeción e instale los anclajes de pared provistos. De ser necesario, dé golpes ligeros a los anclajes hasta que queden bien asentados contra la pared.
- Repita el procedimiento con la segunda tablilla de sujeción.
- Limpie por completo la base o el piso de la ducha, el reborde y la pared.



## 11. Fije las tablillas de sujeción

- Fije cada una de las tablilla de sujeción a la pared con dos tornillos #8-18 x 1-1/2".
- Verifique que las tablillas de sujeción sigan estando niveladas. Afloje los tornillos y ajuste la posición de las tablillas de sujeción, si es necesario.

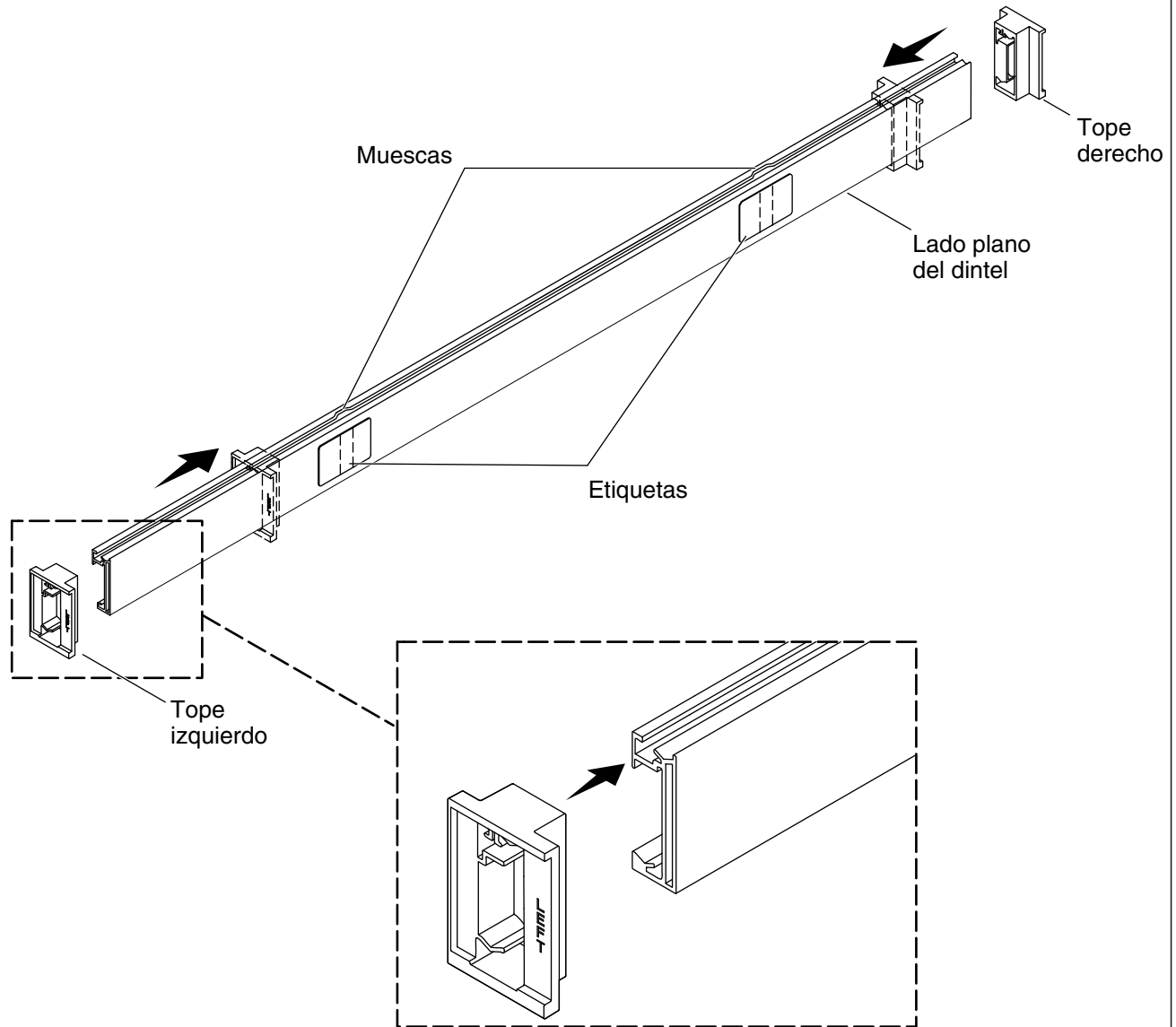
**AVISO:** Puede usarse el segundo juego de orificios si alguna de las tablillas de sujeción no queda bien nivelada. Repita el paso 10, si es necesario.



## 12. Mida y corte el dintel

**¡IMPORTANTE!** Confirme sus medidas antes de cortar. **No corte el dintel demasiado corto.**

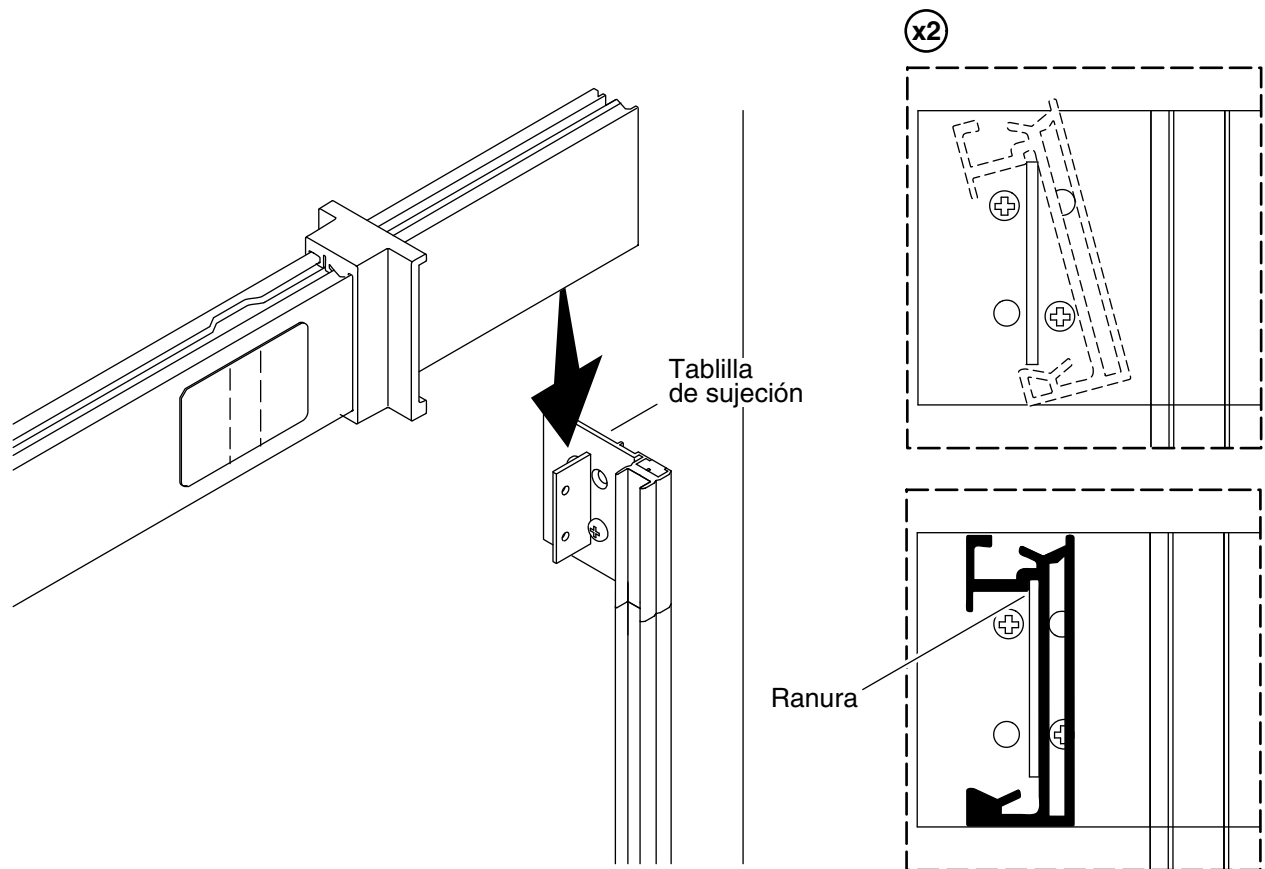
- Mida la distancia "B" entre las paredes, y márquela en el dintel.
- Mida 1/2" (13 mm) a partir de la marca "B" y haga una segunda marca en el dintel, como se indica.
- Corte el dintel en la segunda marca.
- Lime los bordes ásperos y limpie los desperdicios de los carriles de las rueditas.



### 13. Instale los topes al dintel

**AVISO:** Las palabras "LEFT" (izquierdo) y "RIGHT" (derecho) están moldeadas en los topes.

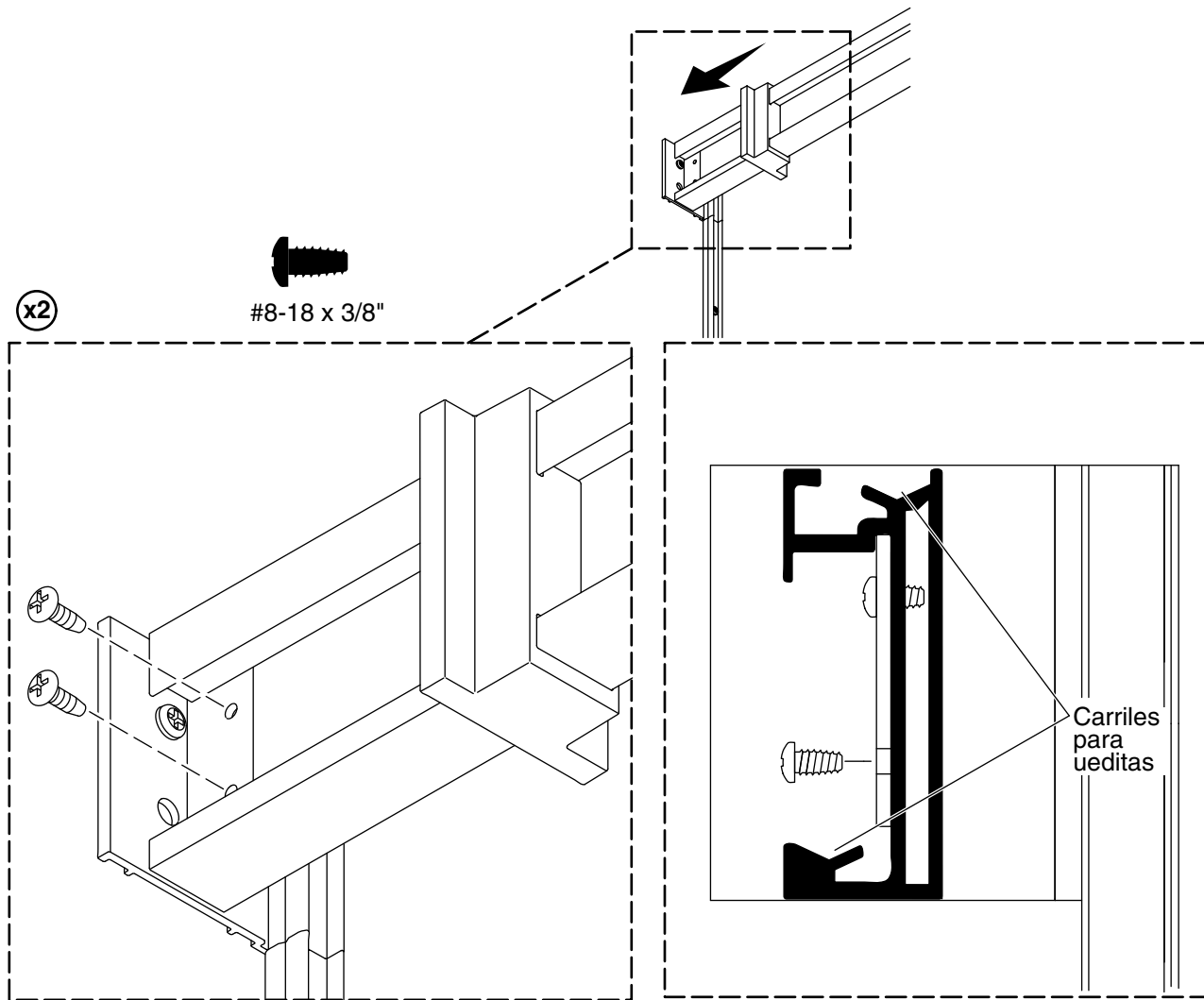
- Busque las etiquetas en el dintel y observe cómo se alinean con las muescas en la parte superior.
- Con las etiquetas en el dintel hacia usted, identifique los extremos izquierdo y derecho del dintel.
- Deslice el tope apropiado en cada uno de los extremos del dintel y muévalos hacia el centro.



## 14. Coloque el dintel en su lugar

**AVISO:** Las etiquetas en el dintel deben quedar hacia el exterior de la ducha.

- Desde el interior de la ducha, levante el dintel sobre las tablillas de sujeción.
- Incline el dintel y bájelo a las tablillas de sujeción, como se muestra.
- La parte superior de la tablillas de sujeción debe quedar en la parte superior de la ranura interior del dintel, como se muestra.
- Gire el dintel a su lugar hasta que quede plano contra las tablillas de sujeción.

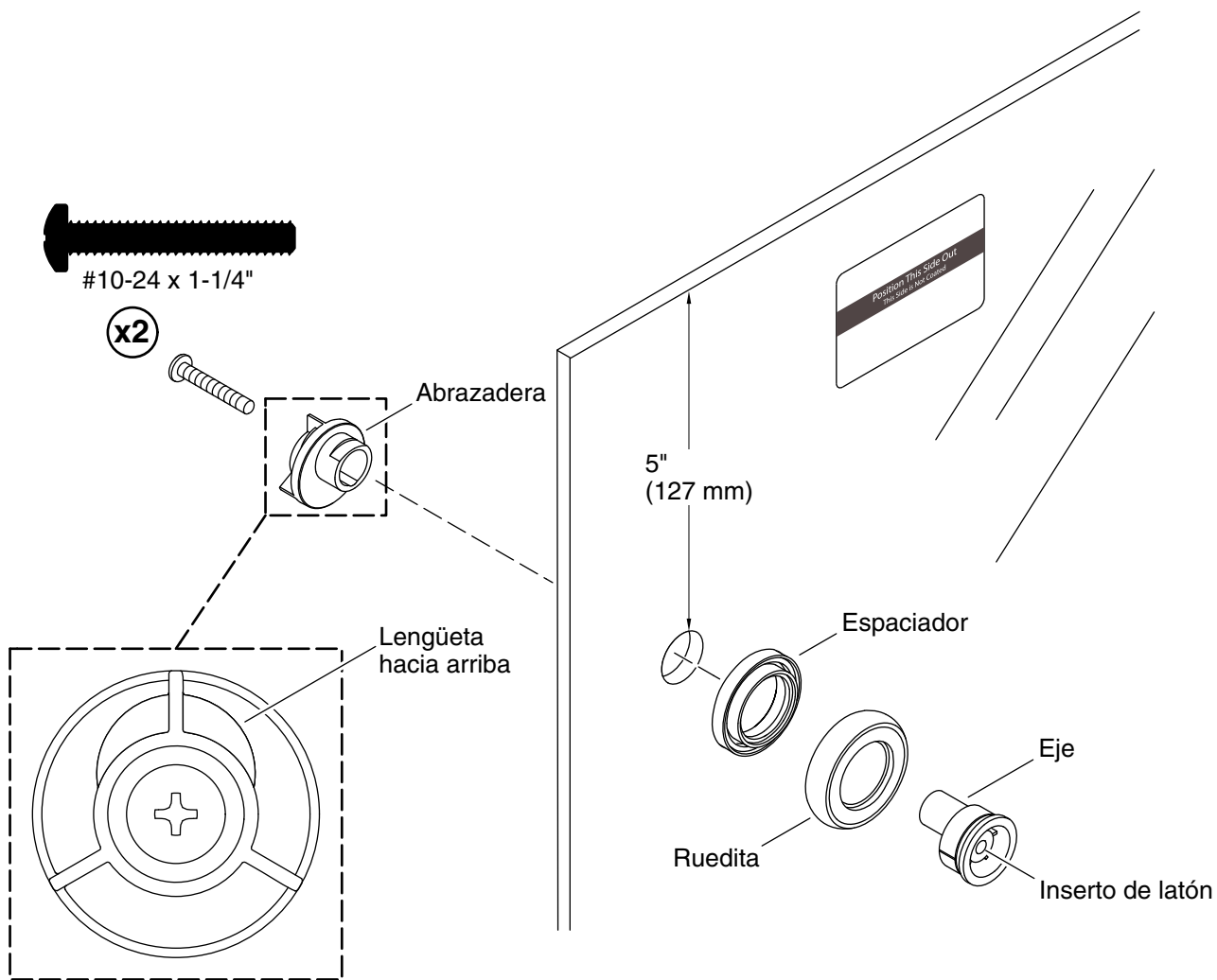


## 15. Fije el dintel

- Desde el interior de la ducha, fije el dintel a cada tablilla de sujeción con dos tornillos autorroscantes #8-18 x 3/8".

**NOTA:** No es necesario taladrar orificios con anticipación si se usan tornillos autorroscantes.

- Con cuidado limpie muy bien el dintel. Asegúrese de que no haya desechos en los carriles para las rueditas.
- Deslice los topes a que queden al ras contra cada una de las paredes.

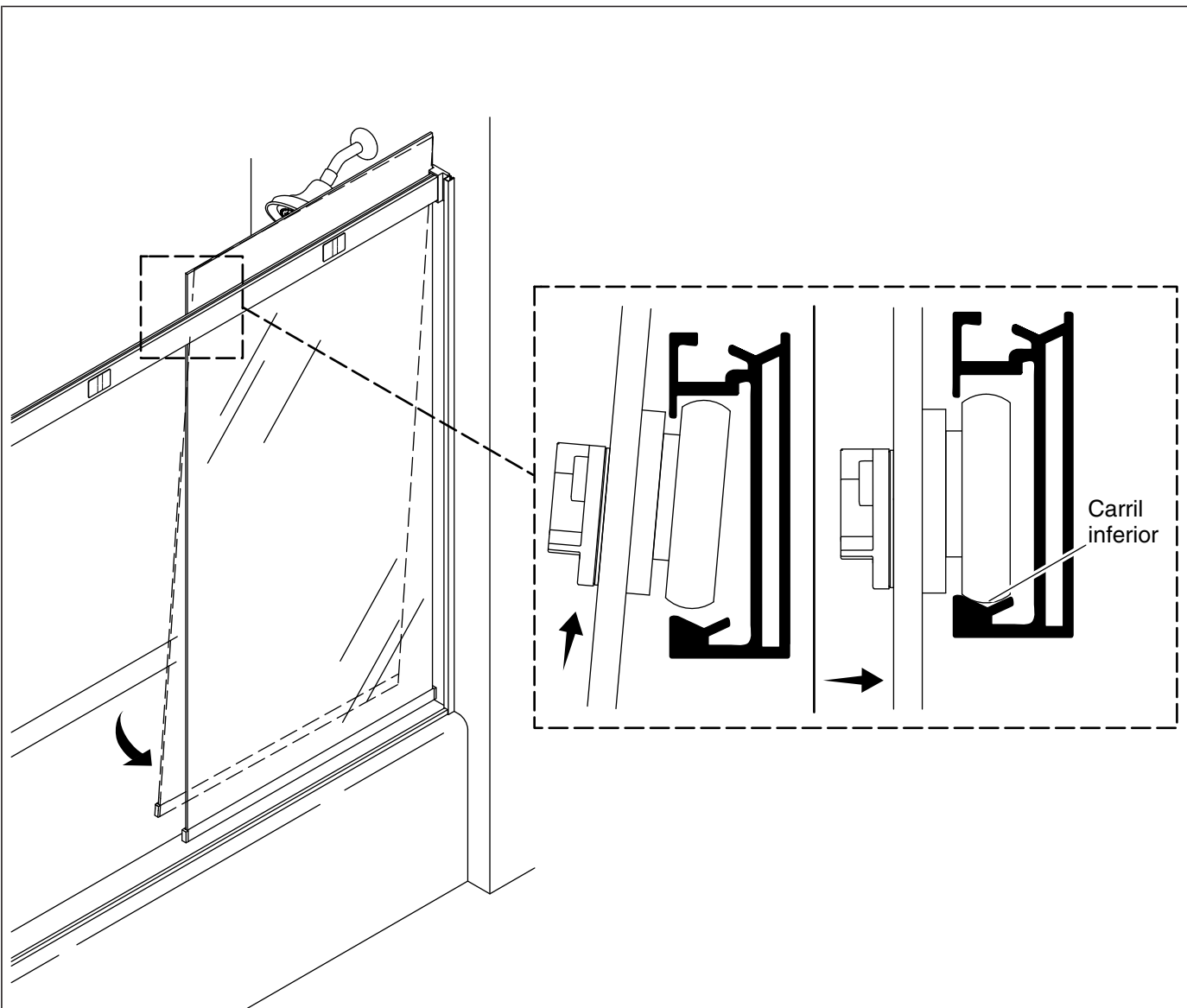


## 16. Ensamble el panel interior

**AVISO:** Los orificios de montaje para las rueditas del panel interior quedan 5" (127 mm) abajo de la parte superior del panel.

**AVISO:** Las rueditas interiores tienen un inserto de latón.

- Coloque cada una de las rueditas en el mismo lado del panel que lleva la etiqueta.
- Instale cada una de las rueditas interiores con la lengüeta en la parte de arriba. Esto coloca la puerta en su ajuste más alto, lo que facilita hacer los ajustes que sean necesarios.
- Fije cada ruedita con un tornillo #10-24 x 1-1/4".
- Con un destornillador manual solamente, apriete **bien** los tornillos.

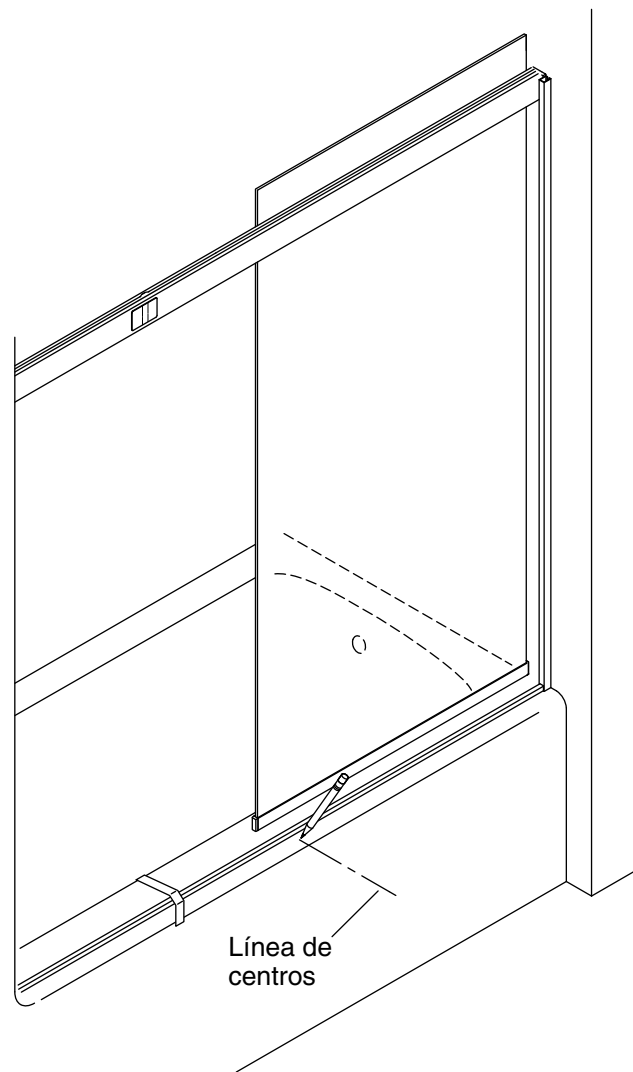


## 17. Instale el panel interior

**NOTA:** Las rueditas y la etiqueta quedan hacia el exterior de la ducha.

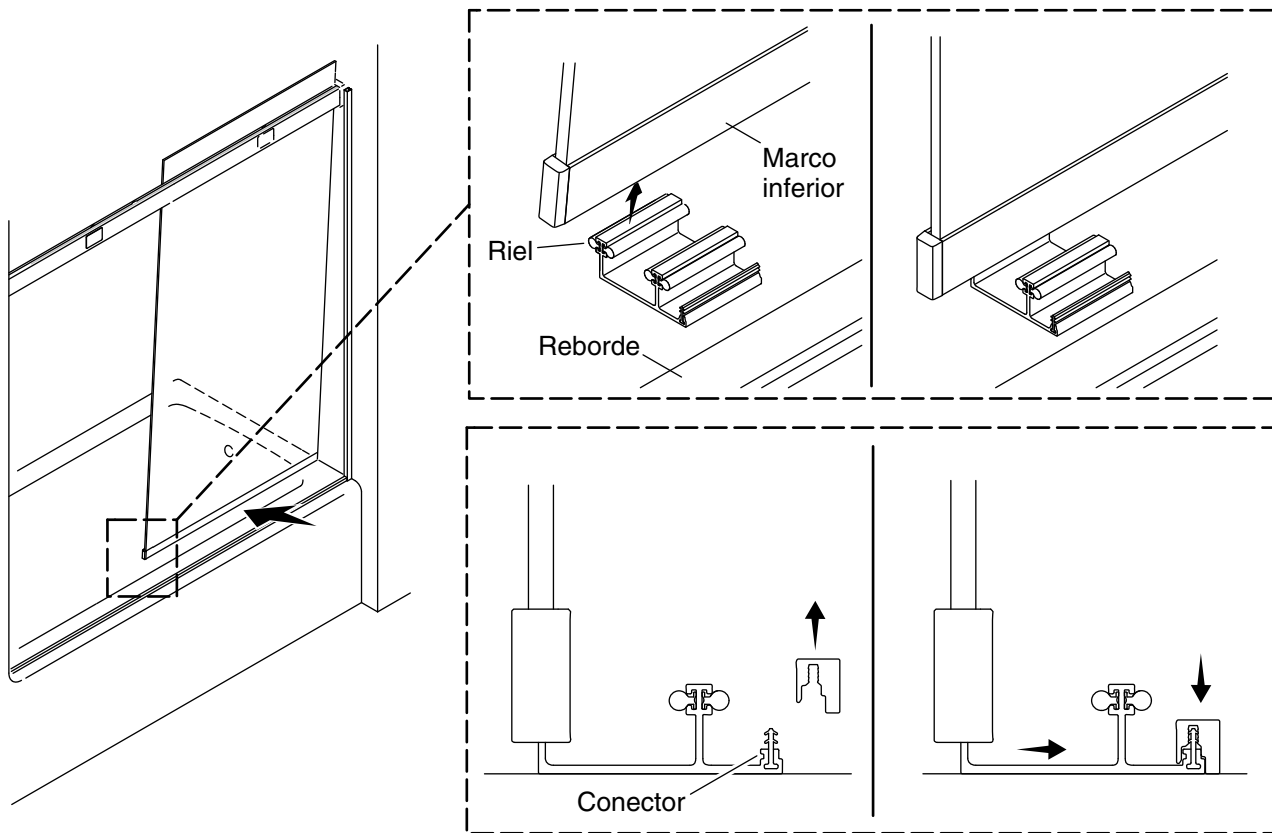
- Con ayuda, nueva el panel interior por completo hacia el área de la ducha.
- Con ayuda, desde el interior de la ducha, incline el panel a que la parte superior de las rueditas queden dentro del dintel. Deje descansar las rueditas en el carril inferior del dintel y coloque el panel en su lugar.
- Asegúrese de que el panel pueda correr en ambs direcciones sin dificultades. De ser necesario, ajuste las rueditas de acuerdo con las instrucciones en el paso 24.





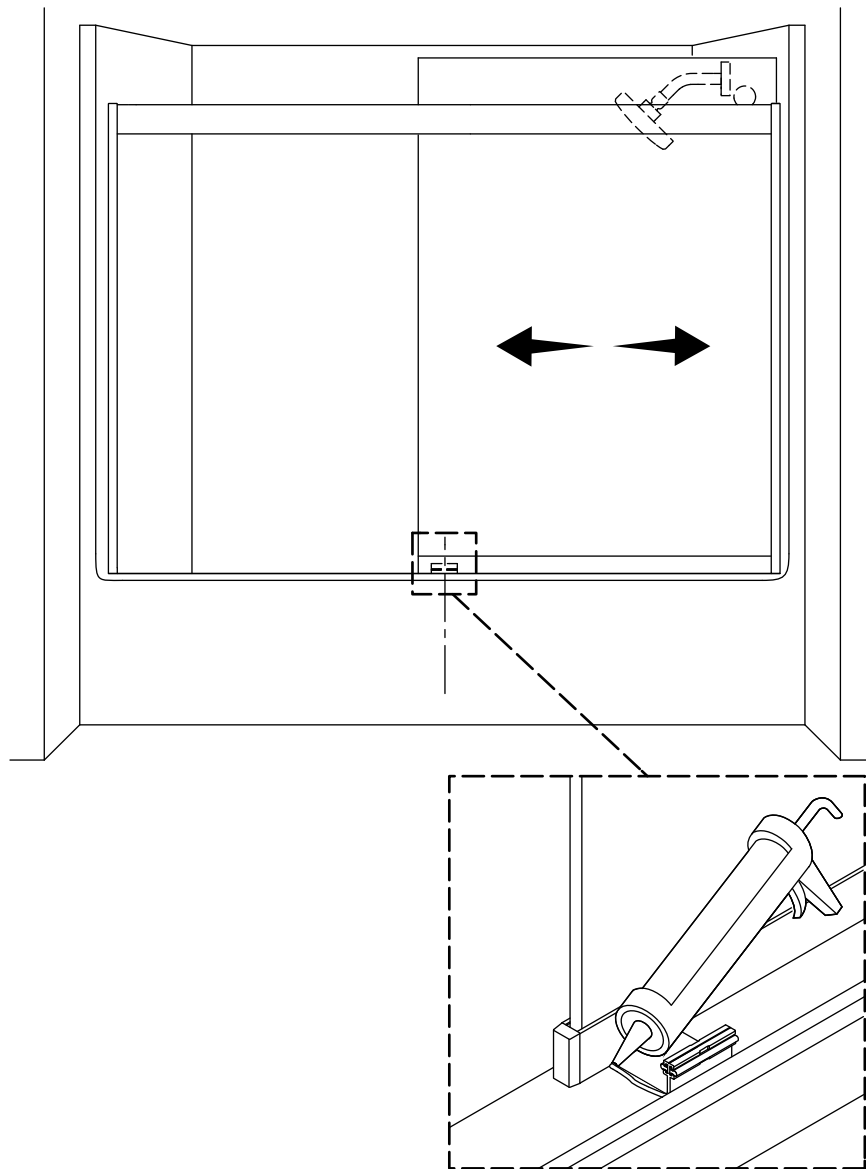
## 18. Mida y marque el centro del umbral

- Mida y marque el centro del umbral en el lado exterior de la base de la ducha/el reborde de la bañera.
- Para confirmar la marca de la línea central mida la distancia de la marca a cada pared. Si las medidas no son iguales, ajuste la marca central lo que sea necesario.
- Retire la cinta adhesiva de enmascarar que sostiene el umbral en su lugar.



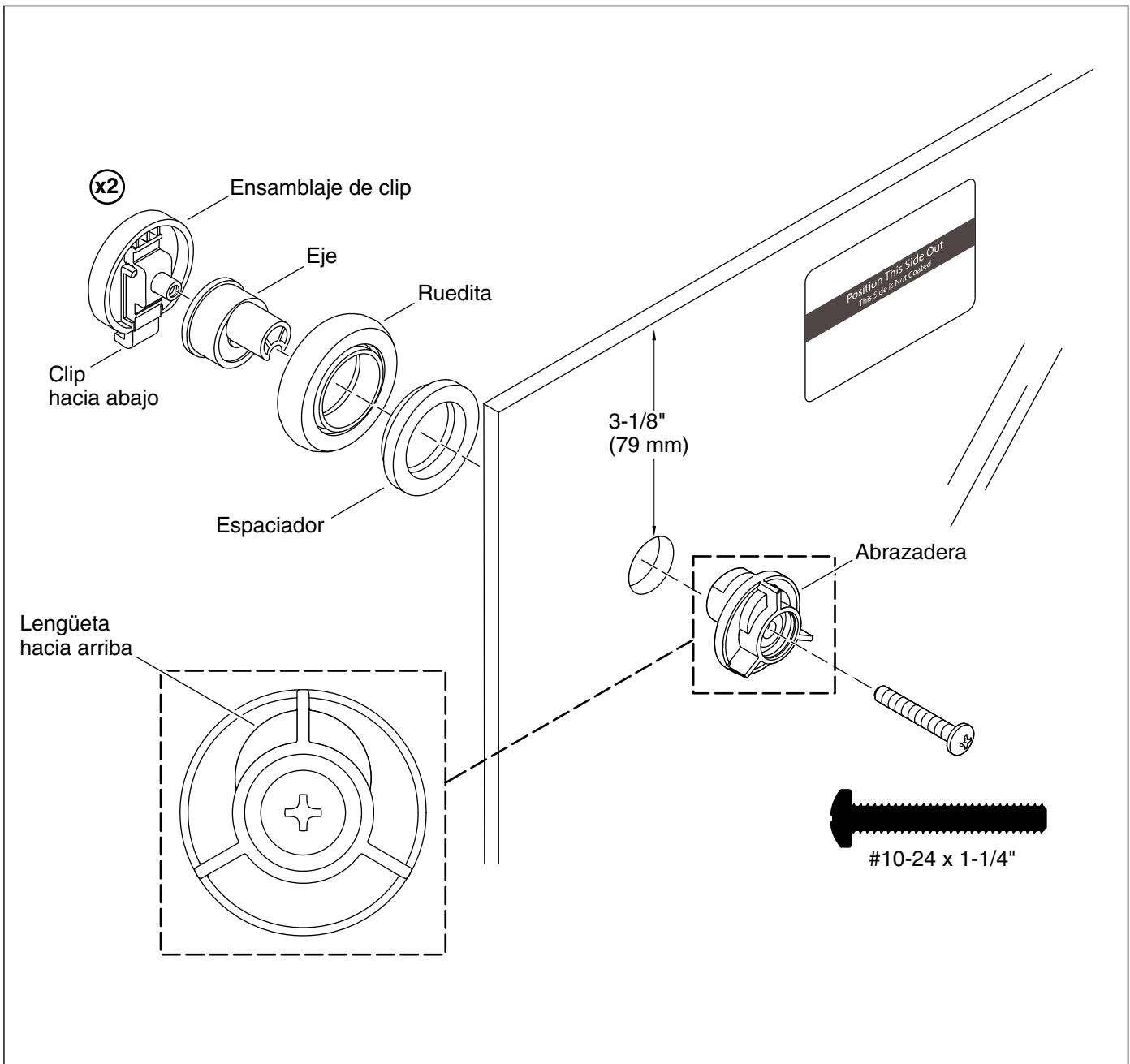
## 19. Instale la guía central

- Desde el exterior de la ducha, deslice el panel hacia un lado.
- Incline el panel aproximadamente 3" hacia dentro de la ducha.
- Introduzca el riel de la guía central en la canaleta abierta del marco inferior, como se muestra.
- Deje que el panel se columpie de nuevo hasta su posición original.
- Centre la guía central en la base de la ducha/el reborde de la bañera.
- Levante el umbral y empuje por completo hacia abajo sobre el conector de la guía central. Debe escuchar que el conector entre a presión en la ranura del umbral, y el umbral debe asentar plano en la base de la ducha/el reborde de la bañera.



## 20. Instale la guía central (cont.)

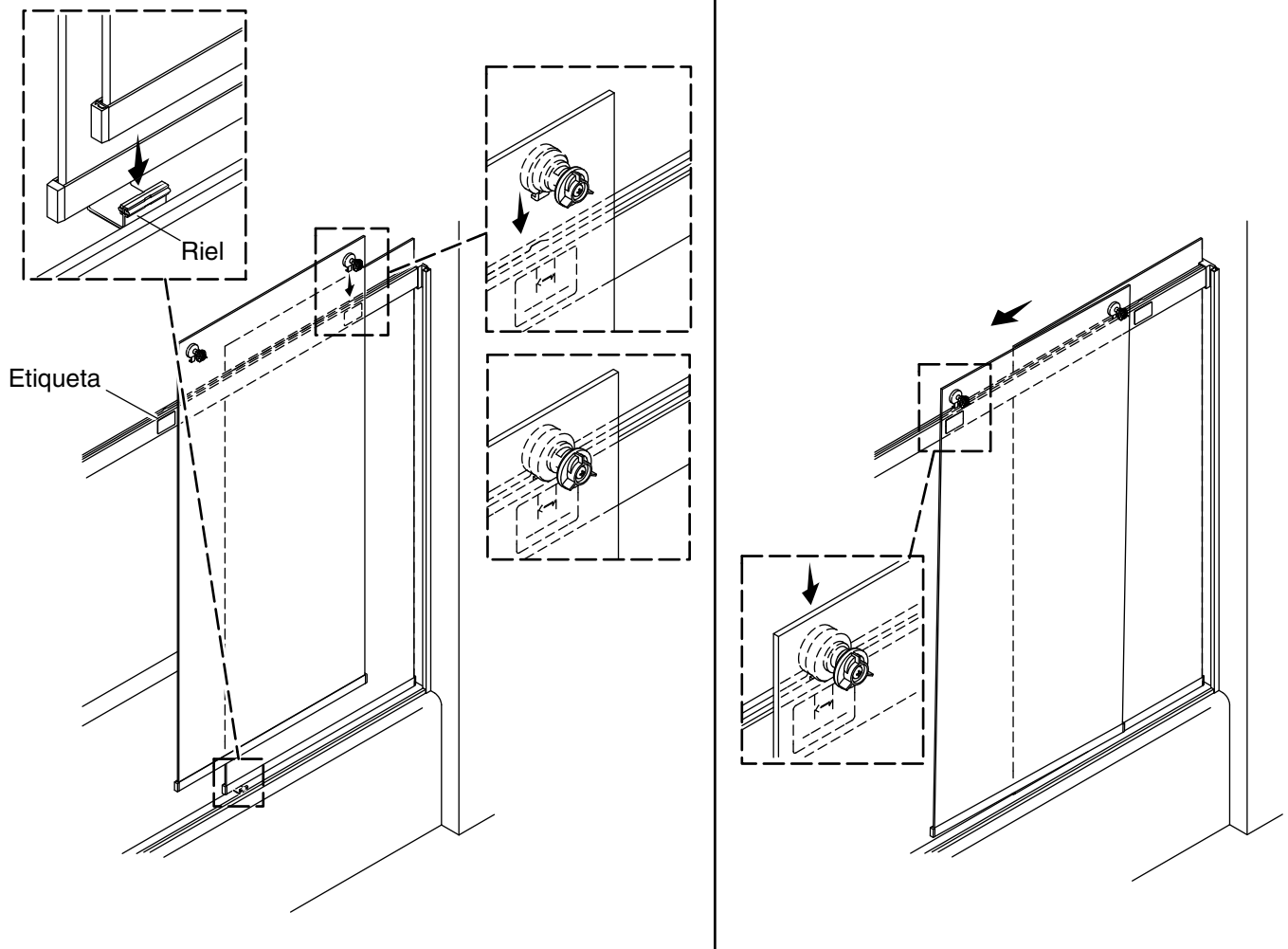
- Deslice el panel de la puerta hacia ambas paredes y asegúrese de que los topes inferiores en el panel no hagan contacto con la guía central.
- De ser necesario ajuste la posición de la guía central para evitar el contacto.
- Cuando esté bien colocada la guía central, pegue el umbral en su lugar con cinta adhesiva de enmascarar y aplique sellador 100 % de silicona alrededor de la base de la guía central.



## 21. Ensamble el panel exterior

**AVISO:** Los orificios de montaje para las rueditas del panel exterior quedan 3-1/8" (79 mm) abajo de la parte superior del panel.

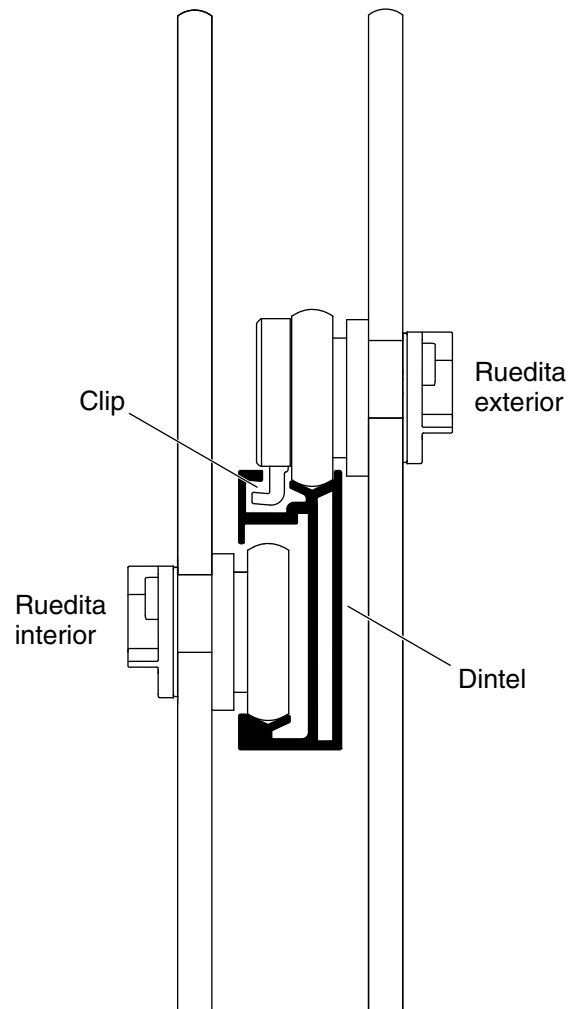
- Coloque cada una de las rueditas en lado opuesto del panel que lleva la etiqueta.
- Instale las rueditas exteriores con la lengüeta en la abrazadera apuntando hacia arriba.
- Fije cada ruedita con un tornillo #10-24 x 1-1/4".
- Sostenga el clip hacia abajo mientras aprieta el tornillo.
- Con un destornillador manual solamente, apriete **bien** los tornillos hasta que no sea posible hacer girar los clips con la mano.



## 22. Instale el panel exterior

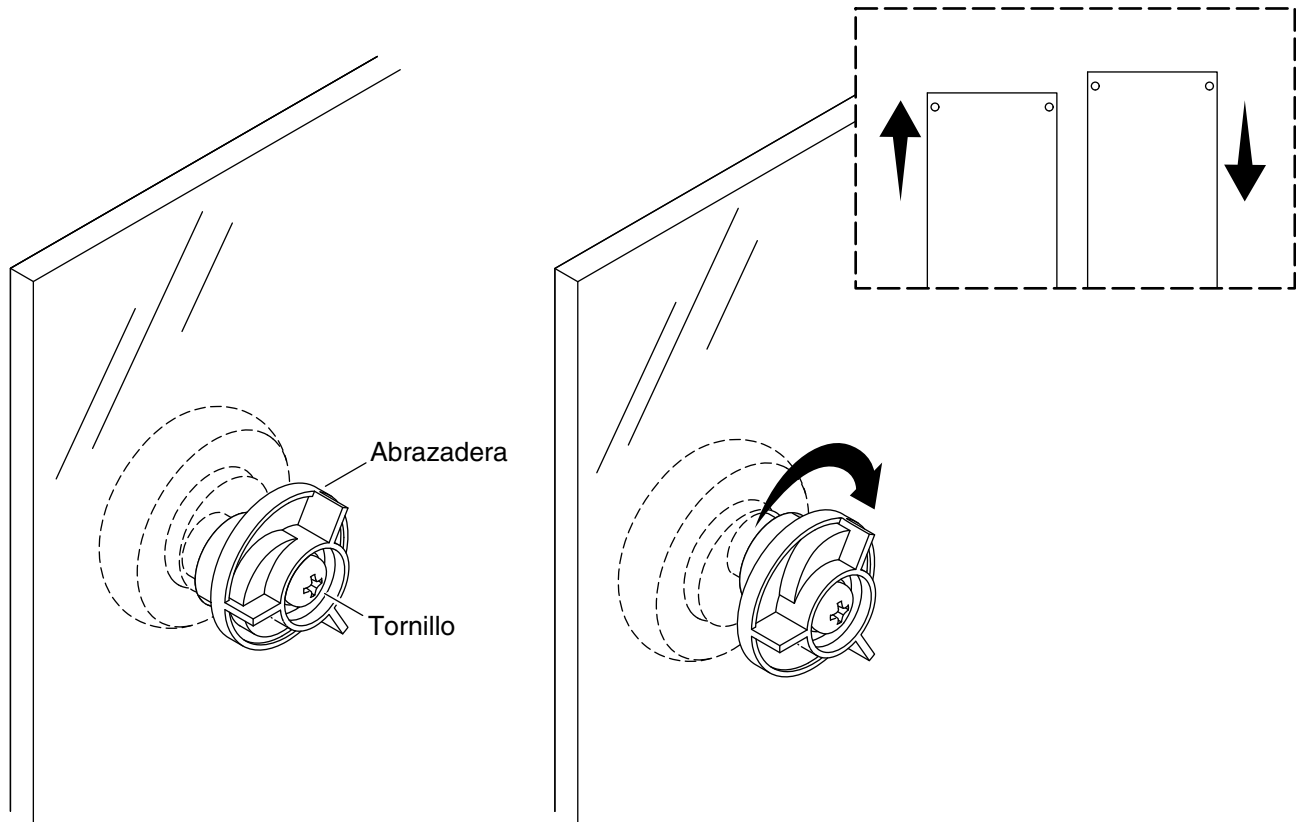
**AVISO:** Busque las muescas en el dintel, que están alineadas con las etiquetas que dicen "Panel Installation Area" (área de instalación del panel).

- Con ayuda, desde afuera de la ducha, levante el panel y coloque la canaleta abierta en el marco inferior sobre el riel de la guía central.
- Con ayuda, levante el panel, alinee un clip de ruedita con una muesca, y coloque la ruedita en el carril para rueditas.
- Levante el extremo opuesto del panel de forma que la segunda ruedita quede sobre el dintel. Deslice el panel para alinear el clip de la segunda ruedita con la segunda muesca. Coloque la ruedita en el carril para rueditas.



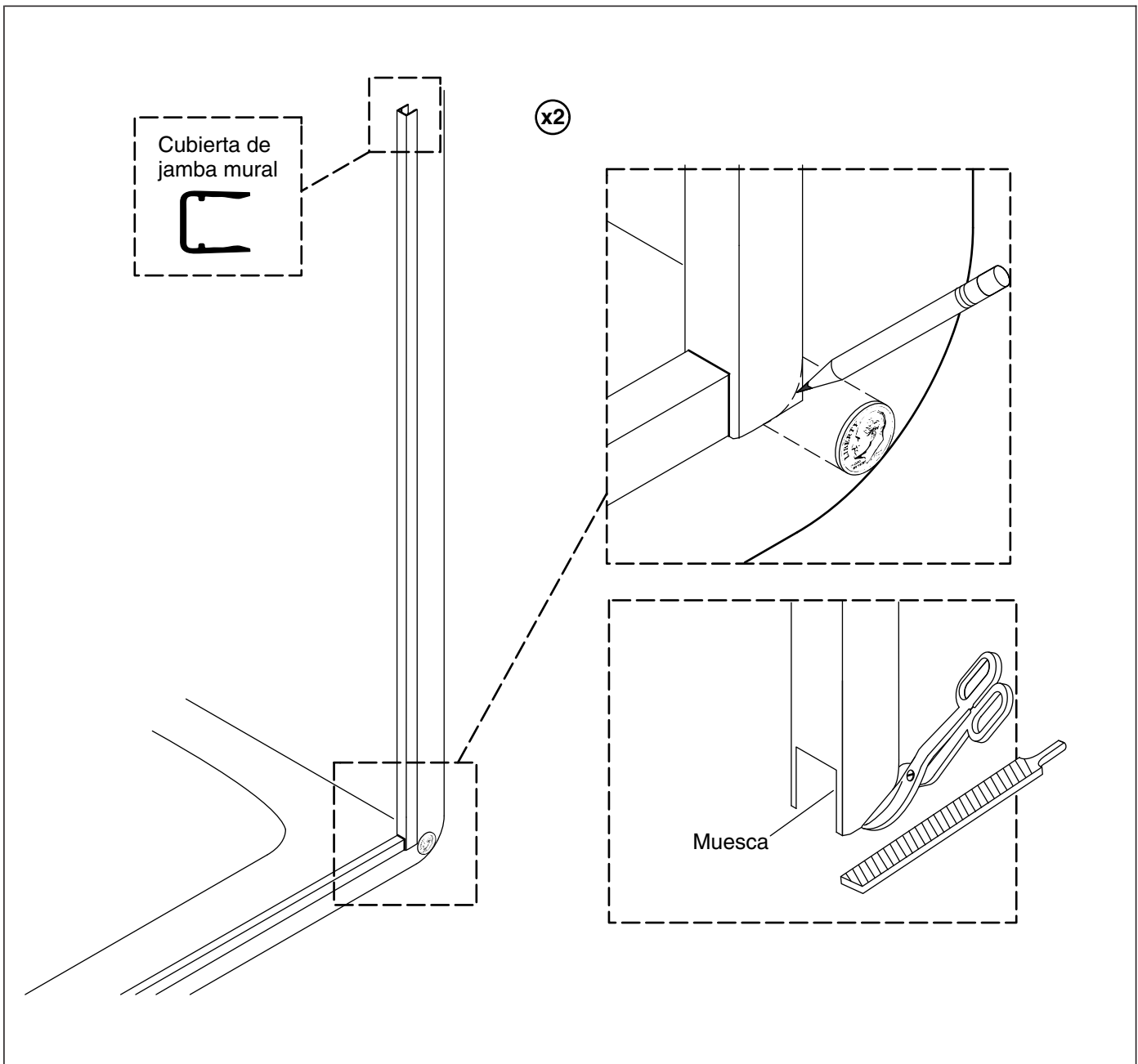
## 23. Confirme la instalación correcta de las rueditas

- Confirme que todas las rueditas estén dentro de los carriles del dintel.
- La parte superior de las rueditas interiores deben estar dentro del dintel.
- Los clips en las rueditas exteriores deben estar dentro del borde superior del dintel. No deben quedar a la vista.



## 24. Ajuste las rueditas

- Es posible que las rueditas requieran ajustes si algún panel no se mueve, si suena a que se arrastra al moverlo, o si un tope superior o inferior no hace contacto al cerrar.
- Para ajustar la alineación de cada uno de los extremos del panel afloje los tornillos y haga girar la abrazadera de ajuste.
- Al ajustar el panel exterior, sostenga la cubierta del clip recta mientras aprieta bien los tornillos de forma que el clip no se arrastre en su carril.
- Repita hasta que la puerta funcione sin problemas y quede alineada pareja con las paredes de la ducha.
- Confirme que los clips sigan orientados correctamente (consulte el paso 23). Apriete **bien** los tornillos.

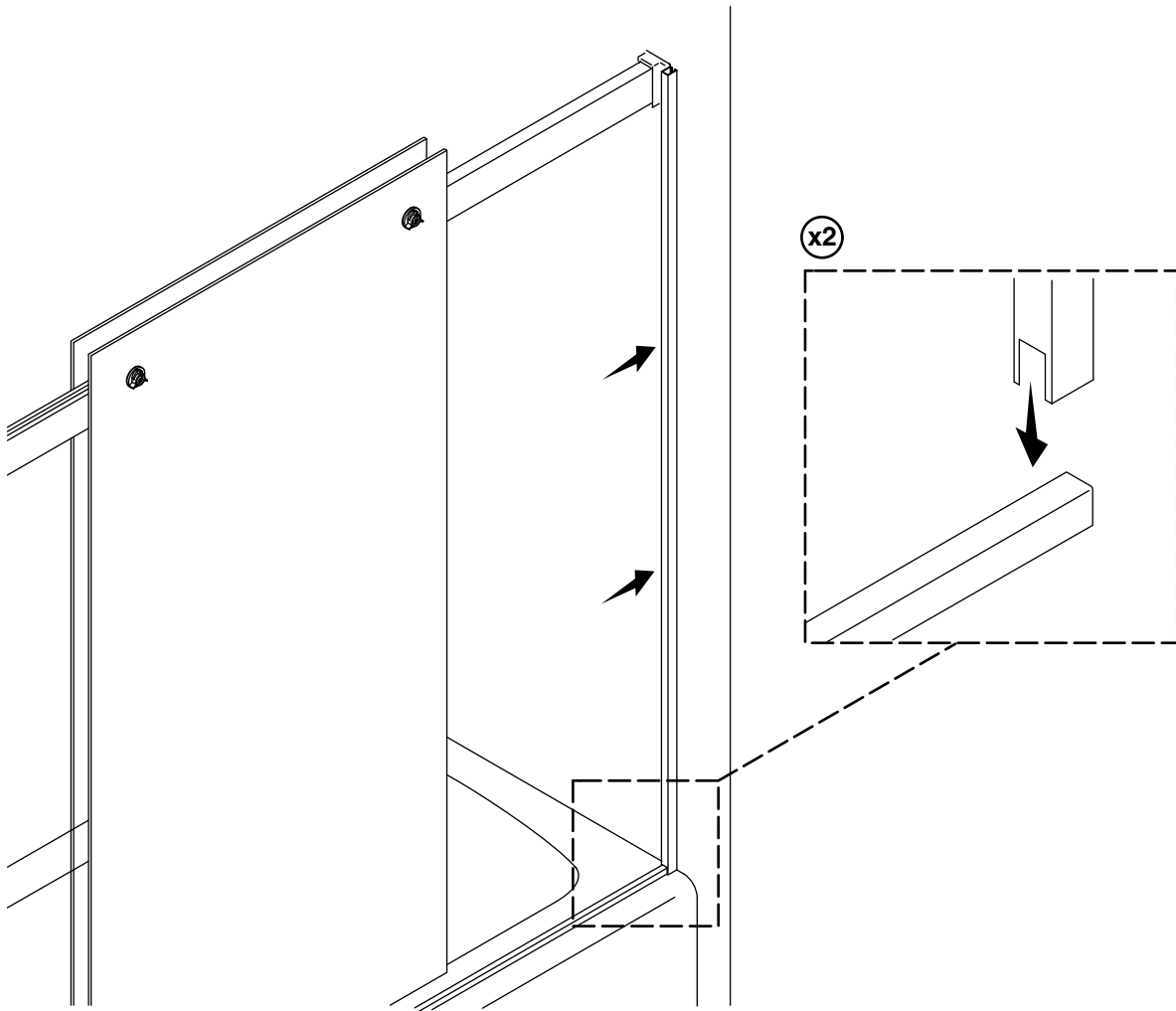


## 25. Dé forma a las cubiertas de jambas murales

**¡IMPORTANTE!** Las cubiertas de jambas murales deben quedar justas contra el reborde y planas contra la pared.

- De ser necesario, dé forma y lime la esquina inferior de la cubierta de la jamba mural para que quede igual al radio de la esquina de la pared de la ducha.
- Repita este procedimiento con la segunda cubierta de jamba mural.



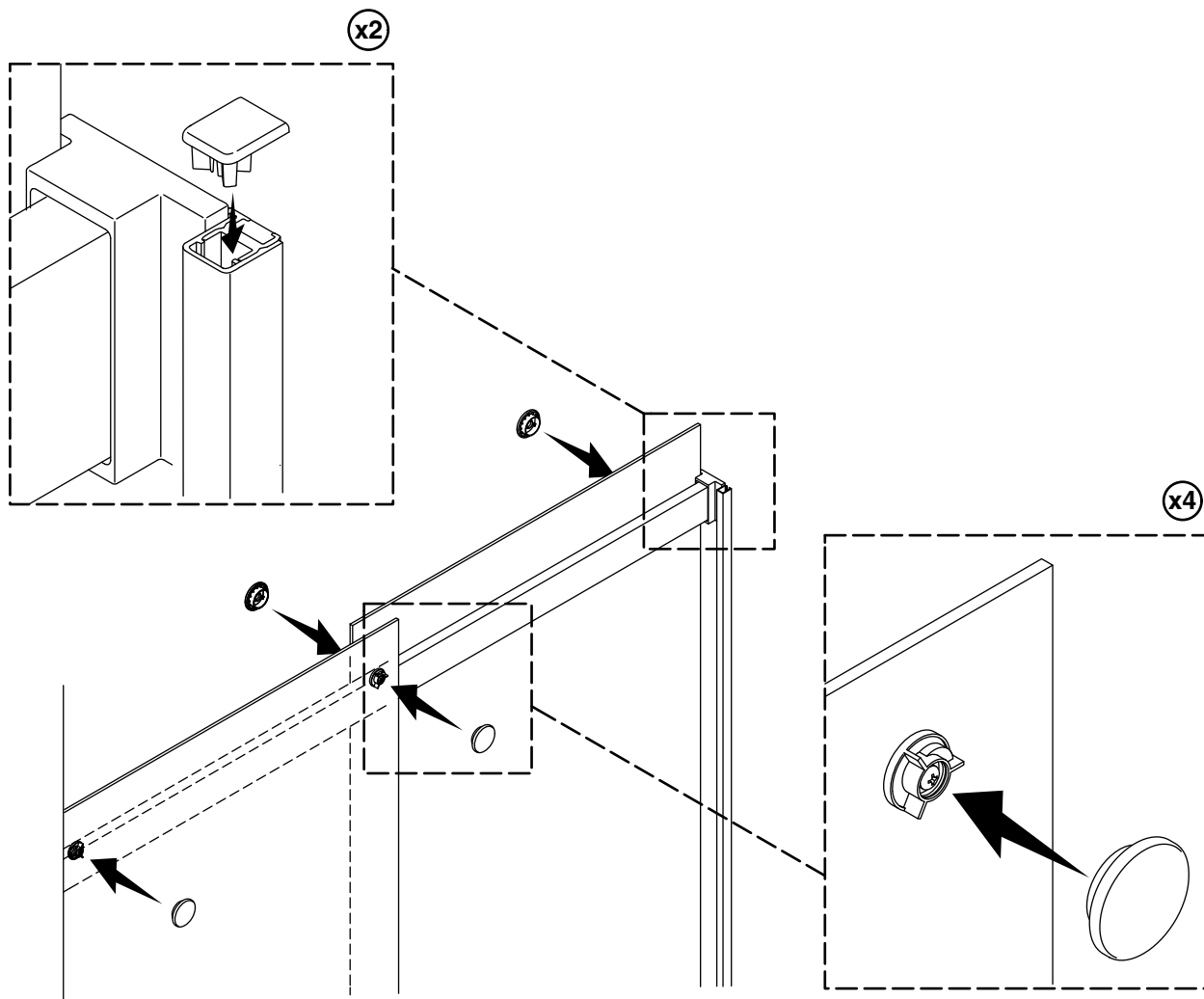


## 26. Instale las cubiertas de jambas murales

- Coloque la muesca en la cubierta de la jamba mural sobre el umbral.
- Presione la cubierta de la jamba mural contra la jamba mural.

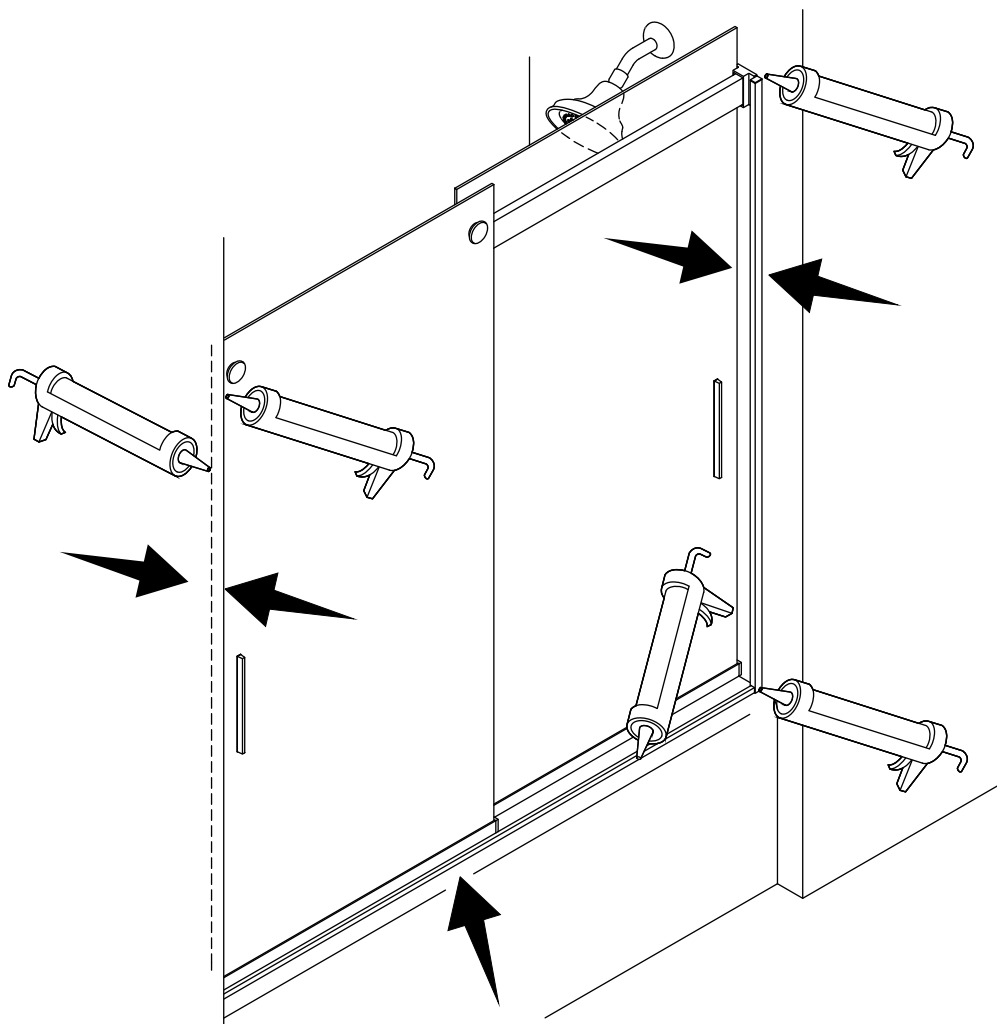
**AVISO:** Las cubiertas de las jambas murales no quedan al ras contra la pared.

- Repita este procedimiento con la segunda cubierta de jamba mural.



## 27. Instale las tapas

- Encaje una tapa en su lugar en cada una de las cuatro rueditas.
- Oprima una tapa en la parte superior de cada jamba mural.



## 28. Instale un toallero en barra/manija y aplique silicona

- Instale el toallero de barra o la manija de acuerdo a las instrucciones que se entregan por separado.
- Aplique sellador 100 % de silicona a lo largo de las jambas murales en el interior y exterior de la ducha, y a lo largo del borde exterior del umbral.

## Cuidado y limpieza

Para obtener los mejores resultados, tenga presente lo siguiente al limpiar su producto KOHLER:

- Siempre pruebe la solución de limpieza en un área oculta antes de aplicarla a toda la superficie.
- Limpie con un paño las superficies, y enjuague completa e inmediatamente con agua después de haber aplicado algún limpiador. Enjuague y seque las superficies cercanas que hayan recibido salpicaduras.
- No deje mucho tiempo los limpiadores en las superficies.

## Cuidado y limpieza (cont.)

- Utilice una esponja humedecida o un paño suave y húmedo. Para limpiar las superficies nunca utilice materiales abrasivos, como cepillos o estropajos de tallar.
- La técnica de limpieza ideal es enjuagar muy bien y secar el producto de la superficie después de cada uso.

Para obtener información detallada de limpieza y de productos a considerar, visite [www.kohler.com/clean](http://www.kohler.com/clean). Para solicitar información sobre el cuidado y la limpieza, llame al 1-800-456-4537.

## Resolución de problemas

Esta guía de resolución de problemas está diseñada únicamente como ayuda general. Si tiene preguntas con respecto al servicio o a la instalación, llame al 1-800-4-KOHLER.

### Tabla de resolución de problemas

Síntomas	Causa probable	Acción recomendada
1. La puerta hace ruido cuando se abre o se cierra.	<p>A. El clip de alguna ruedita exterior no está apuntando directo hacia abajo y está raspando el dintel.</p> <p>B. alguna ruedita exterior no está apretada, lo que ocasiona que su clip raspe contra el dintel.</p> <p>C. Los paneles de puerta están demasiado bajos, lo que ocasiona que raspen contra la base de la guía central o contra la base de la ducha/el reborde de la bañera.</p> <p>D. Las rueditas se han desgastado y hacen ruido.</p>	<p>A. Afloje el tornillo de la ruedita exterior, gire el clip de forma que apunte directamente hacia abajo y entre en el dintel, y apriete bien el tornillo.</p> <p>B. Apriete los tornillos de las rueditas exteriores, y asegúrese de que todos los clips estén apuntando directamente hacia abajo.</p> <p>C. Ajuste las rueditas para elevar los paneles de puerta de forma que dejen de raspar. Consulte el paso 24.</p> <p>D. Cambie las rueditas.</p>
2. Es difícil mover la puerta o no abre.	<p>A. El clip de alguna ruedita no está apuntando directo hacia abajo y está raspando contra el dintel.</p> <p>B. Los paneles de puerta están demasiado bajos, lo que ocasiona que raspen contra la base de la guía central o contra la base de la ducha/el reborde de la bañera.</p>	<p>A. Afloje el tornillo de la ruedita, gire el clip de forma que apunte directamente hacia abajo y entre en el dintel, y apriete bien el tornillo.</p> <p>B. Ajuste las rueditas para elevar los paneles de puerta de forma que dejen de raspar.</p>
3. Los paneles de puerta están sueltos y se columpian hacia dentro y hacia fuera de la ducha.	<p>A. La guía central no está instalada.</p> <p>B. La guía central no está instalada en el lugar correcto.</p> <p>C. Los paneles de puerta no están bien instalados en la guía central.</p> <p>D. La puerta es del tamaño incorrecto para la abertura para la ducha.</p>	<p>A. Instale la guía central de acuerdo con las instrucciones.</p> <p>B. Instale la guía central en el centro de la base de la ducha/del reborde de la bañera.</p> <p>C. Los rieles de la guía central deben estar en el interior de los marcos inferiores de los paneles de puerta.</p> <p>D. Obtenga el producto correcto para su abertura para la ducha.</p>
4. La guía central está suelta.	<p>A. El umbral no está bien instalado sobre la guía central.</p>	<p>A. Oprima el umbral con firmeza hacia abajo en el conector de la guía central hasta que las dos piezas encajen a presión.</p>

## Resolución de problemas (cont.)

### Tabla de resolución de problemas

Síntomas	Causa probable	Acción recomendada
	<p><b>B.</b> La guía central no está bien instalada en la base de la ducha/el reborde de la bañera.</p> <p><b>C.</b> La guía central no está instalada en el lugar correcto.</p> <p><b>D.</b> Los paneles de puerta están demasiado bajos, lo que ocasiona que raspen contra la base de la guía central o contra la base de la ducha/el reborde de la bañera.</p>	<p><b>B.</b> Aplique sellador 100 % de silicona alrededor de toda la guía central. Esto se hace más fácilmente si se retira el panel exterior.</p> <p><b>C.</b> Instale la guía central en el centro de la base de la ducha/del reborde de la bañera.</p> <p><b>D.</b> Ajuste las rueditas para elevar los paneles de puerta de forma que dejen de raspar. Consulte el paso 24.</p>
5. Se fuga el agua.	<p><b>A.</b> Se fuga agua por debajo del umbral.</p> <p><b>B.</b> Se fuga agua por debajo de un panel de puerta.</p> <p><b>C.</b> Se fuga agua por debajo de un panel de puerta.</p> <p><b>D.</b> Se fuga agua entre los paneles de puerta.</p> <p><b>E.</b> Se fuga agua entre un panel de puerta y una jamba mural.</p> <p><b>F.</b> Se fuga agua entre un panel de puerta y una jamba mural.</p> <p><b>G.</b> Se fuga agua detrás de una jamba mural.</p>	<p><b>A.</b> Aplique sellador 100 % de silicona al borde exterior del umbral. Siga las instrucciones del fabricante del sellador de silicona antes de usar la ducha.</p> <p><b>B.</b> Ajuste las rueditas de forma que la parte inferior de los paneles de puerta queden más cerca de la base de la ducha/el reborde de la bañera. Consulte el paso 24.</p> <p><b>C.</b> Retire las cubiertas de las jambas murales y asegúrese de que las tablillas de sujeción estén bien instaladas. Si hay espacio entre alguna jamba mural y una tablilla de sujeción, es posible que los paneles de puerta hayan quedado instalados demasiado altos.</p> <p><b>D.</b> Al tomar una ducha, asegúrese de que el panel interior quede más cerca a la cabeza de ducha.</p> <p><b>E.</b> Ajuste las rueditas de tal forma que los topes hagan contacto al parejo con la pared y con el panel de puerta. Consulte el paso 24.</p> <p><b>F.</b> Haga un pedido del kit de sello opcional, e instálelo.</p> <p><b>G.</b> Aplique sellador 100 % de silicona a los bordes exterior e interior de la jamba mural. Siga las instrucciones del fabricante del sellador de silicona antes de usar la ducha.</p>
6. La manija no está bien instalada.	<p><b>A.</b> El panel de puerta no se limpió bien antes de instalar la manija, o la manija no se oprimió con firmeza durante la instalación.</p>	<p><b>A.</b> Limpie el panel de la puerta e instale una nueva manija.</p>

## Garantía

### GARANTÍA LIMITADA DE UN AÑO

Se garantizan los productos de plomería KOHLER contra defectos de material y mano de obra durante un año a partir de la fecha de instalación.

## **Garantía (cont.)**

Kohler Co., a su criterio, reparará, reemplazará o realizará los ajustes pertinentes en los casos en que la inspección realizada por Kohler Co. determine que dichos defectos hayan ocurrido durante el uso normal en el transcurso de un (1) año a partir de la fecha de instalación. Kohler Co. no se hace responsable de costos de desinstalación o de instalación. **El uso de limpiadores de inodoro que se colocan dentro del tanque anula la garantía.**

Para obtener el servicio de garantía, comuníquese con Kohler Co. a través de su distribuidor, contratista de plomería, centro de remodelación o distribuidor por Internet, o escriba a Kohler Co., Atención: Customer Care Center, 444 Highland Drive, Kohler, WI 53044, EE.UU., o llame al 1-800-4-KOHLER (1-800-456-4537) desde los EE.UU. y Canadá, o al 001-800-456-4537 desde México, o visite [www.kohler.com](http://www.kohler.com) desde los EE.UU., [www.ca.kohler.com](http://www.ca.kohler.com) desde Canadá, o [www.mx.kohler.com](http://www.mx.kohler.com) en México.

**TODA GARANTÍA IMPLÍCITA, INCLUIDA LA DE COMERCIALIZACIÓN E IDONEIDAD DEL PRODUCTO PARA UN USO DETERMINADO, SE LIMITA EXPRESAMENTE A LA DURACIÓN DE ESTA GARANTÍA. KOHLER CO. Y/O EL VENDEDOR DESCARGAN TODA RESPONSABILIDAD POR CONCEPTO DE DAÑOS PARTICULARES, INCIDENTALES O INDIRECTOS.** Algunos estados/provincias no permiten limitaciones en cuanto a la duración de una garantía implícita o a la exclusión o limitación de daños particulares, incidentales o indirectos, por lo que es posible que estas limitaciones y exclusiones no se apliquen a su caso. Esta garantía le otorga ciertos derechos legales específicos. Además, usted también puede tener otros derechos que varían de estado a estado y de provincia a provincia.

**Esta es la garantía exclusiva por escrito de Kohler Co.**



USA/Canada: 1-800-4KOHLER

México: 001-800-456-4537

[kohler.com](http://kohler.com)

THE BOLD LOOK  
OF **KOHLER**®

©2016 Kohler Co.

1279162-2-A