



Verse™ | K-75791-1

33" top-/undermount double-bowl kitchen sink

Features

- 36" minimum base cabinet width
- Large/medium bowls
- 9" (229 mm) depth provides generous workspace
- Single faucet hole
- Includes installation hardware



Sustainability



Available Colors/Finishes

Color tiles intended for reference only.

 NA Stainless Steel



1-800-4KOHLER (1-800-456-4537)
Kohler Co. reserves the right to make revisions without notice to product specifications.
For the most current specification sheet, go to www.kohler.com USA or www.kohler.ca Canada.
4-22-2026 11:4 - US-CA

THE BOLD LOOK
OF **KOHLER**®

Codes/Standards

ASME A112.19.3/CSA B45.4

Technical Information

All product dimensions are nominal.

Number of Deck Holes:	1
Faucet Hole(s) Size:	1-7/16" (37 mm)
Drain Hole Diameter:	3-3/4" (94 mm)
Minimum Base Cabinet Width:	36" (914 mm)
Basin Configuration:	Large Bowl on Left
Left Basin Length:	14-3/16" (360 mm)
Left Basin Width:	15-11/16" (398 mm)
Left Basin Depth:	9" (229 mm)
Right Basin Length:	14-3/16" (360 mm)
Right Basin Width:	15-11/16" (399 mm)
Right Basin Depth:	9" (229 mm)

Material

- Premium 18-gauge stainless steel

Recommended Products/Accessories

K-3129 Stainless steel sink rack, 12-1/4" x 13-3/4" for Undertone® and Verse™ kitchen sinks

K-23726 Drain treatment

K-23729 Stainless steel cleaner

K-3132 Stainless steel sink rack, 12-1/4" x 16-1/2" for Undertone® and Verse™ kitchen sinks

K-8801 Sink drain and strainer with tailpiece

K-8799 Sink drain and strainer basket, less tailpiece

K-11352 Disposal flange with stopper

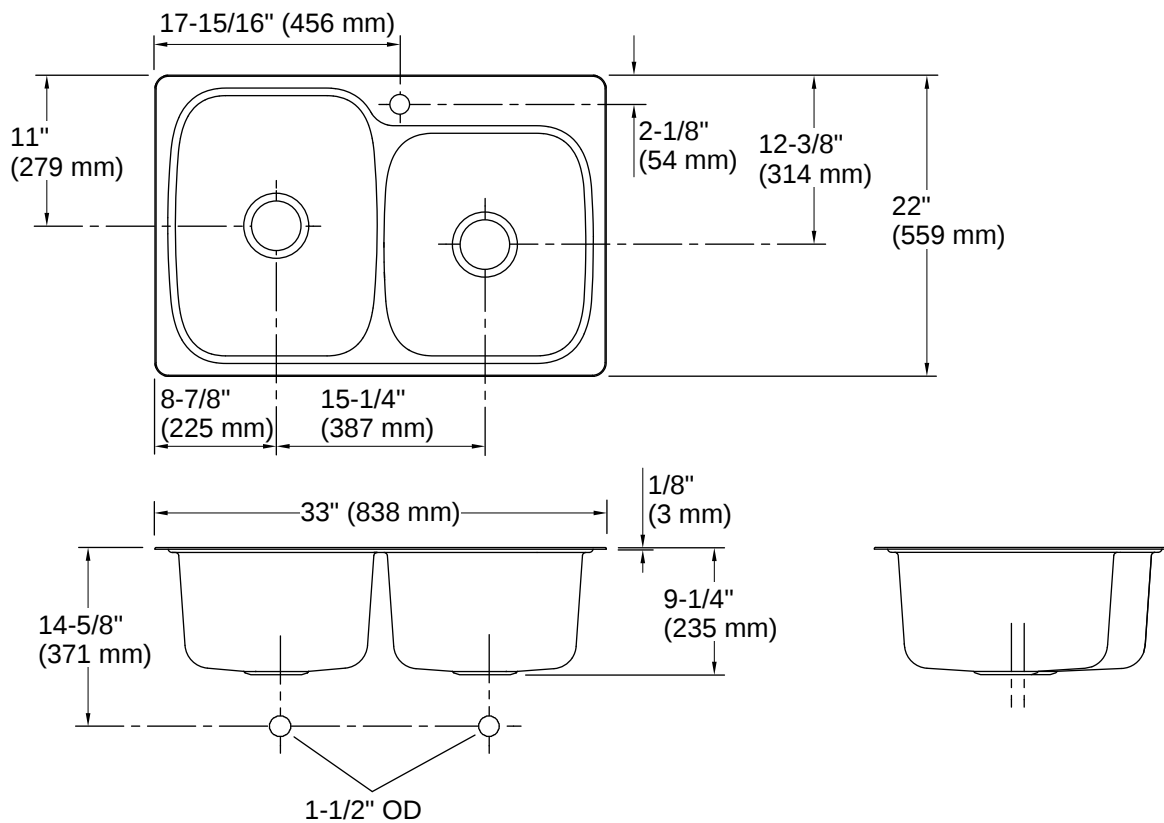
Warranty

See website for detailed warranty information.

KOHLER® Stainless Steel Sinks Lifetime Limited Warranty



1-800-4KOHLER (1-800-456-4537)
Kohler Co. reserves the right to make revisions without notice to product specifications.
For the most current specification sheet, go to www.kohler.com USA or www.kohler.ca Canada.
4-22-2026 11:4 - US-CA



Installation

- Top-mount or undermount

Installation Notes

Install this product according to the installation instructions.

