

Features

- Vertically adjustable flat mirror on inside of door
- Slow-close door prevents slamming
- Two-way adjustable hinges with 1110-degree opening capability for easy cabinet access.
- Triple mirrored design; mirror on front and back of door and interior back of cabinet
- Three-door cabinet
- Requires K-99012 side mirror kit (sold separately) for surface mount installation.

Material

- Anodized aluminum construction with a durable rust-free and chip-free finish.
- Full-overlay mirrored door

Installation

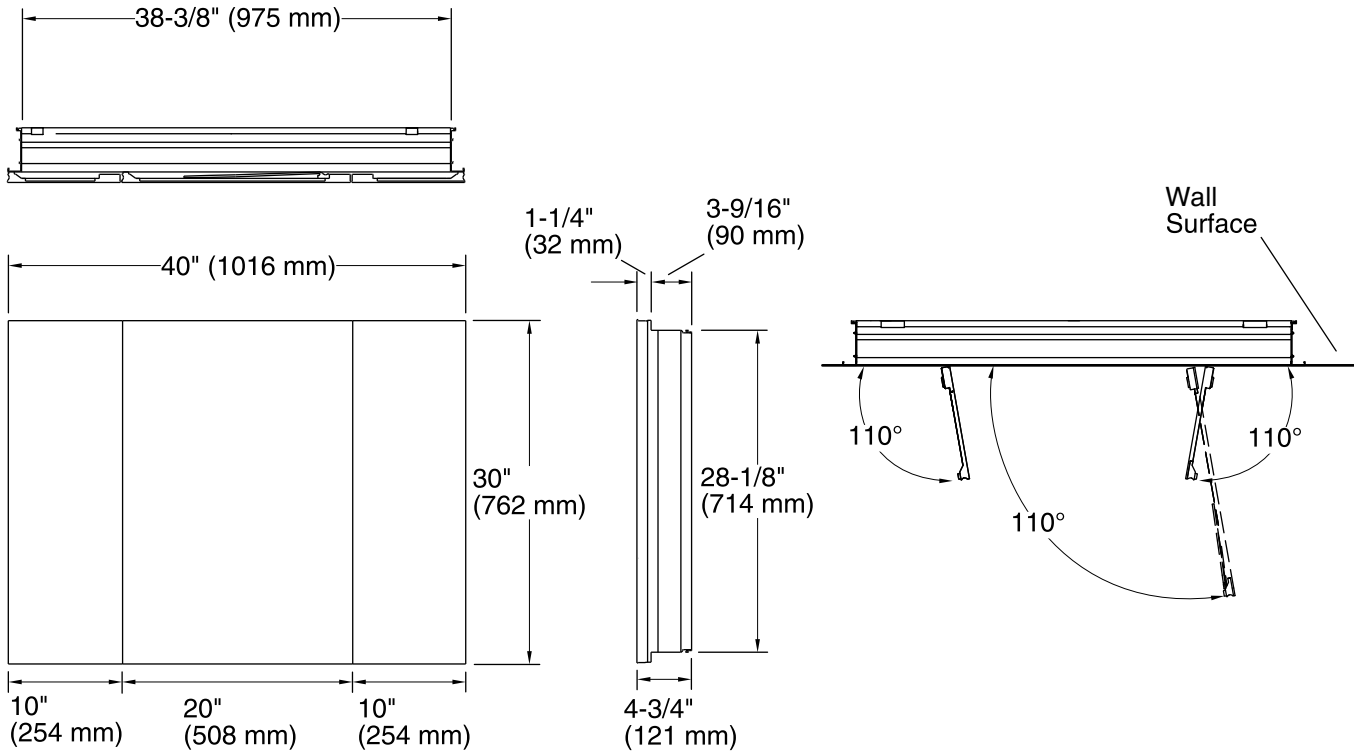
- Nine adjustable glass shelves
- Can be installed with left- or right-hand swing.
- Includes mounting hardware for surface or recessed installation
- For surface-mount or recess-mount installation



Codes/Standards

None Applicable

See website for detailed warranty information.



Technical Information

All product dimensions are nominal.

Notes

Install this product according to the installation guide.

To recess mount, the wall cavity must be framed and the cabinet secured to framing studs. Reroute electrical or water supply lines from the cavity. Consult a professional if drain or vent piping is encountered, or if the wall is load-bearing.

To determine the height of the cabinet, ensure the door will clear all obstacles (such as a faucet). A minimum 3" (76 mm) distance is required.

Cutout for recess-mount installation: 38-1/2" (978 mm) wide x 28-1/4" (718 mm) high x 3-11/16" (94 mm) deep.