

# Installation and Care Guide

## Lighted Mirrored Cabinet

K-99003-TL, K-99007-TL, K-99009-TL  
K-99011-TL

Français, page "Français-1"  
Español, página "Español-1"

THE BOLD LOOK  
OF **KOHLER**®

1267931-2-F

# SAFETY INSTRUCTIONS

## Read all instructions before using or installing this product.



**WARNING:** When using electrical products, basic precautions should always be followed, including the following:



**WARNING: Risk of electric shock.** Grounding is required for the outlets within the power box. Connect only to a circuit protected by a Class A Ground-Fault Circuit-Interrupter (GFCI)\* which protects against line-to-ground shock hazard. Use 120 V, 15 A service.



**WARNING: Risk of electric shock.** A qualified electrician must route all electrical wiring for the product. Improper installation will create an electrical hazard and may not comply with local building and electrical codes.



**WARNING: Risk of electric shock.** Turn the electricity off at the circuit breaker or fuse box before moving, testing, cleaning, or repairing this product. When unplugged, the electric supply will no longer be electrically live, which will eliminate the risk of electric shock.



**CAUTION: Risk of electric shock.** Risk of electric shock. Electrical wiring may need to be relocated.

**NOTICE:** Follow all local building, electrical, and plumbing codes.

**IMPORTANT!** A dimmer switch is required. This product is compatible with most residential dimmers intended for incandescent and dimmable LED bulbs. For optimal dimming performance, a programmable digital fade dimmer intended for LED lighting with a minimum rating of 150 W is recommended.

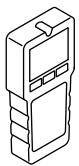
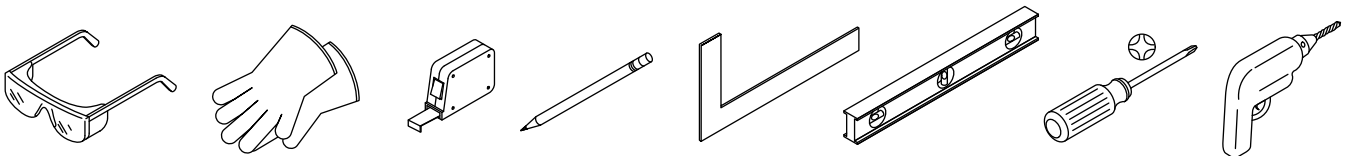
\*Outside North America, this device may be known as a Residual Current Device (RCD).

## Specifications

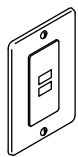
### Electrical Service

Power Box	120 V, 60 Hz, 15 A Max
Light	120 V, 60 Hz, 0.8 A

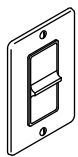
## Tools and Materials



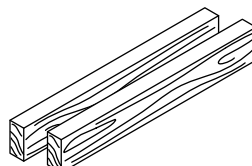
Stud Finder



GFCI/RCD Receptacle



Dimmer Switch



2x4 Lumber (Recess-Mount Only)

### Plus:

- Wire Cutter/Stripper
- Assorted Drill Bits
- Framing and Drywall Tools
- Framing and Drywall Fasteners

## Before You Begin



**CAUTION: Risk of personal injury.** Mirrored cabinets are very heavy. Get assistance lifting the cabinet.



**CAUTION: Risk of electric shock.** For surface-mount installation, side mirror kit K-99012 or wood kit K-99675 is required to enclose exposed electrical wiring.

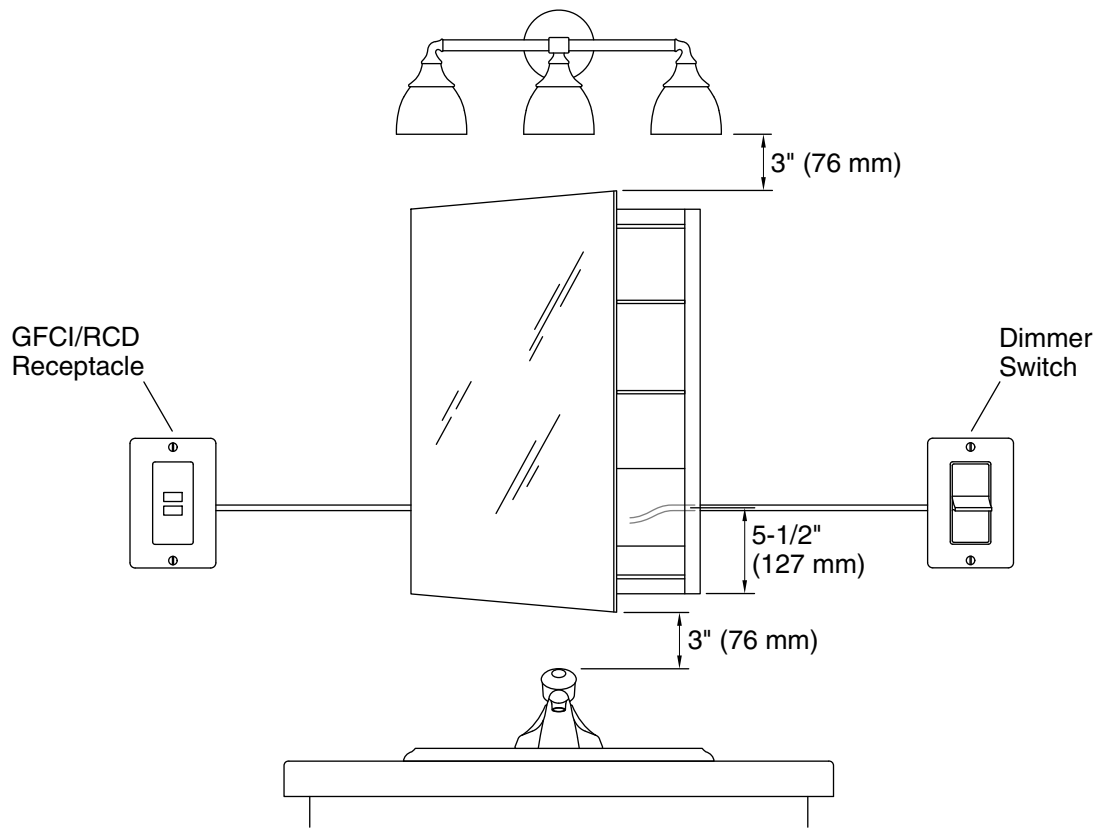
**NOTICE: Risk of product or property damage.** The location of the cabinet is critical. Make sure the door will clear all obstacles (such as a faucet or light fixture), and obstacles behind the finished wall will not be damaged during the cutting and/or drilling process.

**IMPORTANT!** Reroute any electrical wires or water supply piping from the wall cavity. If you encounter drain or vent piping or if your wall is load-bearing, consult a professional before proceeding.

**IMPORTANT!** The cabinet is designed for either right or left door swing (except K-99011-TL).

**NOTE: Recessed-Mount Installation:** The wall cavity must be framed. The cabinet must be secured to the framing studs.

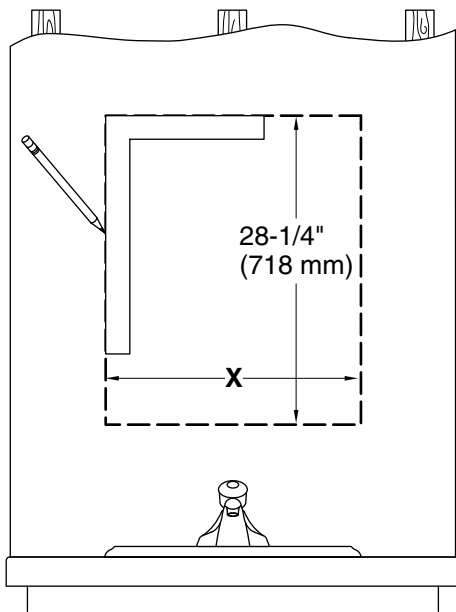
- Observe all local building codes.
- This mirrored cabinet is for recessed- or surface-mount installations. Follow the instructions that apply to your chosen installation.
- The appearance of your mirrored cabinet may differ from the mirrored cabinet illustrated. The installation instructions still apply.
- This installation is easiest when performed by two people.
- When determining the height of the product, verify the door(s) will clear all obstacles (such as a faucet or light fixture). A minimum distance of 3" (76 mm) is required.



## Roughing-In Information

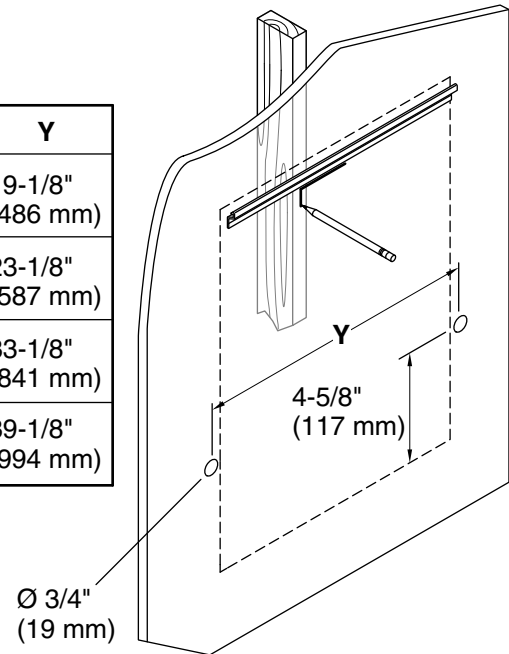
- When determining the height of the product, verify the door will clear all obstacles (such as a faucet or light fixture). A minimum distance of 3" (76 mm) is required.
- Plan for the location of the dimmer switch and the GFCI/RCD receptacle. The electrical wires should enter the cabinet 5-1/2" (127 mm) from the bottom of the cabinet.

### Recess-Mount Installation



	X	Y
<b>K-99003</b>	19-1/2" (495 mm)	19-1/8" (486 mm)
<b>K-99007</b>	23-1/2" (597 mm)	23-1/8" (587 mm)
<b>K-99009</b>	33-1/2" (851 mm)	33-1/8" (841 mm)
<b>K-99011</b>	39-1/2" (1003 mm)	39-1/8" (994 mm)

### Surface-Mount Installation



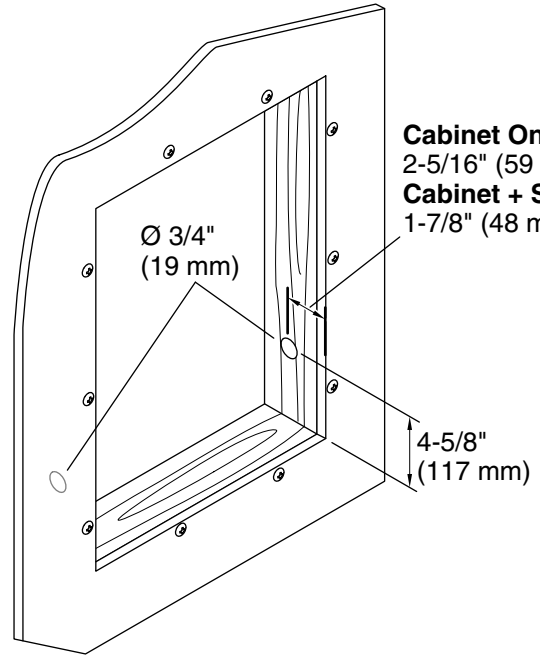
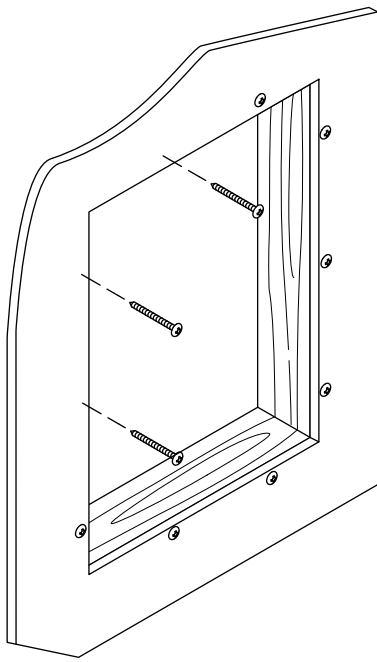
## 1. Preparation

### Recess-Mount Installation

- Measure and mark the cutout according to your model.

### Surface-Mount Installation

- Mark the mounting bar position and stud locations.
- Determine the locations for the electrical wire holes according to the dimensions shown above for your product.



## 2. Recess-Mount – Construct the Framing

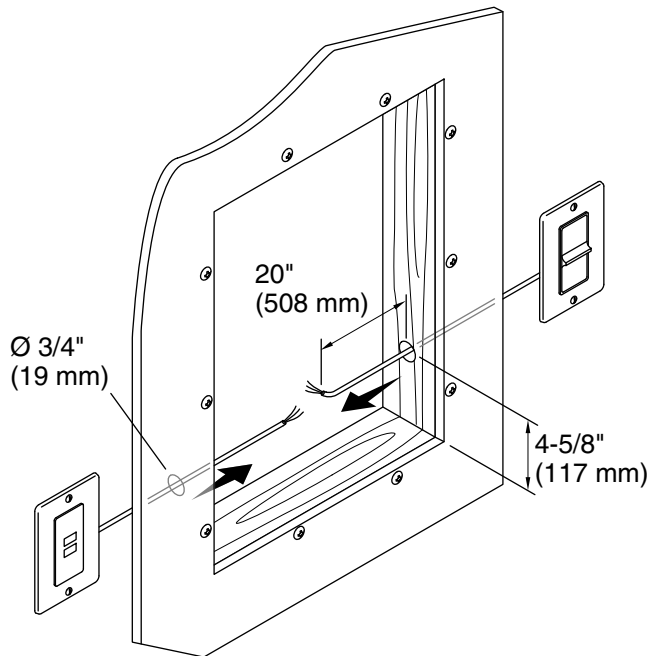
**NOTE:** The following instructions are for recess-mount only. For surface-mount installation, refer to the "Surface-Mount" sections.

- Using a jigsaw or keyhole saw, carefully remove the finished wall material from the marked cutout.
- Frame out the wall cavity. If needed, install a header.

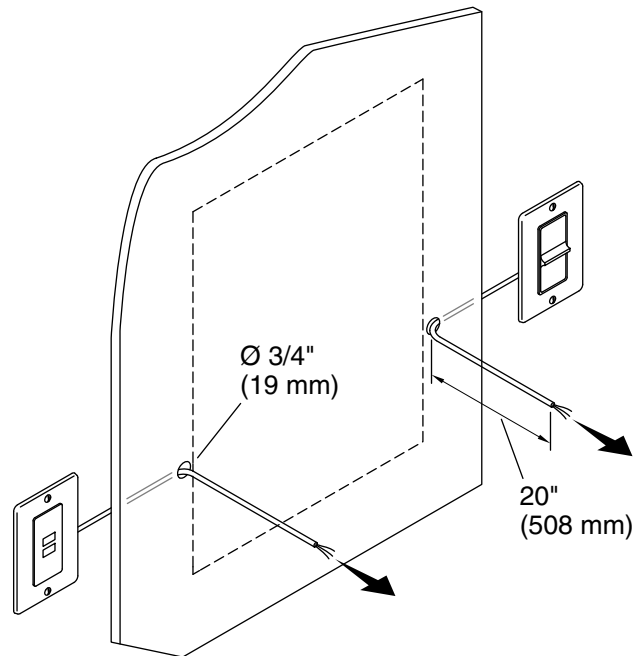
**IMPORTANT!** Hole location in the framing is critical for electrical wire alignment with the cabinet. If you plan to install an optional decorative surround, use the dimension specified for the cabinet plus surround.

- **For cabinet only installation:** Mark the center of the hole 4-5/8" (117 mm) from the bottom of the cavity, and 2-5/16" (59 mm) from the finished wall.
- **For cabinet plus surround:** Mark the center of the hole 4-5/8" (117 mm) from the bottom of the cavity, and 1-7/8" (48 mm) from the finished wall.
- Drill a 3/4" (19 mm) hole into each side of the framed cavity at the marked locations.

### Recess-Mount Installation



### Surface-Mount Installation



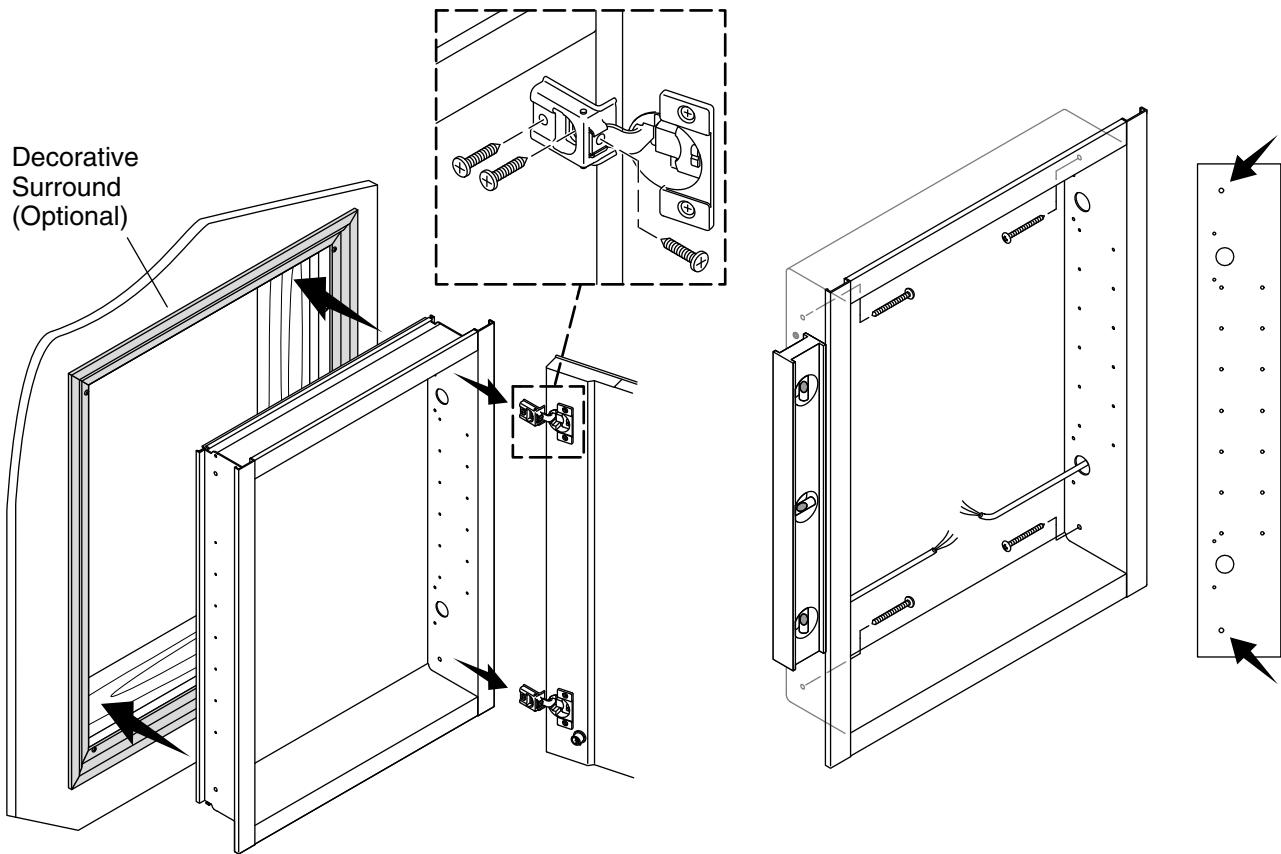
## 3. Route the Wiring

### Recess-Mount Installation

- Drill a 3/4" (19 mm) hole into each side of the framed cavity, located 4-5/8" (117 mm) from the bottom of the cavity.
- Route the electrical wiring from the GFCI/RCD receptacle and the dimmer switch through the holes in the framing.
- The wiring should extend at least 20" (508 mm) from each hole.

### Surface-Mount Installation

- Drill two 3/4" (19 mm) holes for the electrical wire locations.
- Route the electrical wiring from the GFCI/RCD receptacle and the dimmer switch through the holes in the finished wall.
- The wiring should extend at least 20" (508 mm) from each hole.



#### 4. Recess-Mount – Install the Cabinet

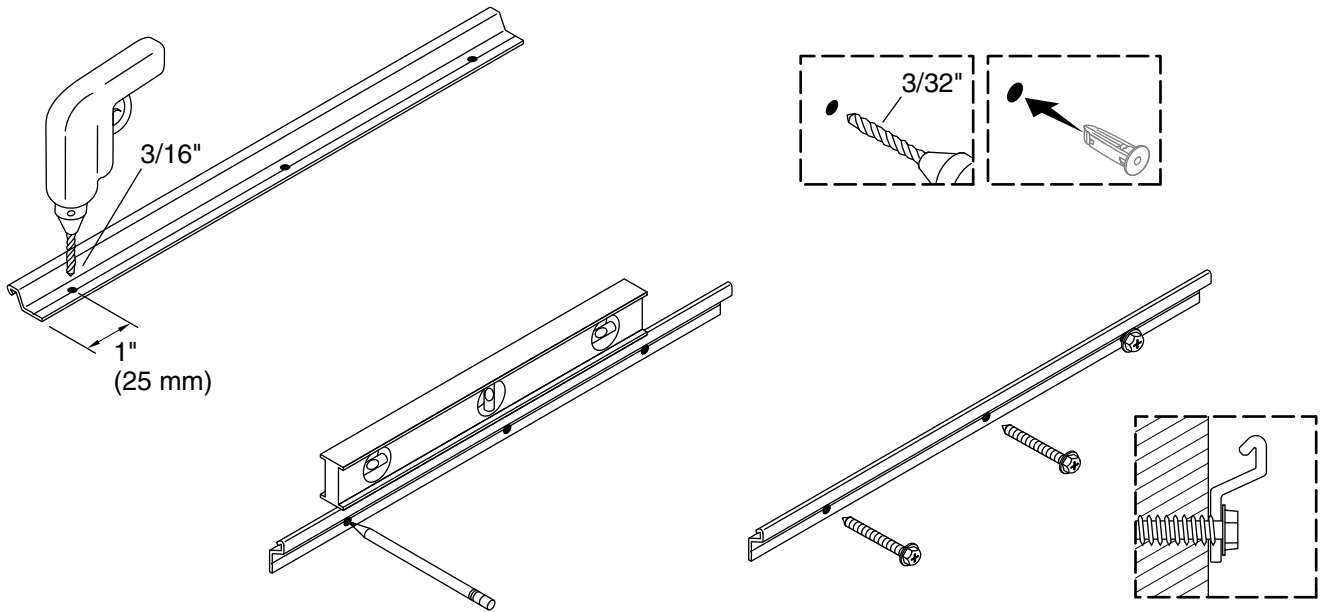
**NOTE:** The following instructions are for recess-mount only. For surface-mount installation, refer to the "Surface-Mount" sections.

- If purchased, install the decorative surround before installing the mirrored cabinet. Follow the instructions packed with the surround.

**IMPORTANT!** Never leave the door supported with only one hinge attached. Get assistance supporting the door.

- Open and remove the door(s). While supporting the door, remove the screws from the bottom hinge first.
- With assistance, place and hold the cabinet into the cutout.
- Mount the cabinet to the framing studs using the screws provided through each of the four mounting holes.

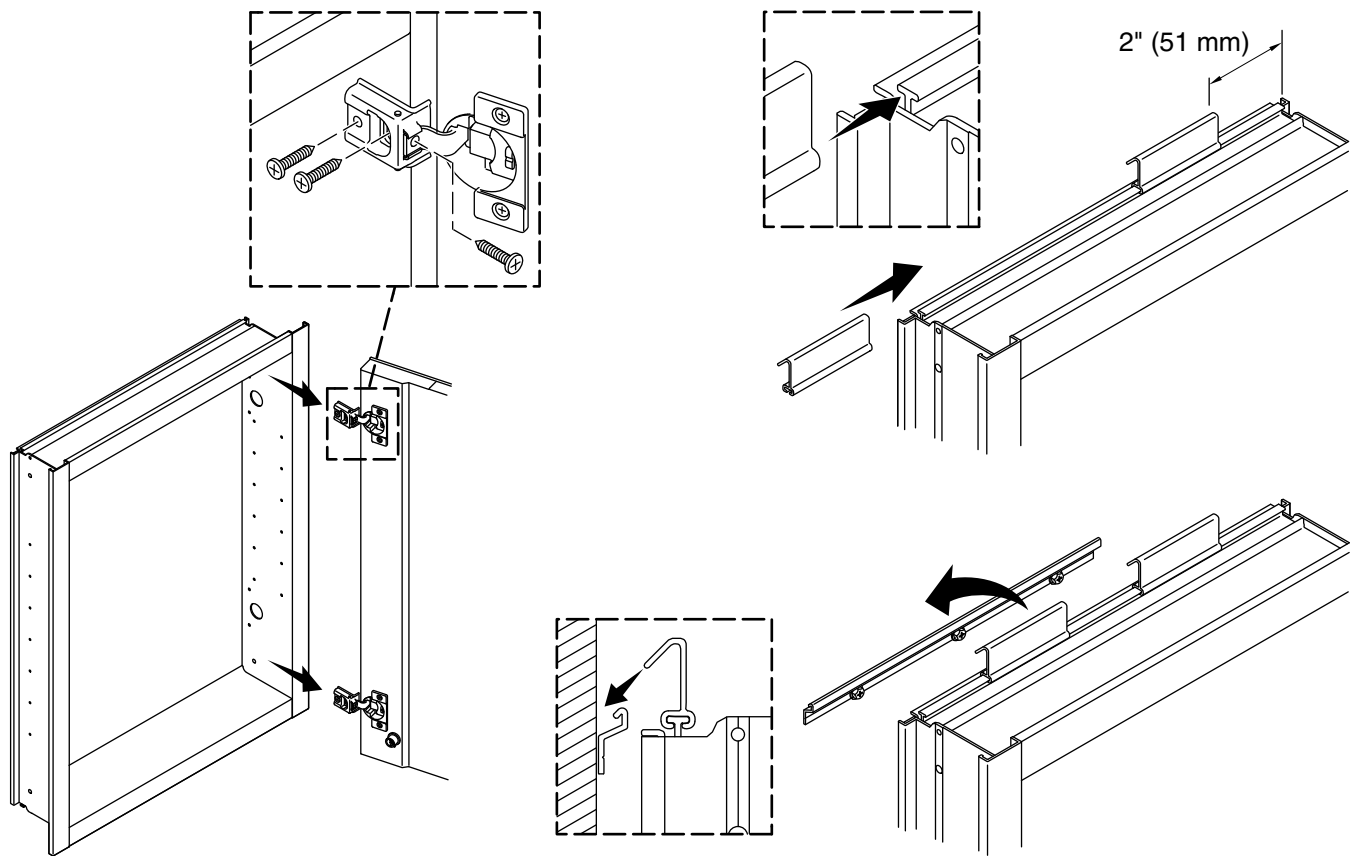




## 5. Surface-Mount – Install the Mounting Bar

**NOTE:** The following instructions are for surface-mount only. For recess-mount installation, refer to the "Recess-Mount" sections.

- Using a 3/16" drill bit, drill three holes on the groove of the mounting bracket. One hole must be positioned on a stud location.
- Mark hole locations on the wall.
- Drill holes at the marked locations on the wall.
- Insert anchors (not provided) where needed.
- Secure the mounting bar with three 2" hex head screws or screws provided with the anchors.

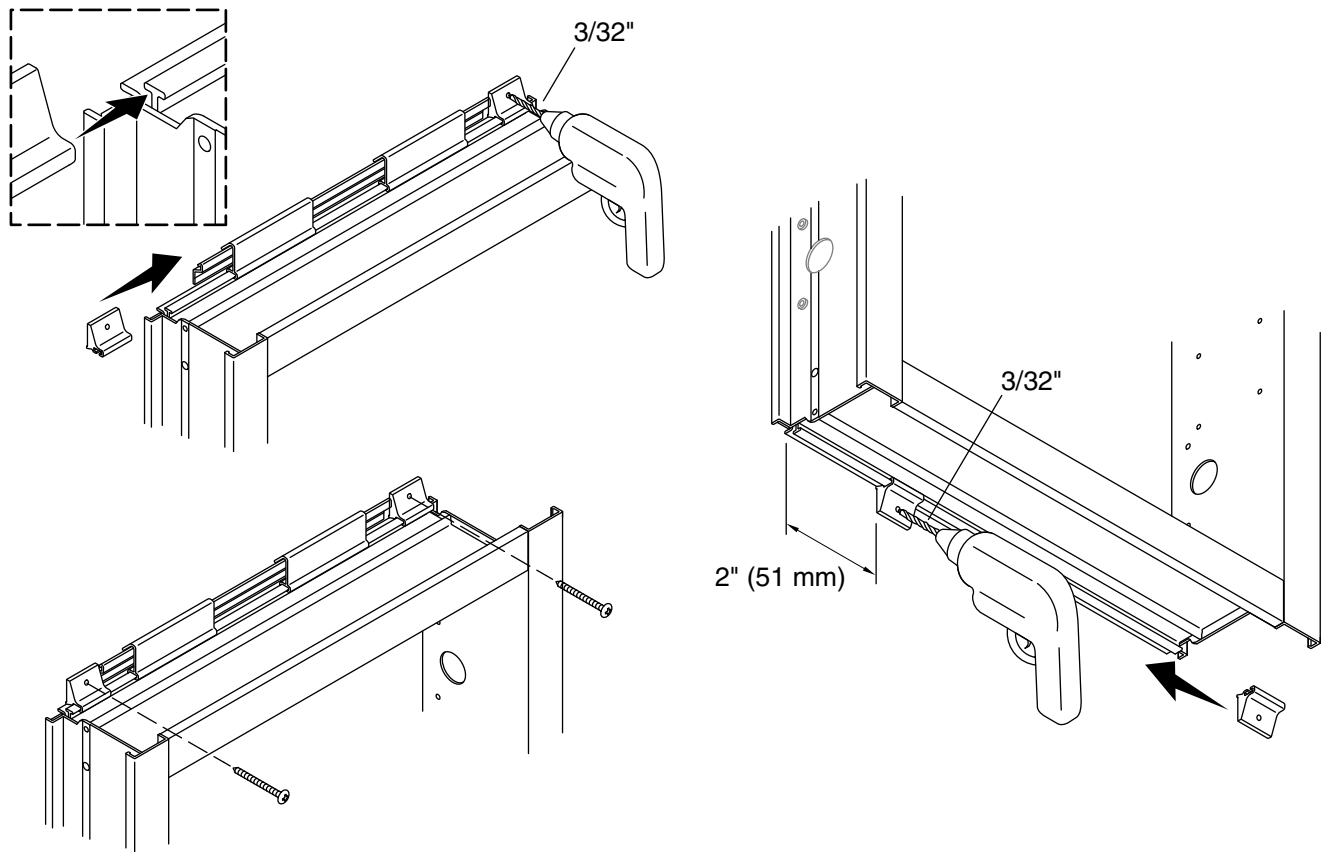


## 6. Surface-Mount – Hang the Cabinet

**NOTE:** The following instructions are for surface-mount only. For recess-mount installation, refer to the "Recess-Mount" sections.

**IMPORTANT!** Never leave the door supported with only one hinge attached. Get assistance supporting the door.

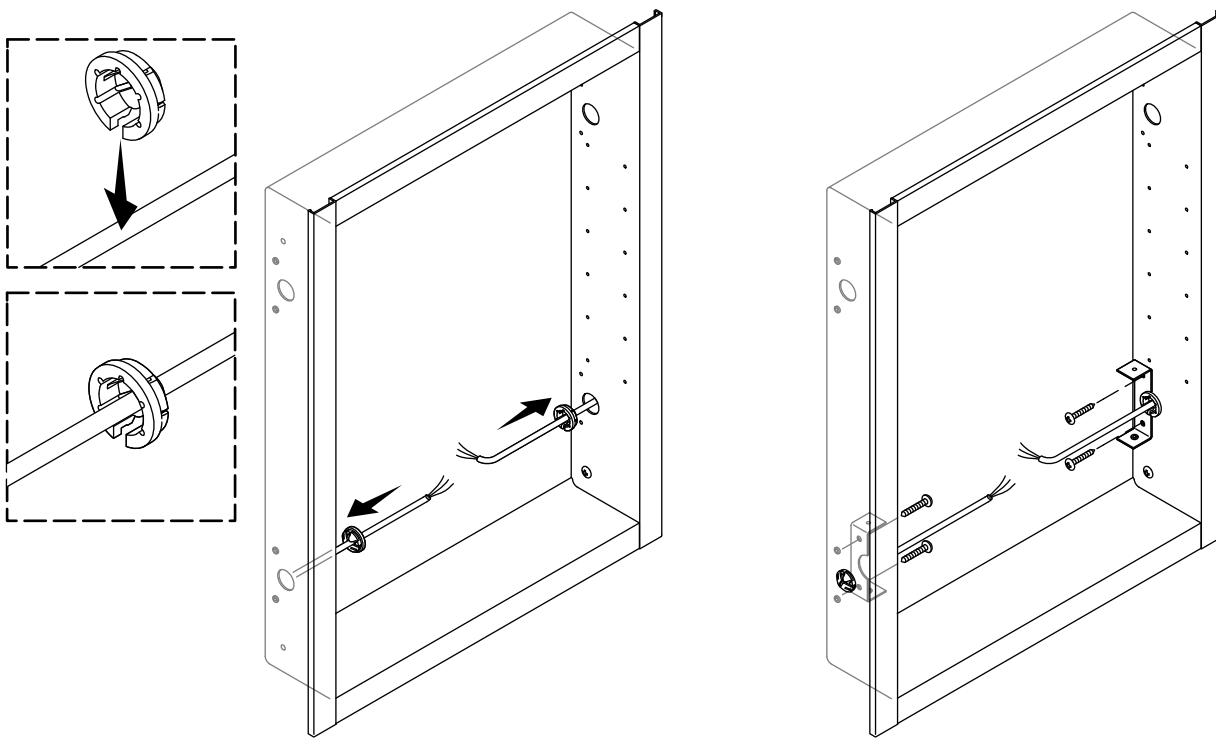
- Open and remove the door(s). While supporting the door, remove the screws from the bottom hinge first.
- Slide the hanger hooks onto the top T-slot.
- Position each hook 2" (51 mm) from the ends of the cabinet.
- Lift the cabinet onto the mounting bar. Make sure the hanger hooks engage the bar.



## 7. Surface-Mount – Secure the Cabinet

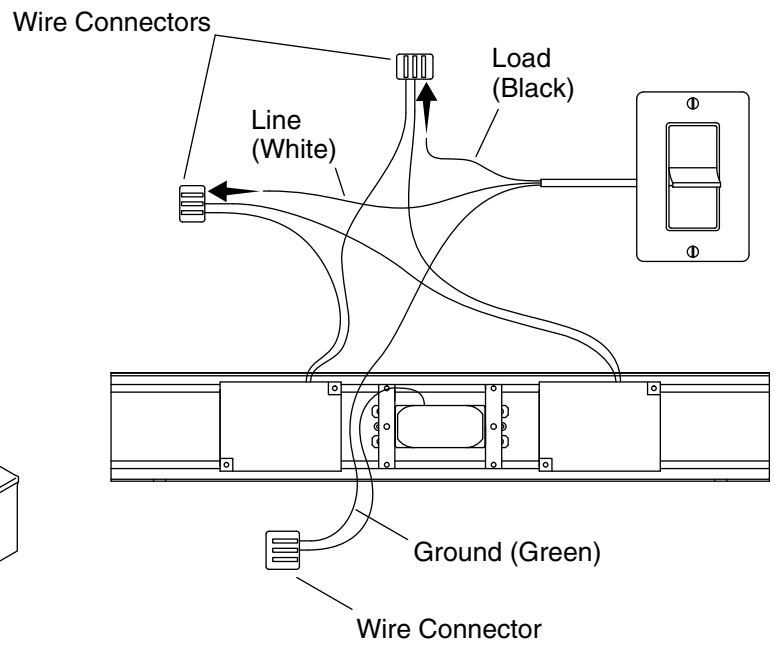
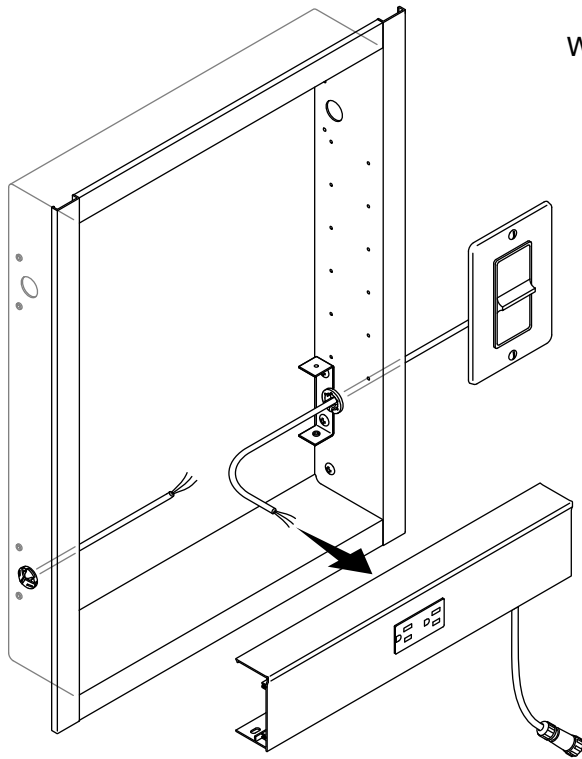
**NOTE:** The following instructions are for surface-mount only. For recess-mount installation, refer to the "Recess-Mount" sections.

- Slide a clip onto each end of the top T-slot.
- Make sure the cabinet is centered on the wall as desired.
- Using a 3/32" drill bit, drill pilot holes into the wall.
- If anchors are needed, remove the cabinet and install anchors into the wall at the pilot hole locations.
- Secure the clips with 1-1/2" screws.
- Slide two clips onto the bottom T-slot.
- Position each clip 2" (51 mm) from the ends of the cabinet.
- Using a 3/32" drill bit, drill pilot holes into the wall.
- If anchors are needed, remove the cabinet and install anchors into the wall at the pilot hole locations.
- Secure the clips with 1-1/2" screws.



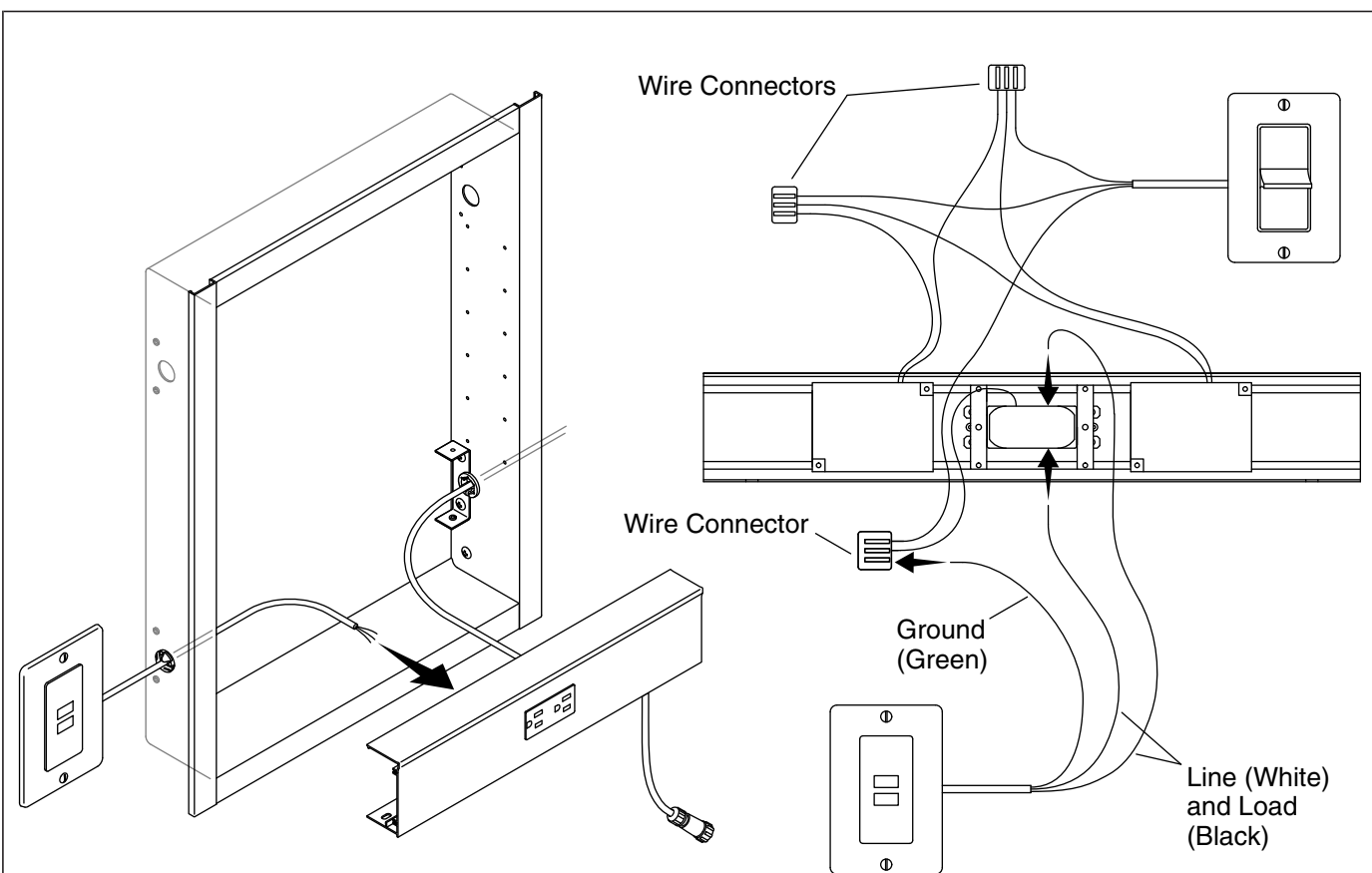
## 8. Install the Brackets

- Place a wire gasket onto both electrical wires, close to the side panel hole.
- Press each gasket into the hole.
- Align the brackets with the side panel holes as shown.
- Secure each bracket with two screws. Avoid pinching the electrical wires while securing the brackets.



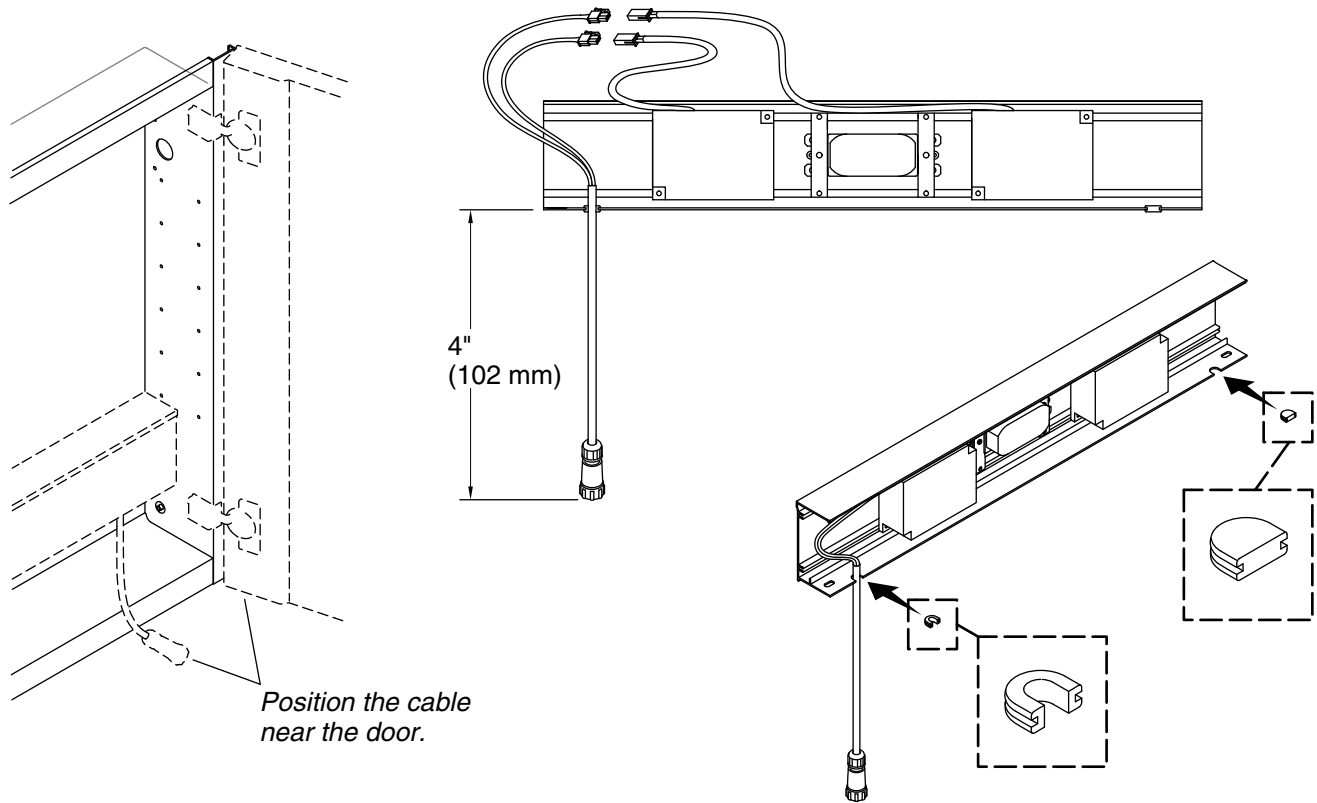
## 9. Connect the Dimmer Switch

- Connect the electrical wiring from the dimmer switch to the proper connectors on the power box as shown.



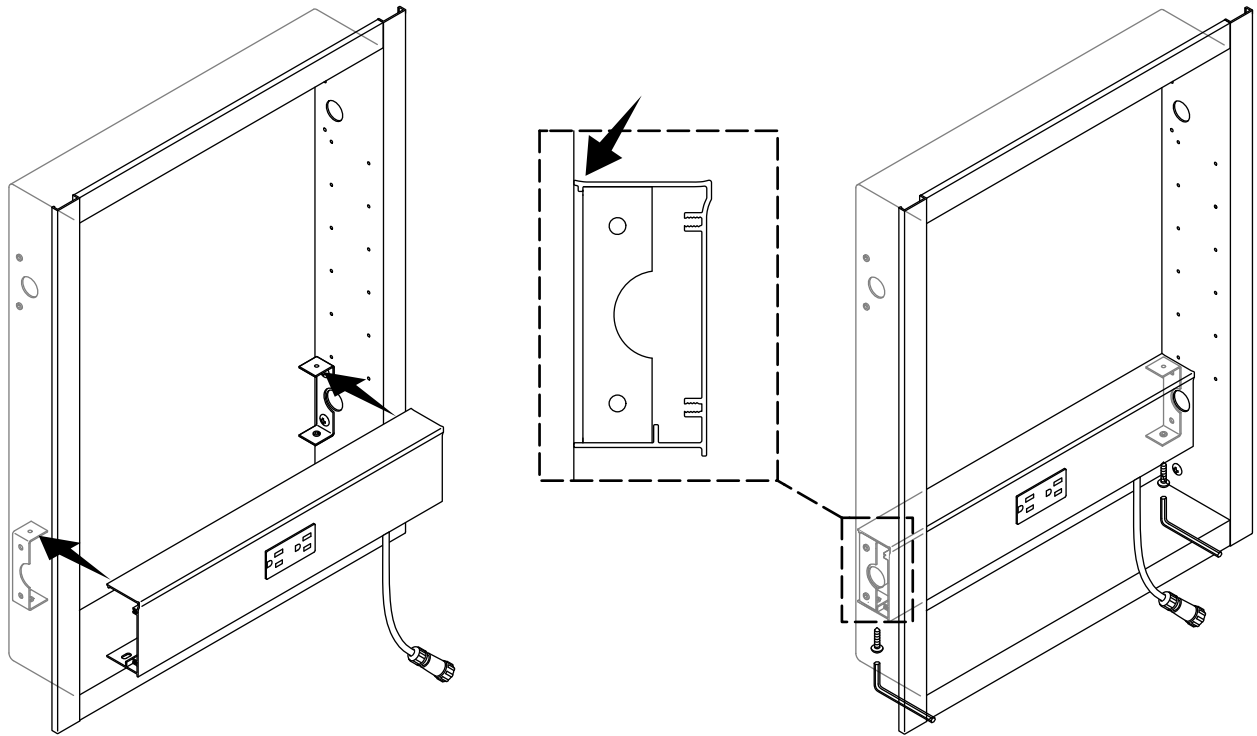
## 10. Connect the GFCI/RCD Receptacle

- Connect the electrical wiring from the GFCI/RCD receptacle to the proper connectors on the power box as shown.



## 11. Connect the Door Cable

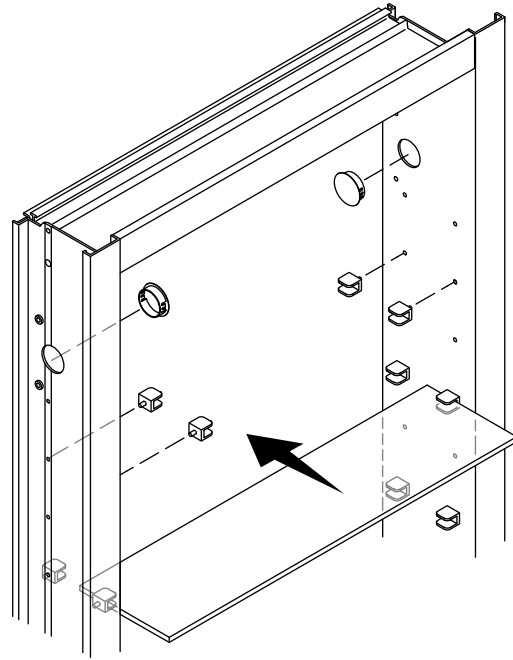
- Position the cable on the side of the power box that will be closest to the door.
- Connect the door cable to the power supply connectors on the power box.
- The cable should extend 4" (102 mm) from the bottom of the power box. Coil any excess cable inside the box.
- Install the slotted grommet around the cable and into the slot on the back of the power box.
- Install the plug in the remaining open slot on the back of the power box.



## 12. Install the Power Box

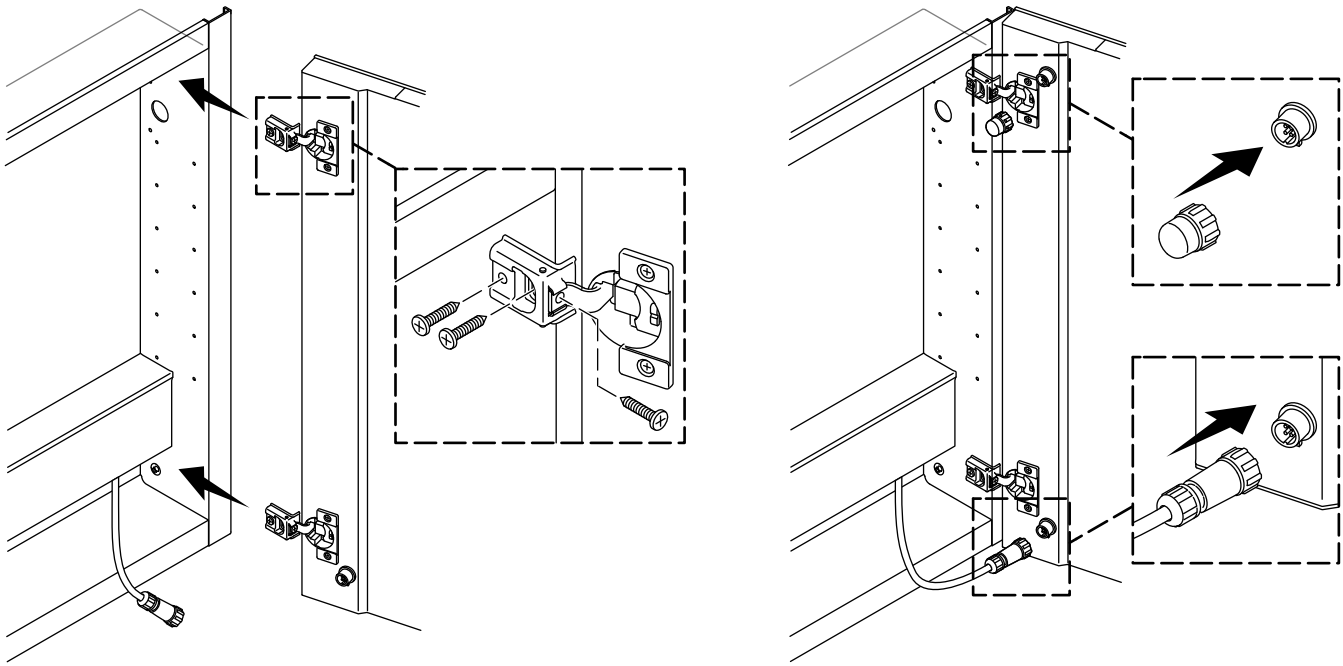
- Position the power box into the cabinet. Make sure the top of the box clips over each bracket.
- Secure the box in place with the two screws.





### 13. Install the Shelves

- Determine the shelf locations and insert the slotted pins into the holes in the sides of the cabinet.
- Install the shelves between the slots of the pins.
- Install the caps to the unused electrical holes near the top of the cabinet.



## 14. Install the Door

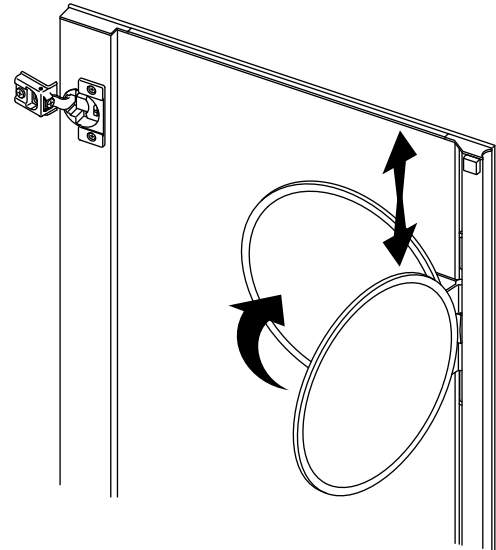
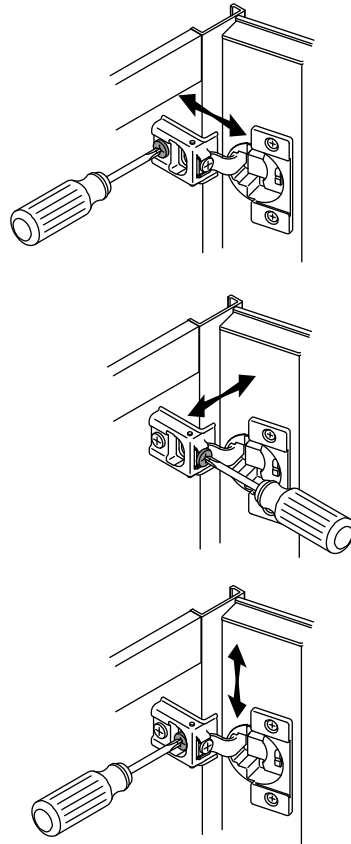
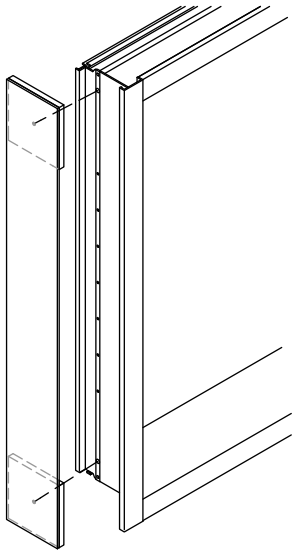
**IMPORTANT!** Never leave the door supported with only one hinge attached. Get assistance supporting the door.

**IMPORTANT!** Make sure the cable does not get pinched when the cabinet door is closed.

**NOTE: Reattach the top hinge first.**

- Align the hinges with the hinge holes in the side of the cabinet.
- While supporting the door, secure the top hinge to the cabinet with the three screws.
- Continue supporting the door while securing the bottom hinge with the three screws.
- Align the tab on the end of the cable with the slot on the adapter at the bottom of the door.
- Press the cable connector onto the adapter.
- Align the tab on the cap with the slot on the adapter at the top of the door, then press in place.
- Test opening and closing the door for smooth operation. Make sure the cable does not get pinched.
- If the door binds, make adjustments to the hinges. Refer to the "Adjust the Door" section.

## Surface-Mount



## 15. Complete the Installation



**CAUTION: Risk of electric shock.** For surface-mount installation, side mirror kit K-99012 or wood kit K-99675 is required to enclose exposed electrical wiring.

- **For surface-mount installation:** Install side mirror kit K-99012 or wood kit K-99675 to enclose the exposed electrical wiring.

### Adjust the Door

- The hinges can be adjusted for proper door functionality and alignment.
- Refer to the illustration above and note the screwdriver location for the desired adjustment.

### Adjust the Mirror

**CAUTION: Risk of Product Damage.** Rotate the mirror inward, flush with the door, before closing the door.

- Slide the makeup mirror up or down to the desired height.
- Rotate the mirror **in toward the door** when not in use.

## Care and Cleaning

For best results, keep the following in mind when caring for your KOHLER product:

**NOTE:** Periodic care and maintenance should include checking all hinge screws on the door to make sure they are tight and engaged in the hinge holes.

- Do not use bristle brushes, abrasive sponges or abrasive cleaners. They will scratch some surfaces.
- Do not let cleaners sit or soak on surfaces.

## Care and Cleaning (cont.)

For detailed cleaning information and products to consider, visit [www.kohler.com/clean](http://www.kohler.com/clean). To order Care & Cleaning information, call 1-800-456-4537.

## Warranty

### ONE-YEAR LIMITED WARRANTY

KOHLER plumbing products are warranted to be free of defects in material and workmanship for one year from date of installation.

Kohler Co. will, at its election, repair, replace or make appropriate adjustment where Kohler Co. inspection discloses any such defects occurring in normal usage within one (1) year after installation. Kohler Co. is not responsible for removal or installation costs. **Use of in-tank toilet cleaners will void the warranty.**

To obtain warranty service contact Kohler Co. either through your Dealer, Plumbing Contractor, Home Center or E-tailer, or by writing Kohler Co., Attn.: Customer Care Center, 444 Highland Drive, Kohler, WI 53044, USA, or by calling 1-800-4-KOHLER (1-800-456-4537) from within the USA and Canada, and 001-800-456-4537 from within Mexico, or visit [www.kohler.com](http://www.kohler.com) within the USA, [www.ca.kohler.com](http://www.ca.kohler.com) from within Canada, or [www.mx.kohler.com](http://www.mx.kohler.com) in Mexico.

**IMPLIED WARRANTIES INCLUDING THAT OF MERCHANTABILITY AND FITNESS FOR A PARTICULAR PURPOSE ARE EXPRESSLY LIMITED IN DURATION TO THE DURATION OF THIS WARRANTY. KOHLER CO. AND/OR SELLER DISCLAIM ANY LIABILITY FOR SPECIAL, INCIDENTAL OR CONSEQUENTIAL DAMAGES.** Some states/provinces do not allow limitations on how long an implied warranty lasts, or the exclusion or limitation of special, incidental or consequential damages, so these limitations and exclusions may not apply to you. This warranty gives you specific legal rights. You may also have other rights which vary from state/province to state/province.

**This is Kohler Co.'s exclusive written warranty.**

# Guide d'installation et d'entretien

## Armoire éclairée à miroir

### INSTRUCTIONS DE SÉCURITÉ

#### Lire toutes les instructions avant d'utiliser ou d'installer ce produit.



**AVERTISSEMENT:** Lors de l'utilisation de produits électriques, toujours observer les précautions de base, notamment:



**AVERTISSEMENT: Risque de choc électrique.** Une mise à la terre est requise pour les prises comprises dans le boîtier électrique. Seulement raccorder à un circuit qui est protégé par un disjoncteur de fuite de terre (GFCI)\* de Classe A qui protège contre les risques d'électrocution de tension phase-terre. Utiliser un service de 120 V, 15 A.



**AVERTISSEMENT: Risque de choc électrique.** Tout le câblage électrique pour le produit doit être réalisé par un électricien qualifié. Une installation non adéquate crée un risque électrique et pourrait ne pas être conforme aux codes de construction et d'électricité locaux.



**AVERTISSEMENT: Risque de choc électrique.** Couper l'électricité au niveau du disjoncteur ou du boîtier de fusibles avant de déplacer, de tester, de nettoyer ou de réparer ce produit. Lorsqu'il est débranché, l'alimentation électrique ne sera plus sous tension, ce qui éliminera le risque de choc électrique.



**ATTENTION: Risque de choc électrique.** Risque de choc électrique. Il sera peut-être nécessaire de déplacer le câblage électrique.

**AVIS:** Suivre tous les codes d'électricité, de plomberie et de bâtiment locaux.

**IMPORTANT!** Un gradateur est requis. Ce produit est compatible avec la plupart des gradateurs résidentiels destinés à des ampoules à DEL incandescentes et à commande d'intensité. Pour obtenir une performance de commande d'intensité optimale, un gradateur de fondu numérique destiné à un éclairage à DEL avec une intensité nominale minimum de 150 W est recommandé.

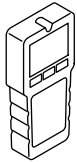
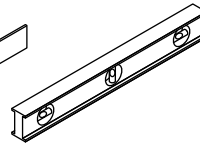
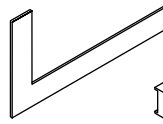
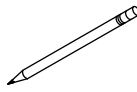
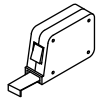
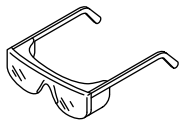
\* Hors de l'Amérique du Nord, ce dispositif peut être connu sous le nom de dispositif à courant résiduel (RCD).

### Spécifications

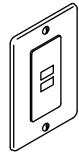
#### Service électrique

Boîtier électrique	120 V, 60 Hz, 15 A Max
Lampe	120 V, 60 Hz, 0.8 A

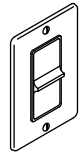
## Outils et matériel



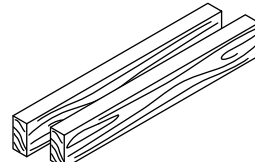
Localisateur de montants



Prise GFCI/RCD



Gradateur



Bois de construction 2x4 (montage encastré seulement)

### Plus:

- Coupe-fil/Outil à dénuder
- Mèches assorties
- Outils pour ossature et cloison sèche
- Dispositifs de fixation d'ossature et de cloison sèche

## Avant de commencer



**ATTENTION: Risque de blessures.** Les armoires à miroir sont très lourdes. Demander de l'aide pour soulever l'armoire.



**ATTENTION: Risque de choc électrique.** Pour une installation avec montage en surface, le kit de miroir latéral K-99012 ou le kit en bois K-99675 est requis pour enclôsser le câblage électrique exposé.

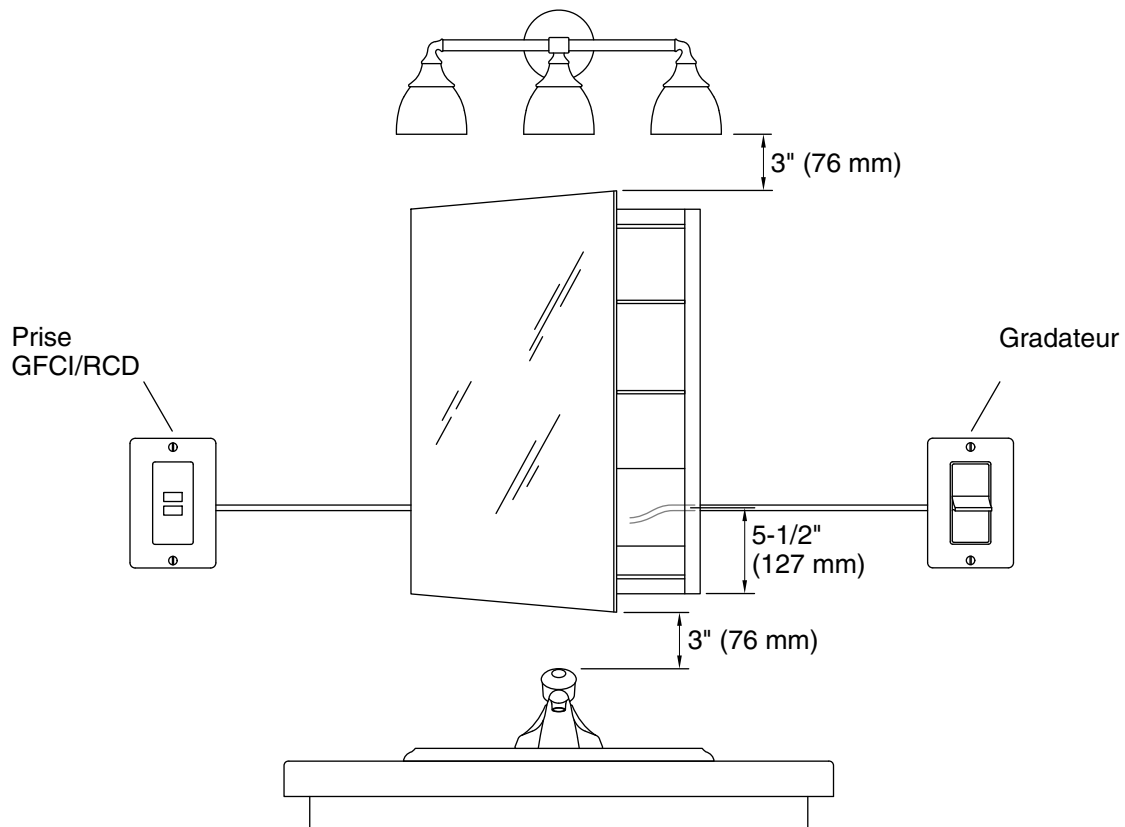
**AVIS: Risque d'endommagement du produit.** L'emplacement de l'armoire est de première importance. S'assurer que la porte est dégagée de tous les obstacles (comme un robinet ou un appareil d'éclairage), et que les obstacles qui se trouvent à l'arrière du mur fini ne subiront pas de dommages pendant la découpe et/ou la procédure de perçage.

**IMPORTANT!** Réacheminer tous les câbles électriques ou tuyaux d'arrivée d'eau du vide intérieur du mur. En présence de tuyauterie d'évent ou d'écoulement ou s'il s'agit d'un mur porteur, consulter un professionnel avant de continuer.

**IMPORTANT!** L'armoire est conçue pour une ouverture de porte vers la droite ou la gauche (sauf le modèle K-99011-TL).

**REMARQUE: Installation avec montage encastré:** Le vide intérieur du mur doit être encadré par une ossature. L'armoire doit être bien fixée sur les montants d'ossature.

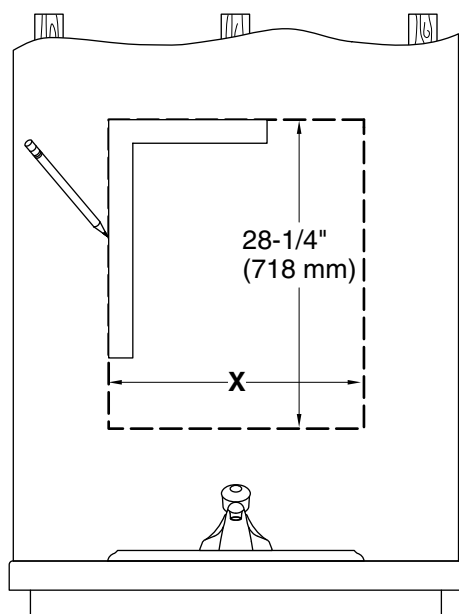
- Respecter tous les codes de construction locaux.
- L'armoire à miroir est destinée à des installations avec montage encastré ou en surface. Suivre les instructions qui s'appliquent pour l'installation choisie.
- L'apparence de votre armoire à miroir peut être différente de celle de l'armoire à miroir illustrée. Les instructions d'installation s'appliquent tout de même.
- Cette installation est exécutée le plus facilement par deux personnes.
- Lors de l'établissement de la hauteur du produit, vérifier que la ou les portes sont dégagées de tous les obstacles (comme un robinet ou un appareil d'éclairage). Une distance de 3" (76 mm) minimum est requise.



### Information sur l'installation brute

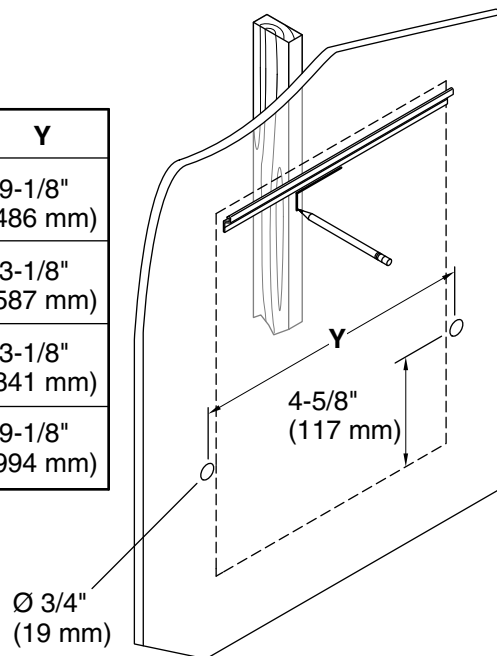
- Lors de l'établissement de la hauteur du produit, vérifier que la porte est dégagée de tous les obstacles (comme un robinet ou un appareil d'éclairage). Une distance de 3" (76 mm) minimum est requise.
- Planifier l'emplacement du gradateur et de la prise GFCI/RCD. Les fils électriques doivent entrer dans l'armoire à 5-1/2" (127 mm) du fond de celle-ci.

### Installation encastrée



	X	Y
<b>K-99003</b>	19-1/2" (495 mm)	19-1/8" (486 mm)
<b>K-99007</b>	23-1/2" (597 mm)	23-1/8" (587 mm)
<b>K-99009</b>	33-1/2" (851 mm)	33-1/8" (841 mm)
<b>K-99011</b>	39-1/2" (1003 mm)	39-1/8" (994 mm)

### Installation en surface



## 1. Préparation

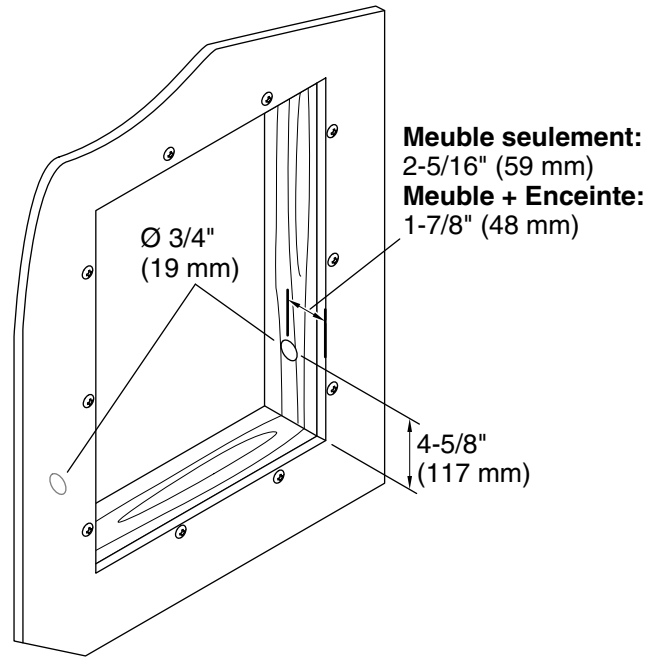
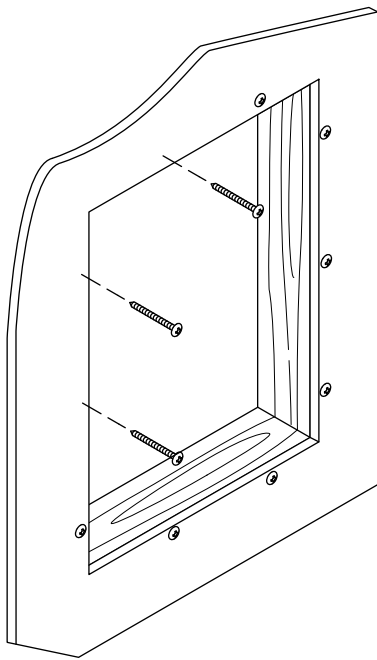
### Installation à montage encastré

- Mesurer et marquer la découpe en fonction du modèle en question.

### Installation à montage en surface

- Marquer la position de la barre de fixation et les emplacements des montants.
- Déterminer les emplacements pour les trous des fils électriques conformément aux dimensions indiquées ci-dessus pour votre produit.





## 2. Montage encastré – Construire le cadre d'ossature

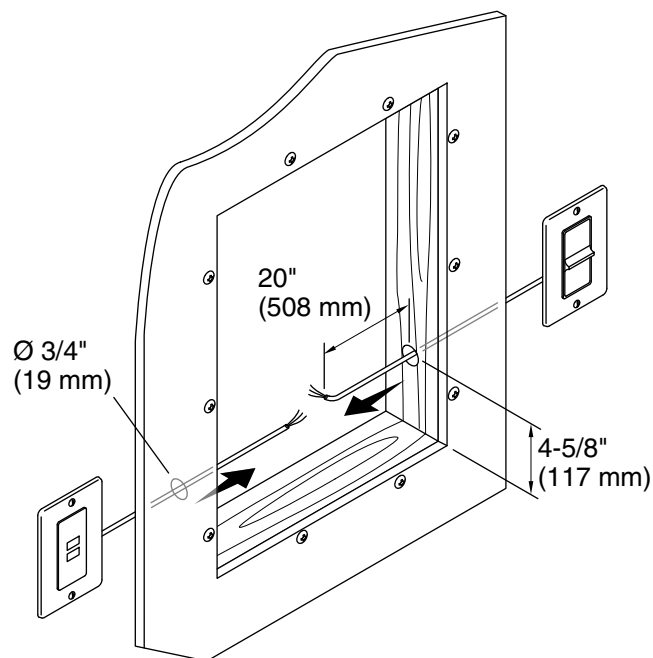
**REMARQUE:** Les instructions ci-dessous s'appliquent aux installations à montage encastré seulement. Se référer aux sections "Montage en surface" pour une installation à montage en surface.

- À l'aide d'une scie sauteuse ou d'une scie à guichet, retirer avec précaution le matériel du mur fini de la découpe marquée.
- Encadrer le vide intérieur du mur. Si nécessaire, installer un linteau.

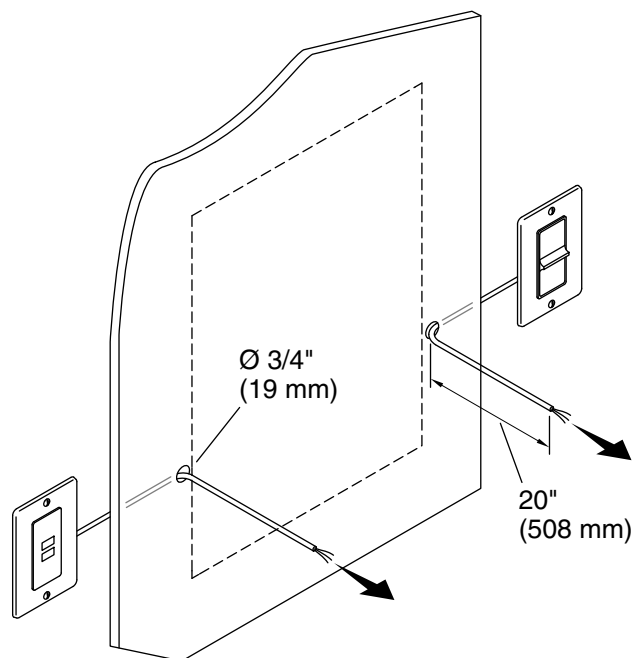
**IMPORTANT!** L'emplacement des trous dans le cadre est de première importance pour l'alignement des fils électriques avec le meuble. S'il est prévu d'installer une enceinte décorative optionnelle, utiliser la dimension spécifiée pour le meuble et l'enceinte.

- **Pour une installation du meuble seulement:** Marquer le centre du trou à 4-5/8" (117 mm) du fond de la cavité et à 2-5/16" (59 mm) du mur fini.
- **Pour le meuble plus l'enceinte:** Marquer le centre du trou à 4-5/8" (117 mm) du fond de la cavité et à 1-7/8" (48 mm) du mur fini.
- Percer un trou de 3/4" (19 mm) dans chaque côté de la cavité encadrée aux emplacements marqués.

### Installation encastrée



### Installation en surface



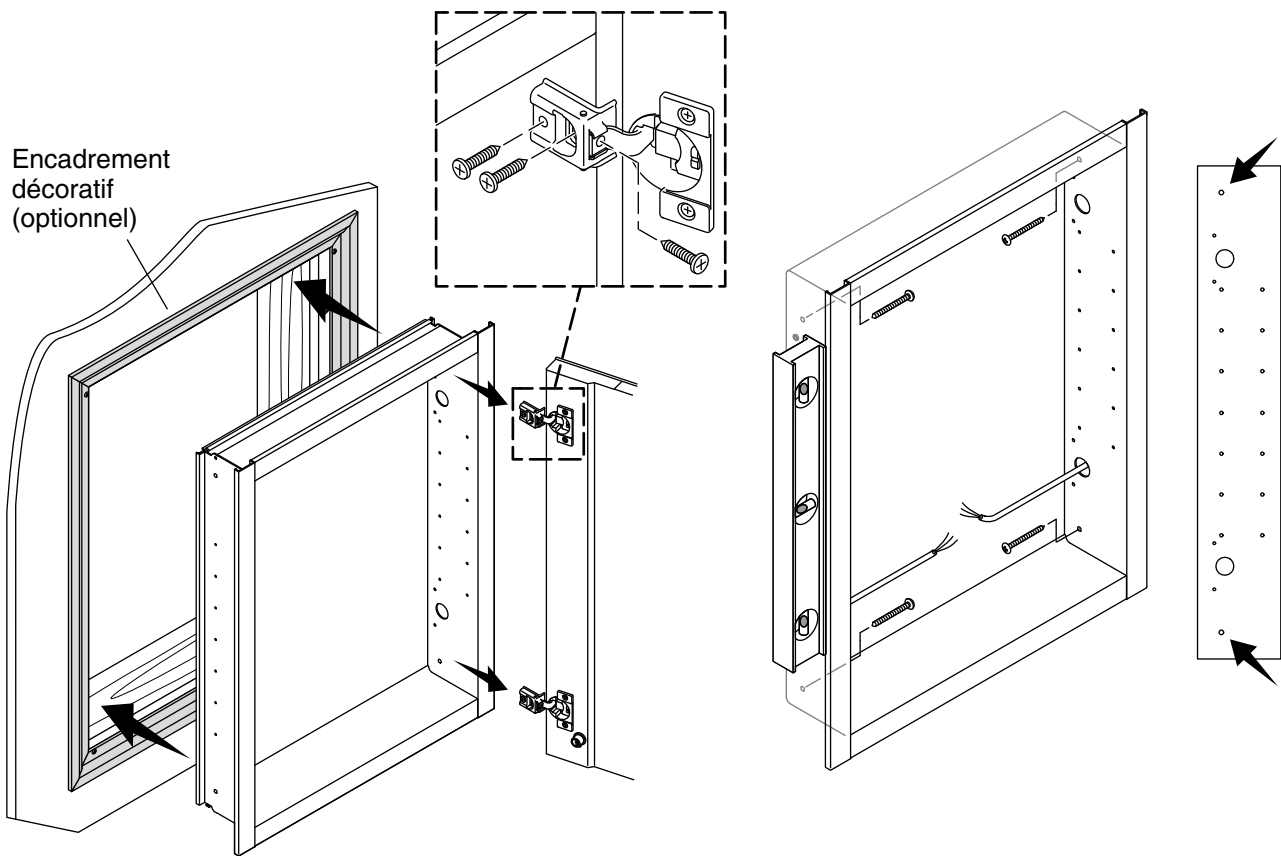
## 3. Acheminer le câblage

### Installation à montage encastré

- Percer un trou de 3/4" (19 mm) dans chaque côté du vide intérieur du mur encadré se trouvant à 4-5/8" (117 mm) du fond du vide intérieur du mur.
- Acheminer le câblage électrique entre la prise GFCI/RCD et le gradateur à travers les trous de l'ossature.
- Le câblage doit se prolonger de 20" (508 mm) au-delà de chaque trou.

### Installation à montage en surface

- Percer deux trous de 3/4" (19 mm) pour les emplacements des fils électriques.
- Acheminer le câblage électrique entre la prise GFCI/RCD et le gradateur à travers les trous dans le mur fini.
- Le câblage doit se prolonger de 20" (508 mm) au moins au-delà de chaque trou.



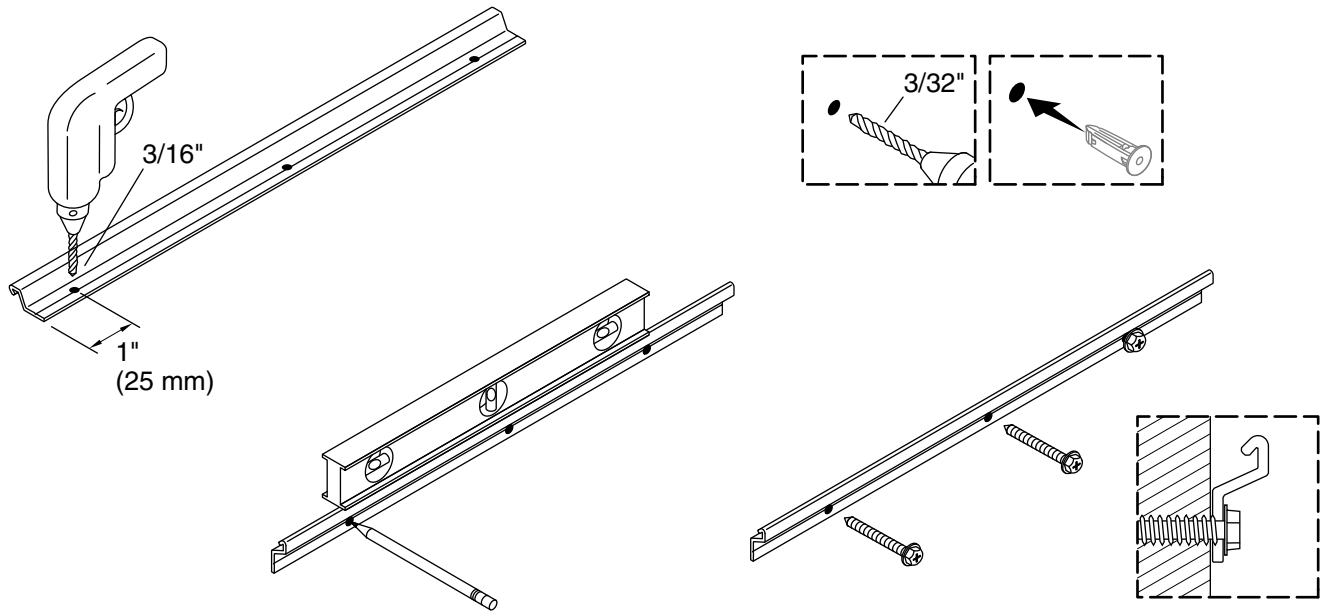
#### 4. Montage encastré – Installer l’armoire

**REMARQUE:** Les instructions ci-dessous s’appliquent aux installations à montage encastré seulement. Se référer aux sections “Montage en surface” pour une installation à montage en surface.

- S’il a été acheté, installer l’encadrement de décoration avant d’installer l’armoire à miroir. Suivre les instructions accompagnant l’encadrement.

**IMPORTANT!** Ne jamais laisser la porte supportée avec une seule charnière attachée. Obtenir de l’aide pour supporter la porte.

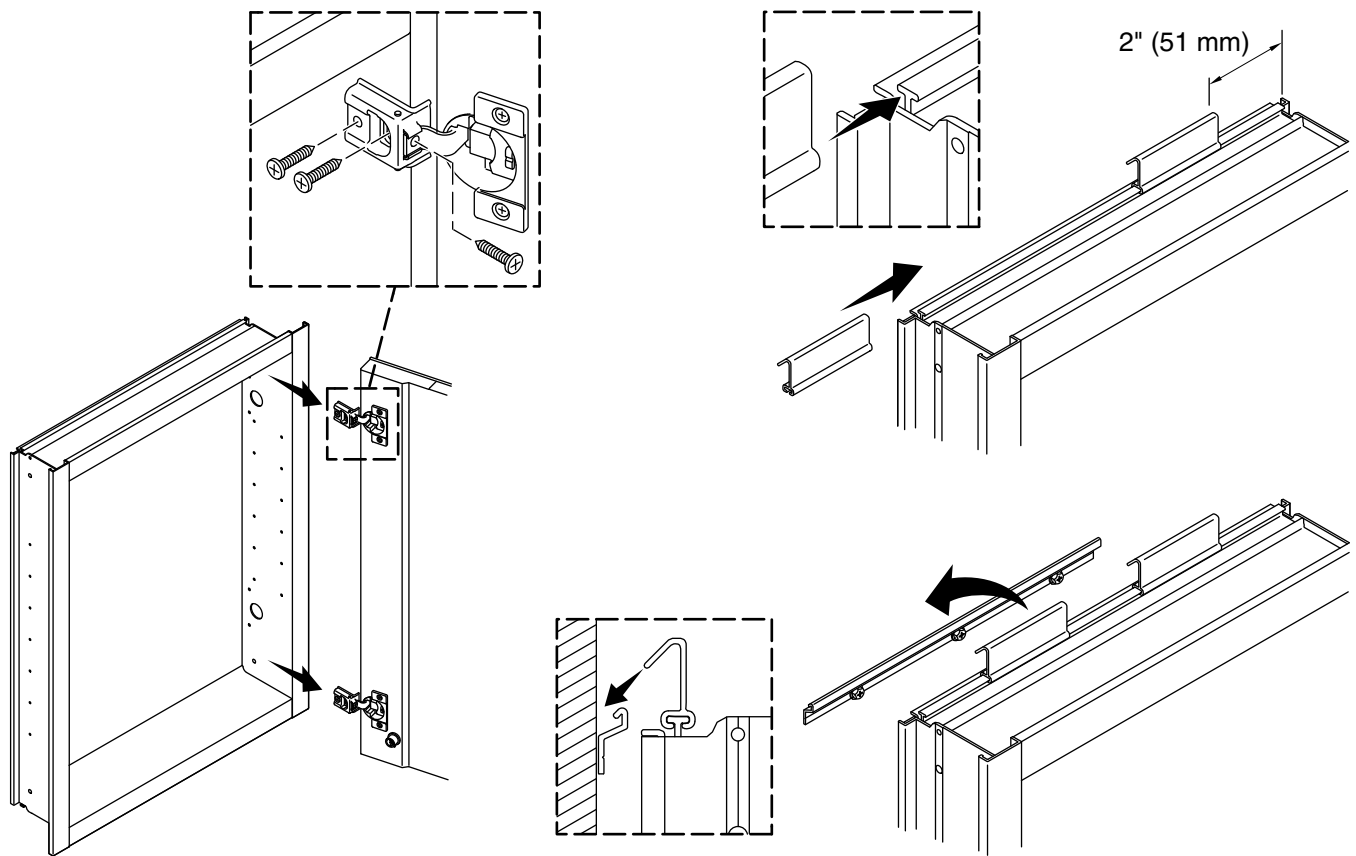
- Ouvrir et retirer la ou les portes. Tout en supportant la porte, retirer les vis de la charnière inférieure en premier.
- Avec de l’aide, placer et tenir l’armoire dans la découpe.
- Monter l’armoire sur les montants d’ossature en faisant passer les vis fournies par chacun des quatre trous de fixation.



## 5. Montage en surface – Installer la barre de fixation

**REMARQUE:** Les instructions ci-dessous s'appliquent aux installations à montage en surface seulement. Se référer aux sections "Montage encastré" pour une installation à montage encastré.

- À l'aide d'une mèche de 3/16", percer trois trous sur la rainure du support de fixation. L'un des trous doit être positionné sur un emplacement de montant.
- Marquer l'emplacement des trous sur le mur.
- Percer des trous aux emplacements marqués sur le mur.
- Enfoncez des chevilles d'ancrage (non fournies) aux emplacements nécessaires.
- Fixer la barre de fixation en place avec trois vis à tête hexagonale de 2" ou les vis fournies avec les dispositifs d'ancrage.

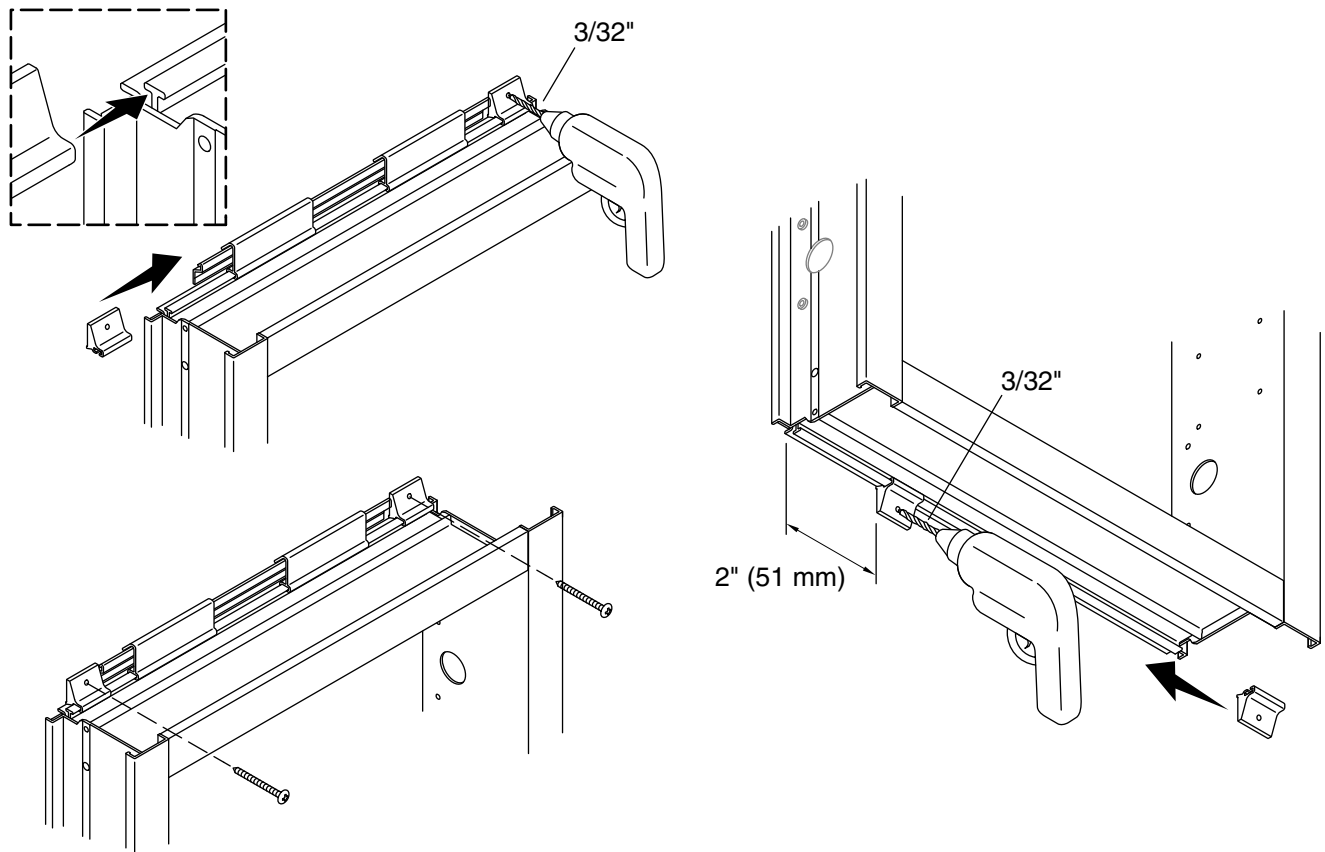


## 6. Montage en surface – Suspendre l'armoire

**REMARQUE:** Les instructions ci-dessous s'appliquent aux installations à montage en surface seulement. Se référer aux sections "Montage encastré" pour une installation à montage encastré.

**IMPORTANT!** Ne jamais laisser la porte supportée avec une seule charnière attachée. Obtenir de l'aide pour supporter la porte.

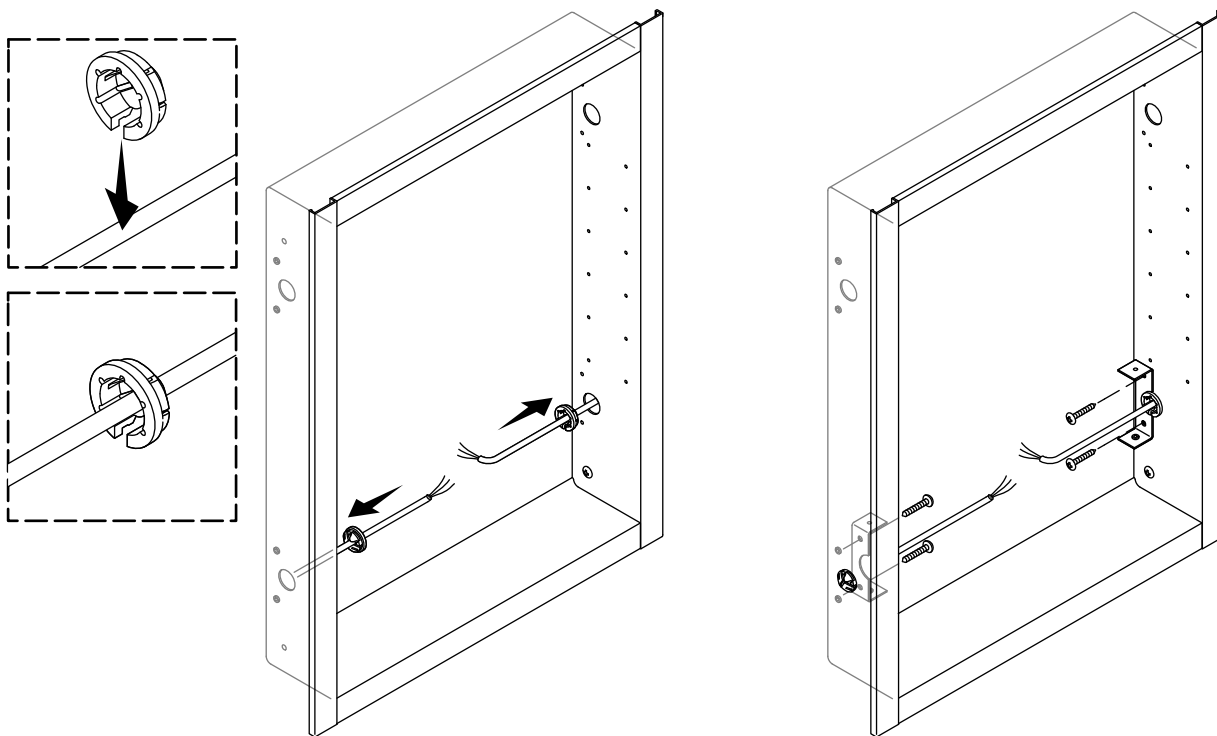
- Ouvrir et retirer la ou les portes. Tout en supportant la porte, retirer les vis de la charnière inférieure en premier.
- Enfiler les crochets de suspension sur la rainure en T supérieure.
- Positionner chaque crochet à 2" (51 mm) des extrémités de l'armoire.
- Soulever l'armoire jusque sur la barre de fixation. S'assurer que les crochets de suspension engagent la barre.



## 7. Montage en surface – Fixer l'armoire en place

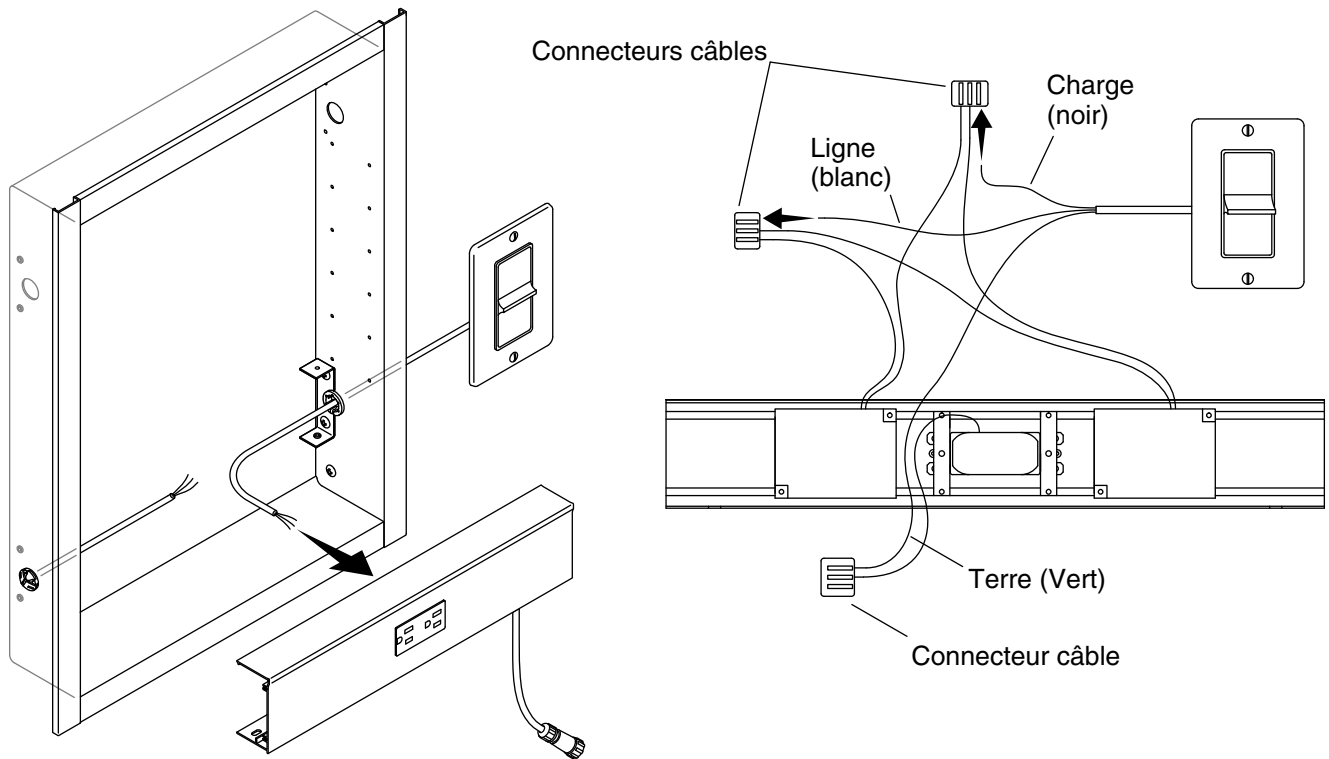
**REMARQUE:** Les instructions ci-dessous s'appliquent aux installations à montage en surface seulement. Se référer aux sections "Montage encastré" pour une installation à montage encastré.

- Faire glisser un clip sur chaque extrémité de la rainure en T supérieure.
- S'assurer que l'armoire est centrée sur le mur tel que souhaité.
- Avec une mèche de 3/32", percer des trous pilotes dans le mur.
- Si des dispositifs d'ancrage sont nécessaires, retirer l'armoire et installer les dispositifs d'ancrage dans le mur aux emplacements des trous pilotes.
- Fixer les clips avec des vis de 1-1/2".
- Enfiler deux clips sur le rail en T inférieur.
- Positionner chaque clip à 2" (51 mm) des extrémités de l'armoire.
- Avec une mèche de 3/32", percer les trous pilotes dans le mur.
- Si des dispositifs d'ancrage sont nécessaires, retirer l'armoire et installer les dispositifs d'ancrage dans le mur aux emplacements des trous pilotes.
- Fixer les clips avec des vis de 1-1/2".



## 8. Installer les supports

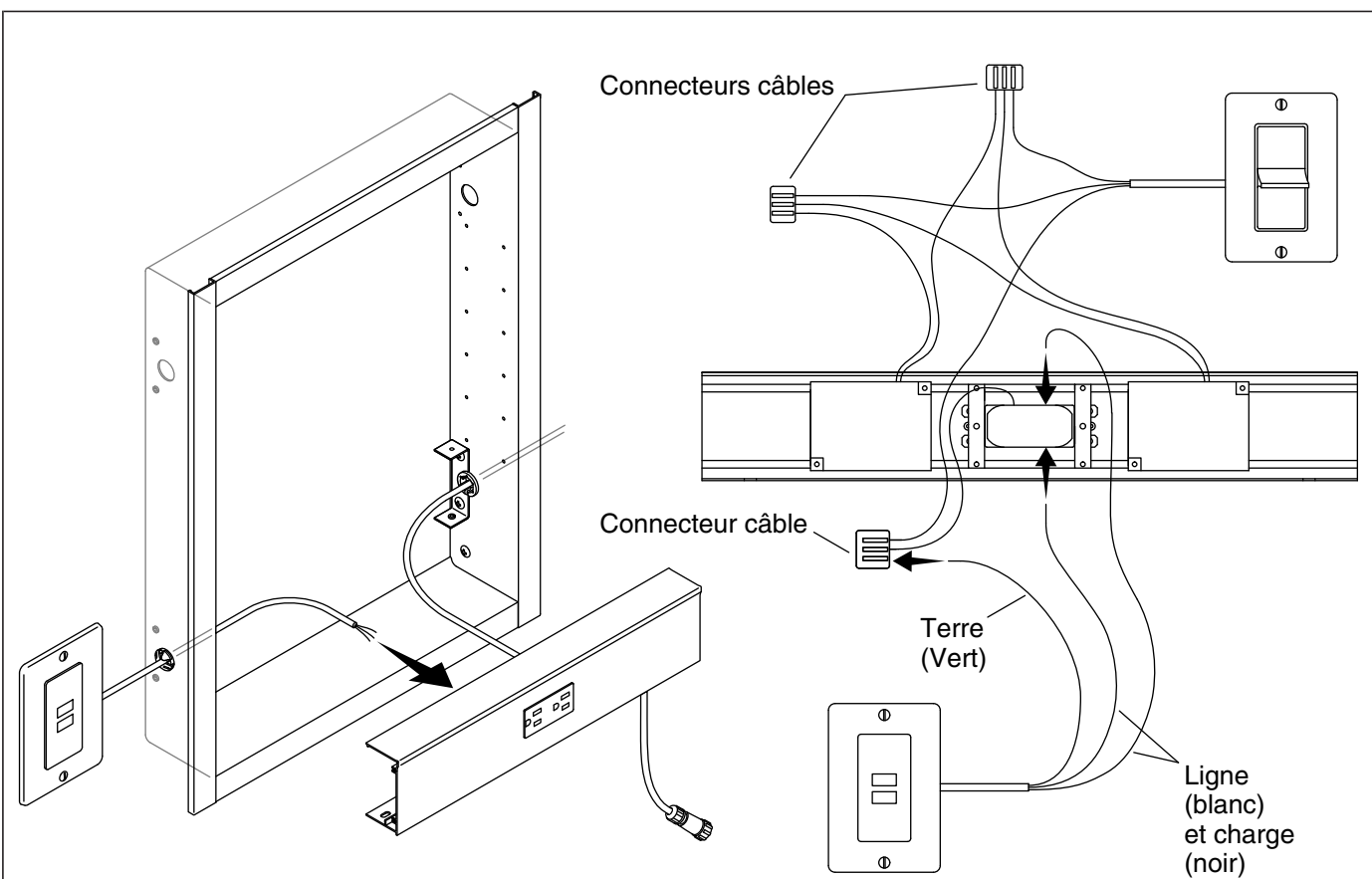
- Placer un joint de fil sur chacun des deux fils électriques, à proximité du trou du panneau latéral.
- Enfoncer chaque joint dans le trou.
- Aligner les supports avec les trous du panneau latéral comme sur l'illustration.
- Fixer chaque support en place avec deux vis. Éviter de pincer les fils électriques pendant que les supports sont fixés en place.



## 9. Connecter le gradateur

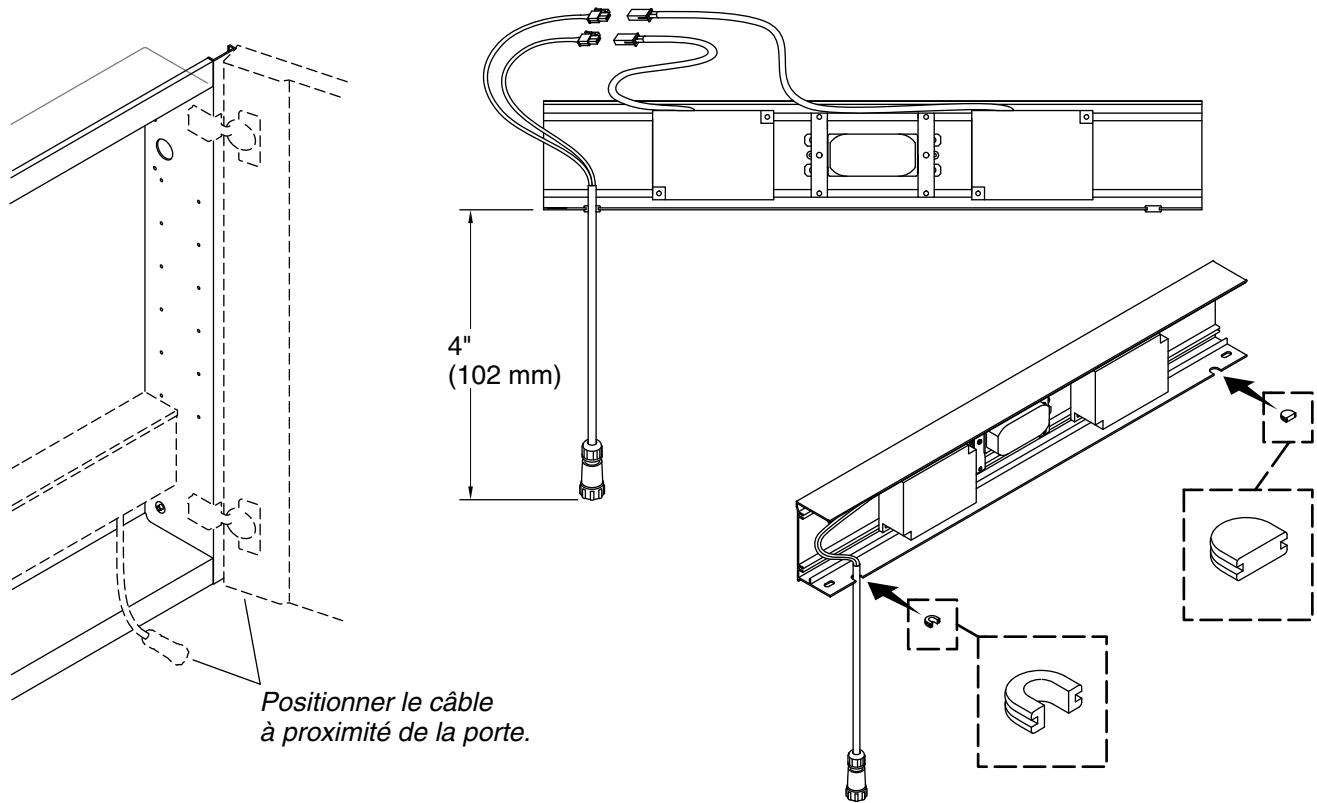
- Connecter le câblage électrique entre le gradateur et les connecteurs appropriés sur le boîtier électrique, comme sur l'illustration.





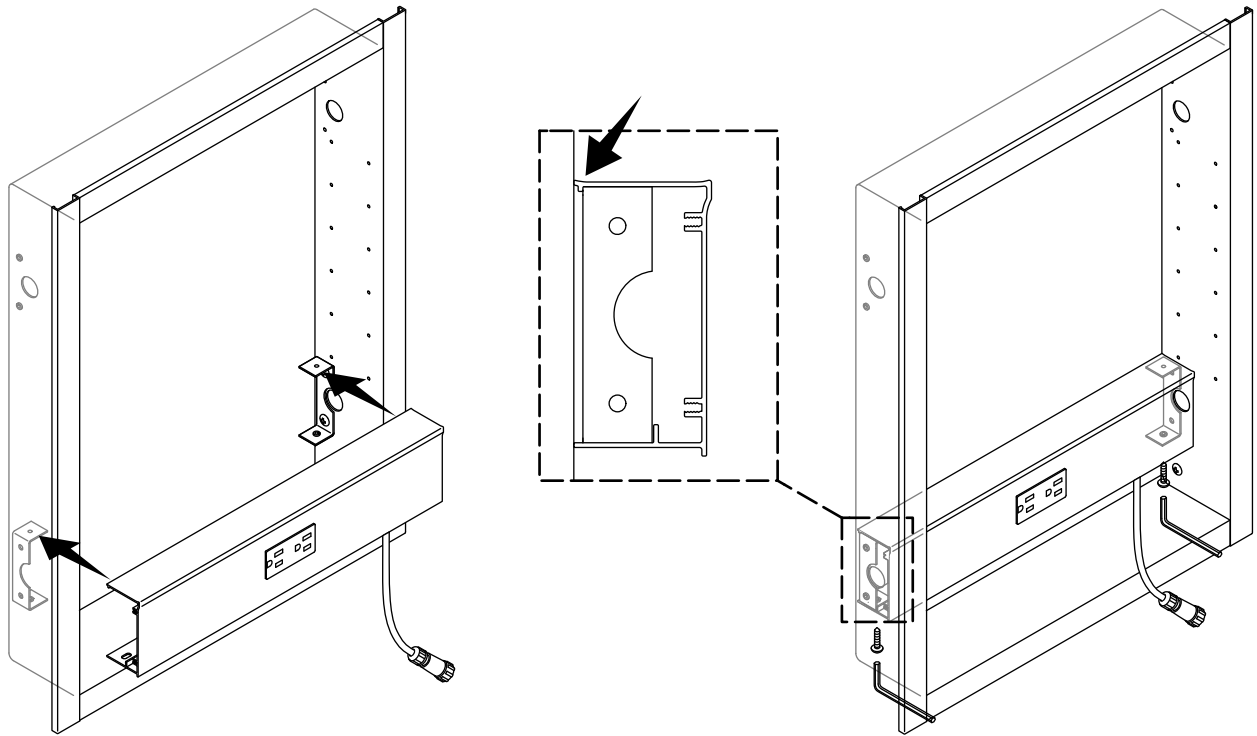
## 10. Connecter la prise GFCI/RCD

- Connecter le câblage électrique entre la prise GFCI/RCD et les connecteurs appropriés sur le boîtier électrique, comme sur l'illustration.



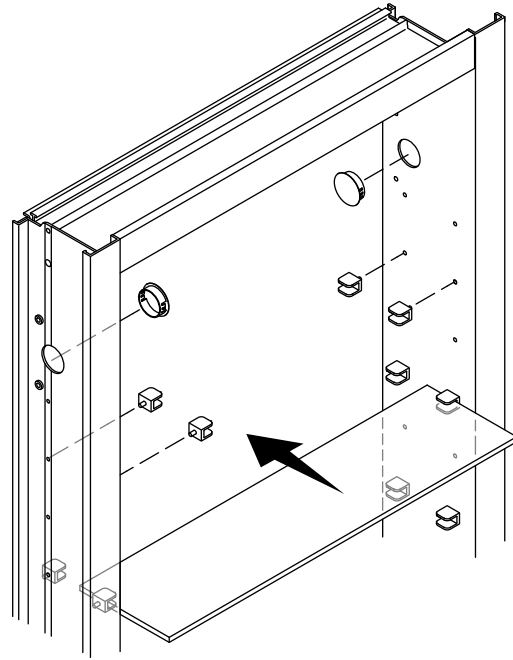
## 11. Connecter le câble de la porte

- Positionner le câble sur le côté du boîtier électrique qui sera le plus proche de la porte.
- Connecter le câble de la porte aux connecteurs d'alimentation électrique sur le boîtier électrique.
- Le câble doit se prolonger de 4" (102 mm) à partir du fond du boîtier électrique. Enrouler toute longueur excessive de câble à l'intérieur du boîtier.
- Installer l'œillet à fente autour du câble et dans la fente située sur l'arrière du boîtier électrique.
- Installer la fiche dans la fente ouverte restante située sur l'arrière du boîtier électrique.



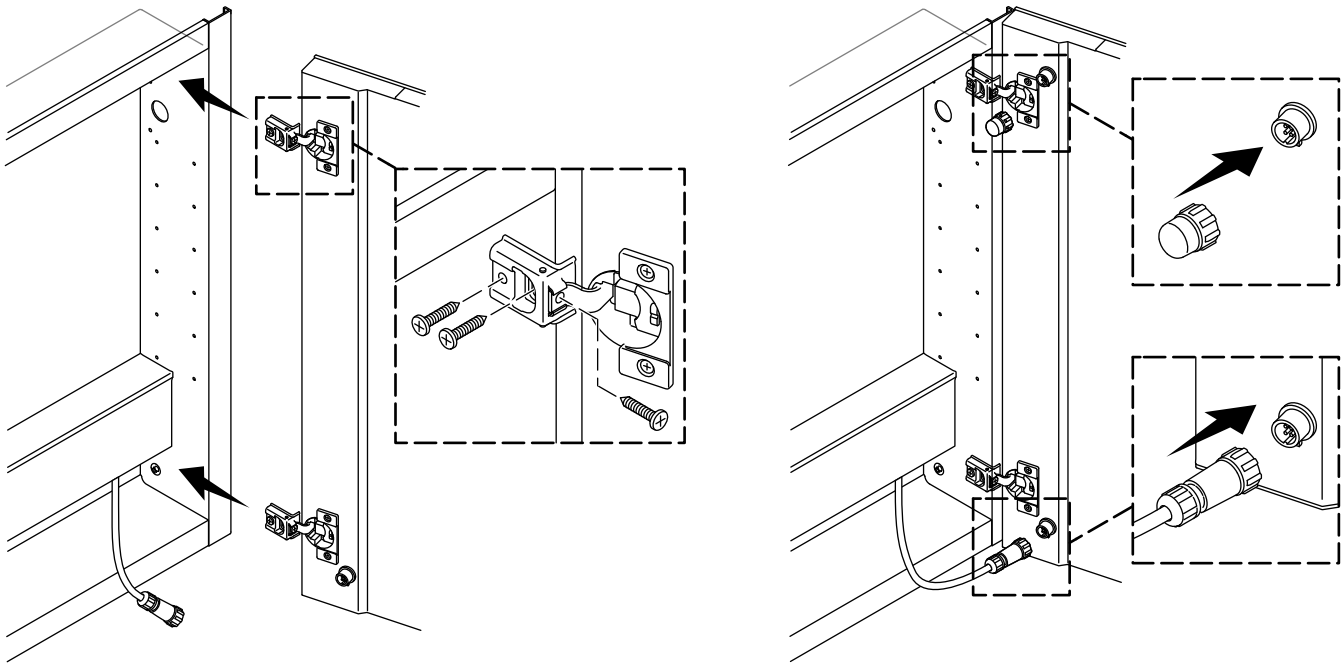
## 12. Installer le boîtier électrique

- Positionner le boîtier électrique dans l'armoire. S'assurer que le dessus du boîtier s'enclenche par-dessus chaque support.
- Fixer le boîtier en place avec les deux vis.



### 13. Installer les étagères

- Déterminer les emplacements des étagères et insérer les goupilles à fentes dans les trous situés sur les côtés de l'armoire.
- Installer les étagères entre les fentes des goupilles.
- Installer les capuchons sur les trous électriques non utilisés à proximité du dessus de l'armoire.



## 14. Installer la porte

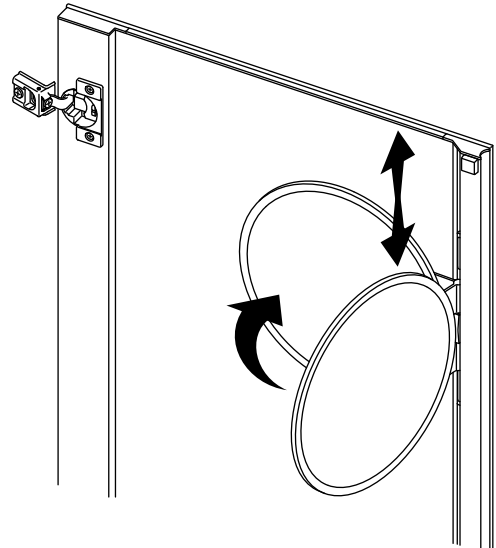
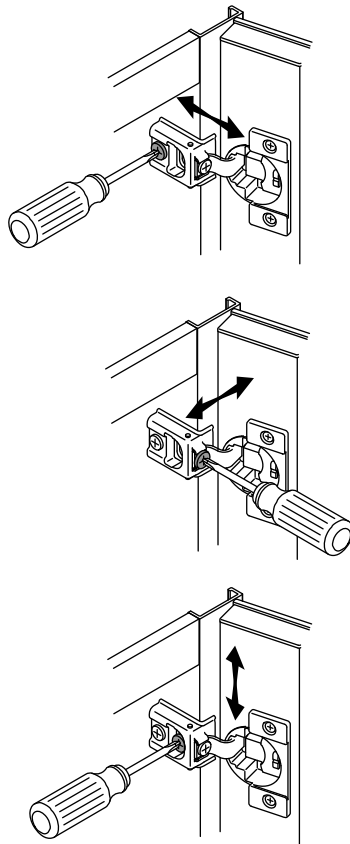
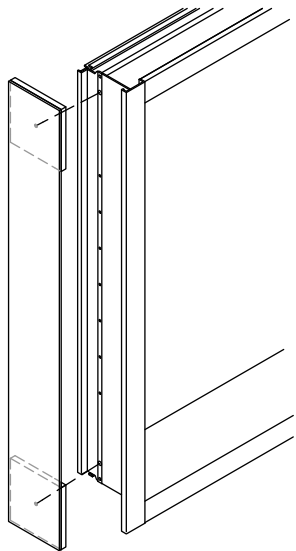
**IMPORTANT!** Ne jamais laisser la porte supportée avec une seule charnière attachée. Obtenir de l'aide pour supporter la porte.

**IMPORTANT!** S'assurer que le câble n'est pas pincé lorsque la porte de l'armoire est fermée.

**REMARQUE: Réattacher la charnière supérieure en premier.**

- Aligner les charnières sur les trous de charnières dans le côté de l'armoire.
- Tout en supportant la porte, fixer la charnière supérieure sur l'armoire avec les trois vis.
- Continuer à supporter la porte tout en fixant la charnière inférieure en place avec les trois vis.
- Aligner la patte située sur l'extrémité du câble avec la fente de l'adaptateur dans le bas de la porte.
- Enfoncer le connecteur du câble sur l'adaptateur.
- Aligner la patte se trouvant sur le capuchon avec la fente de l'adaptateur dans le haut de la porte, puis enfoncer en place.
- Vérifier que la porte s'ouvre et se ferme de manière adéquate. S'assurer que le câble n'est pas pincé.
- Si la porte se coince, effectuer des ajustements sur les charnières. Se référer à la section "Ajuster la porte".

## Montage en surface



## 15. Terminer l'installation



**ATTENTION: Risque de choc électrique.** Pour une installation avec montage en surface, le kit de miroir latéral K-99012 ou le kit en bois K-99675 est requis pour enclôsser le câblage électrique exposé.

- **Installation à montage en surface:** Installer le kit de miroir latéral K-99012 ou le kit en bois K-99675 pour enclôsser le câblage électrique exposé.

### Ajuster la porte

- Les charnières peuvent être ajustées pour assurer une fonctionnalité et un alignement appropriés de la porte.
- Se référer à l'illustration ci-dessus et noter l'emplacement du tournevis pour l'ajustement souhaité.

### Ajuster le miroir

**ATTENTION: Risque d'endommagement du produit.** Tourner le miroir vers l'intérieur, à ras de la porte, avant de fermer la porte.

- Faire glisser le miroir de maquillage vers le haut ou vers le bas, à la hauteur souhaitée.
- Tourner le miroir **vers l'intérieur, vers la porte**, lorsqu'il n'est pas utilisé.

## Entretien et nettoyage

Pour obtenir les meilleurs résultats possibles, prendre ce qui suit en considération lors de l'entretien de votre produit KOHLER:

## Entretien et nettoyage (cont.)

**REMARQUE:** Un entretien et une maintenance périodiques doivent inclure une inspection de toutes les vis de charnières de la porte afin de s'assurer qu'elles sont bien serrées et engagées dans les trous de charnières.

- Ne pas utiliser des brosses en soies, des éponges abrasives ou des nettoyants abrasifs. Cela rayerait certaines surfaces.
- Ne pas laisser les nettoyants reposer sur les surfaces ou tremper sur celles-ci.

Pour obtenir des informations détaillées sur le nettoyage et les produits à considérer, consulter le site [www.kohler.com/clean](http://www.kohler.com/clean). Pour commander des informations sur l'entretien & le nettoyage, appeler le 1-800-456-4537.

## Garantie

### **GARANTIE LIMITÉE D'UN AN**

Les produits de plomberie KOHLER sont garantis contre tout vice de matériau et de fabrication pendant un an à partir de la date de l'installation.

Si un vice est découvert au cours d'une utilisation normale, Kohler Co. choisira, à sa discrétion, la réparation, le remplacement ou la rectification appropriée après inspection desdits vices par Kohler Co. pendant un (1) an à partir de la date d'installation. Kohler Co. n'est pas responsable des frais d'enlèvement ou d'installation. **L'utilisation de nettoyants à l'intérieur du réservoir annule la garantie.**

Pour obtenir le service de garantie, contacter Kohler Co., par l'intermédiaire du vendeur, plombier, centre de rénovation ou revendeur par internet, ou bien par écrit à l'adresse suivante Kohler Co., Attn.: Customer Care Center, 444 Highland Drive, Kohler, WI 53044, USA, ou appeler le 1-800-4-KOHLER (1-800-456-4537) à partir des É.-U. et du Canada, et le 001-800-456-4537 à partir du Mexique, ou consulter le site [www.kohler.com](http://www.kohler.com) aux É.-U., [www.ca.kohler.com](http://www.ca.kohler.com) à partir du Canada, ou [www.mx.kohler.com](http://www.mx.kohler.com) au Mexique.

**LES GARANTIES TACITES, Y COMPRIS CELLES DE COMMERCIALITÉ ET D'ADAPTATION À UN USAGE PARTICULIER, SONT EXPRESSÉMENT LIMITÉE À LA DURÉE DE LA PRÉSENTE GARANTIE. KOHLER CO. ET/OU LE REVENDEUR DÉCLINENT TOUTE RESPONSABILITÉ CONTRE LES DOMMAGES PARTICULIERS, ACCESSOIRES OU INDIRECTS.** Certains états et provinces ne permettent pas de limite sur la durée de la garantie tacite, ni l'exclusion ou la limite des dommages particuliers, accessoires ou indirects, et, par conséquent, lesdites limites et exclusions peuvent ne pas s'appliquer à votre cas. Cette garantie vous donne des droits juridiques particuliers. Vous pouvez également avoir d'autres droits qui varient d'un état ou d'une province à l'autre.

**Ceci constitue la garantie écrite exclusive de Kohler Co.**

# Guía de instalación y cuidado

## Botiquín, o gabinete con espejos, iluminado

### INSTRUCCIONES DE SEGURIDAD

#### Lea estas instrucciones antes de usar o de instalar este producto.



**ADVERTENCIA:** Al usar aparatos eléctricos siempre cumpla las precauciones básicas, incluidas las siguientes:



**ADVERTENCIA: Riesgo de sacudidas eléctricas.** Es necesario conectar a tierra los tomacorrientes dentro de la caja de alimentación eléctrica. Conecte solo a un circuito protegido por un interruptor de circuito con pérdida a tierra (GFCI)\* clase A, que proteja contra peligros de sacudida eléctrica de línea a tierra. Utilice un servicio de 120 V, 15 A.



**ADVERTENCIA: Riesgo de sacudidas eléctricas.** Un electricista calificado debe tender todo el cableado eléctrico del producto. La instalación incorrecta crea riesgo eléctrico y es posible que no cumpla los códigos locales de construcción y electricidad.



**ADVERTENCIA: Riesgo de sacudidas eléctricas.** Corte la electricidad en el interruptor de circuito o en la caja de fusibles antes de mover, probar, limpiar, o reparar este producto. Al desconectar, el suministro eléctrico queda sin corriente eléctrica, lo que elimina el riesgo de que se produzca una sacudida eléctrica.



**PRECAUCIÓN: Riesgo de sacudidas eléctricas.** Riesgo de sacudidas eléctricas. Tal vez sea necesario cambiar la ubicación del cableado eléctrico.

**AVISO:** Cumpla todos los códigos locales de construcción, eléctricos y de plomería.

**¡IMPORTANTE!** Se requiere un atenuador. Este producto es compatible con la mayoría de los atenuadores residenciales para focos o bombillas incandescentes y LED atenuables. Para obtener los mejores resultados de atenuación, se recomienda usar un atenuador digital programable desvaneciente para iluminación LED con capacidad nominal mínima de 150 W.

\*Fuera de Estados Unidos, es posible que este dispositivo se conozca como dispositivo de corriente residual (RCD, por sus siglas en inglés).

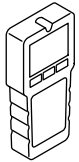
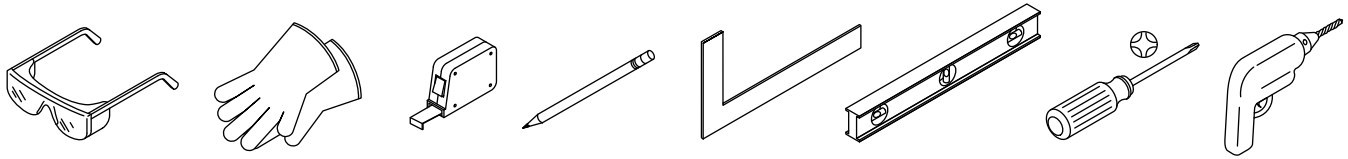
### Especificaciones

#### Servicio eléctrico

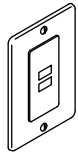
Caja de alimentación eléctrica	120 V, 60 Hz, 15 A Máx
Iluminación	120 V, 60 Hz, 0.8 A



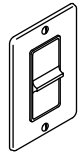
## Herramientas y materiales



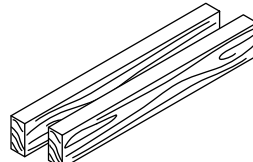
Localizador de postes



Tomacorriente protegido GFCI/RCD



Atenuador



Maderos de 2x4 (solo montaje empotrado)

### Más:

- Cortacables/Pelacables
- Brocas surtidas
- Herramientas para estructuras de postes de madera y paneles de yeso
- Herrajes para estructuras de postes de madera y paneles de yeso

## Antes de comenzar



**PRECAUCIÓN: Riesgo de lesiones personales.** Los botiquines, o gabinetes con espejo, son muy pesados. Pida ayuda para levantar el gabinete o botiquín.



**PRECAUCIÓN: Riesgo de sacudidas eléctricas.** En instalaciones de montaje en superficie se necesita el juego de espejos laterales K-99012 o el juego de madera K-99675 para encerrar el cableado eléctrico expuesto.

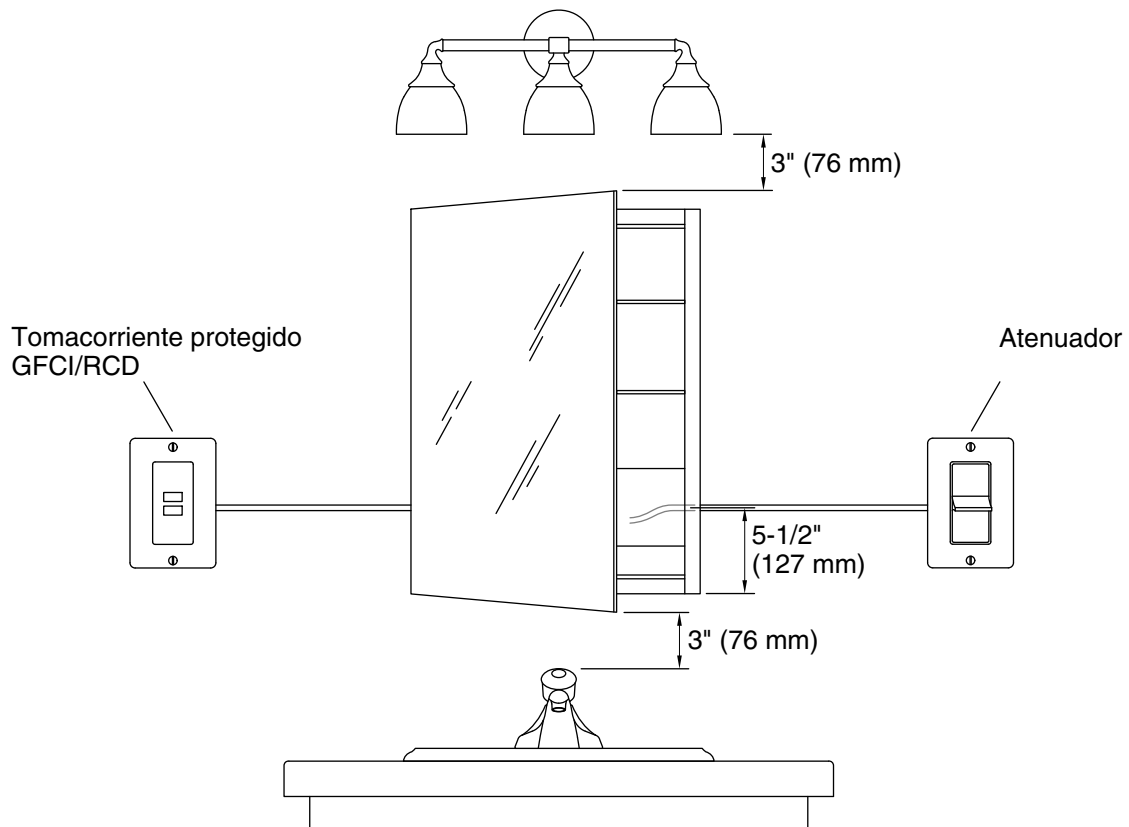
**AVISO: Riesgo de daños al producto o a la propiedad.** La ubicación del gabinete es crítica. Asegúrese de que la puerta libre todos los obstáculos (como grifería o unidades de iluminación), y de que los obstáculos detrás de la pared acabada no resulten dañados al cortar o taladrar.

**¡IMPORTANTE!** Cambie el tendido de los cables eléctricos o la tubería de suministro de agua de la cavidad de la pared. Si hay tubos de desagüe o de venteo, o si la pared es de carga, consulte a un profesional antes de continuar.

**¡IMPORTANTE!** Este gabinete está diseñado para que la puerta abra a la derecha o a la izquierda (excepto K-99011-TL).

**NOTA: Instalación de montaje empotrado:** La cavidad en la pared debe tener un marco estructural. El gabinete debe quedar fijo a los postes del marco estructural.

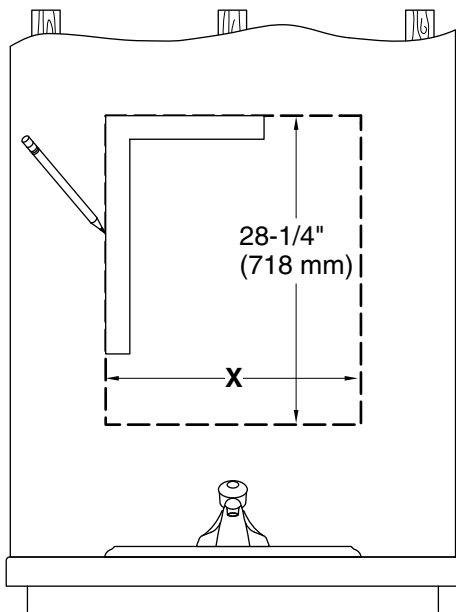
- Cumpla todos los códigos locales de construcción.
- Este botiquín o gabinete con espejos es para instalaciones empotradas o de montaje en superficie. Siga las instrucciones correspondientes a la instalación que usted elija.
- La apariencia de su botiquín o gabinete con espejos puede diferir del botiquín que se ilustra. Las instrucciones de instalación aún aplican.
- Esta instalación es más sencilla cuando se hace entre dos personas.
- Al determinar la altura del producto, verifique que las puertas libren todos los obstáculos (como grifería o unidades de iluminación). Se requiere una distancia mínima de 3" (76 mm).



## Información de diagrama de instalación

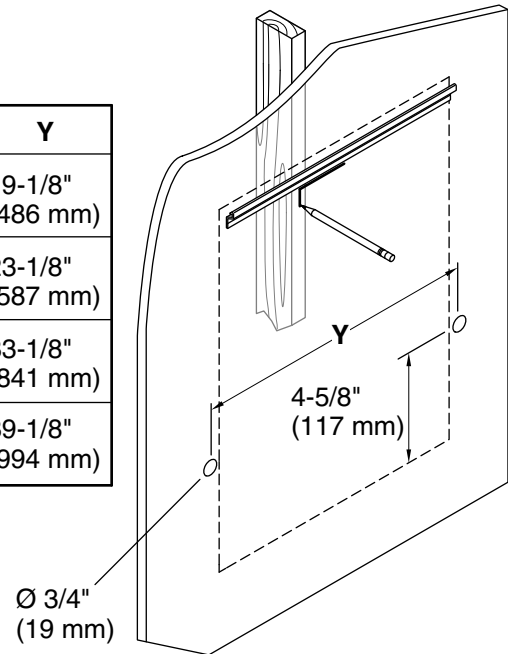
- Al determinar la altura del producto, verifique que la puerta libre todos los obstáculos (como grifería o unidades de iluminación). Se requiere una distancia mínima de 3" (76 mm).
- Plan para ubicar el atenuador y el tomacorriente con GFCI/RCD. Los cables eléctricos deben entrar al gabinete a 5-1/2" (127 mm) de la parte inferior del gabinete.

### Instalación de montaje empotrado



### Instalación de montaje en superficie

	X	Y
<b>K-99003</b>	19-1/2" (495 mm)	19-1/8" (486 mm)
<b>K-99007</b>	23-1/2" (597 mm)	23-1/8" (587 mm)
<b>K-99009</b>	33-1/2" (851 mm)	33-1/8" (841 mm)
<b>K-99011</b>	39-1/2" (1003 mm)	39-1/8" (994 mm)



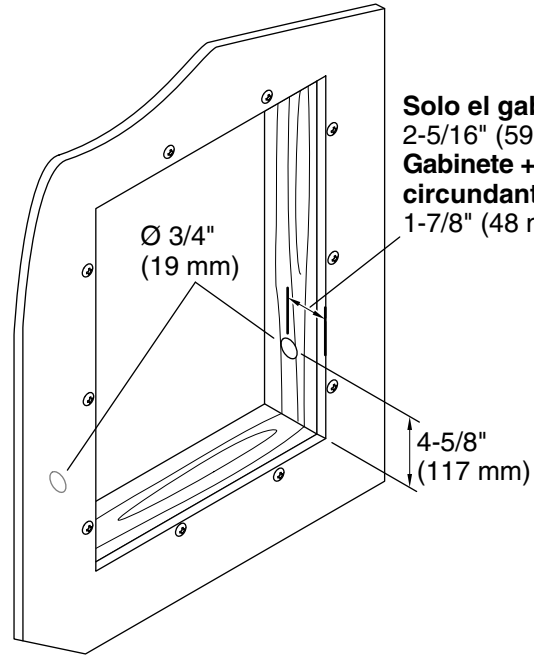
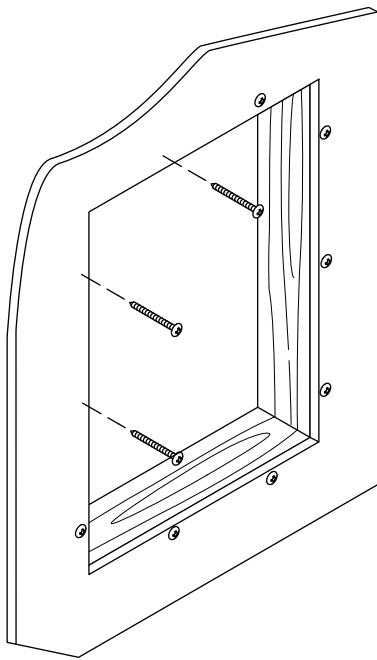
## 1. Preparación

### Instalación de montaje empotrado

- Mida y marque la abertura recortada de acuerdo a su modelo.

### Instalación de montaje en superficie

- Marque la posición de la barra de montaje y de los postes de madera.
- Determine la ubicación de los orificios para los cables eléctricos de acuerdo a las dimensiones que se indican arriba para su producto.



## 2. Montaje empotrado – Construya el marco estructural

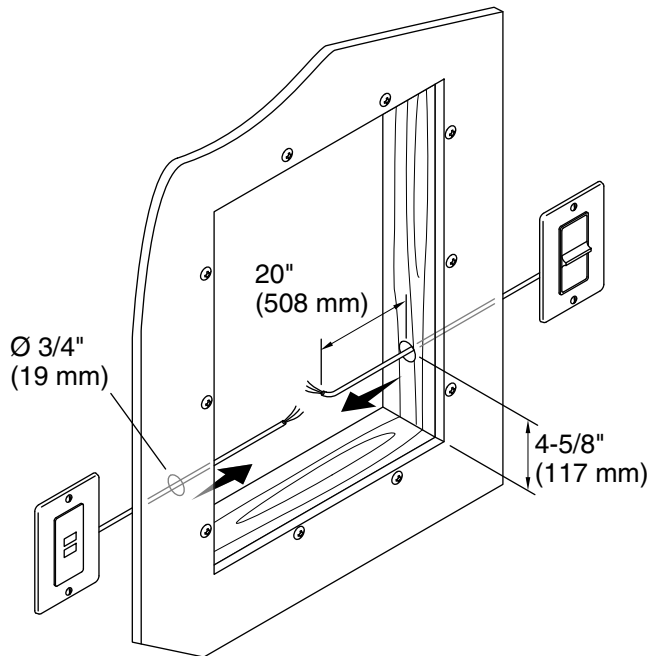
**NOTA:** Las siguientes instrucciones son solo para montaje empotrado. En instalaciones de montaje en superficie, consulte las secciones de "Montaje en superficie".

- Con una sierra caladora eléctrica o manual retire con cuidado el material de la pared acabada de la abertura recortada marcada.
- Haga un marco estructural en el perímetro de la cavidad en la pared. De ser necesario, instale un dintel.

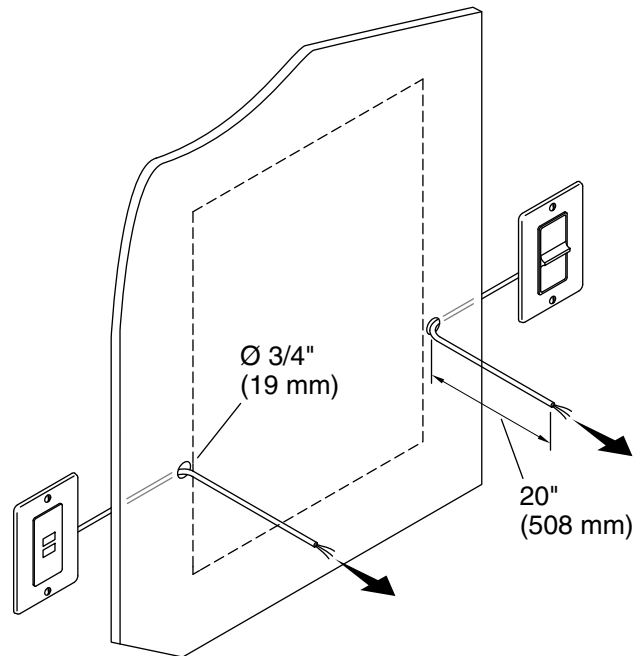
**¡IMPORTANTE!** El lugar de los orificios en el marco estructural es crítico para la alineación de los cables eléctricos con el gabinete. Si planea instalar una estructura circundante opcional, use las dimensiones especificadas para el gabinete más la estructura circundante.

- **En instalaciones solo de gabinete:** Marque el centro del orificio a 4-5/8" (117 mm) de la parte inferior de la cavidad y a 2-5/16" (59 mm) de la pared acabada.
- **En instalaciones de gabinete más estructura circundante:** Marque el centro del orificio a 4-5/8" (117 mm) de la parte inferior de la cavidad y a 1-7/8" (48 mm) de la pared acabada.
- Taladre un orificio de 3/4" (19 mm) a cada lado de la cavidad con marco estructural en los lugares marcados.

### Instalación de montaje empotrado



### Instalación de montaje en superficie



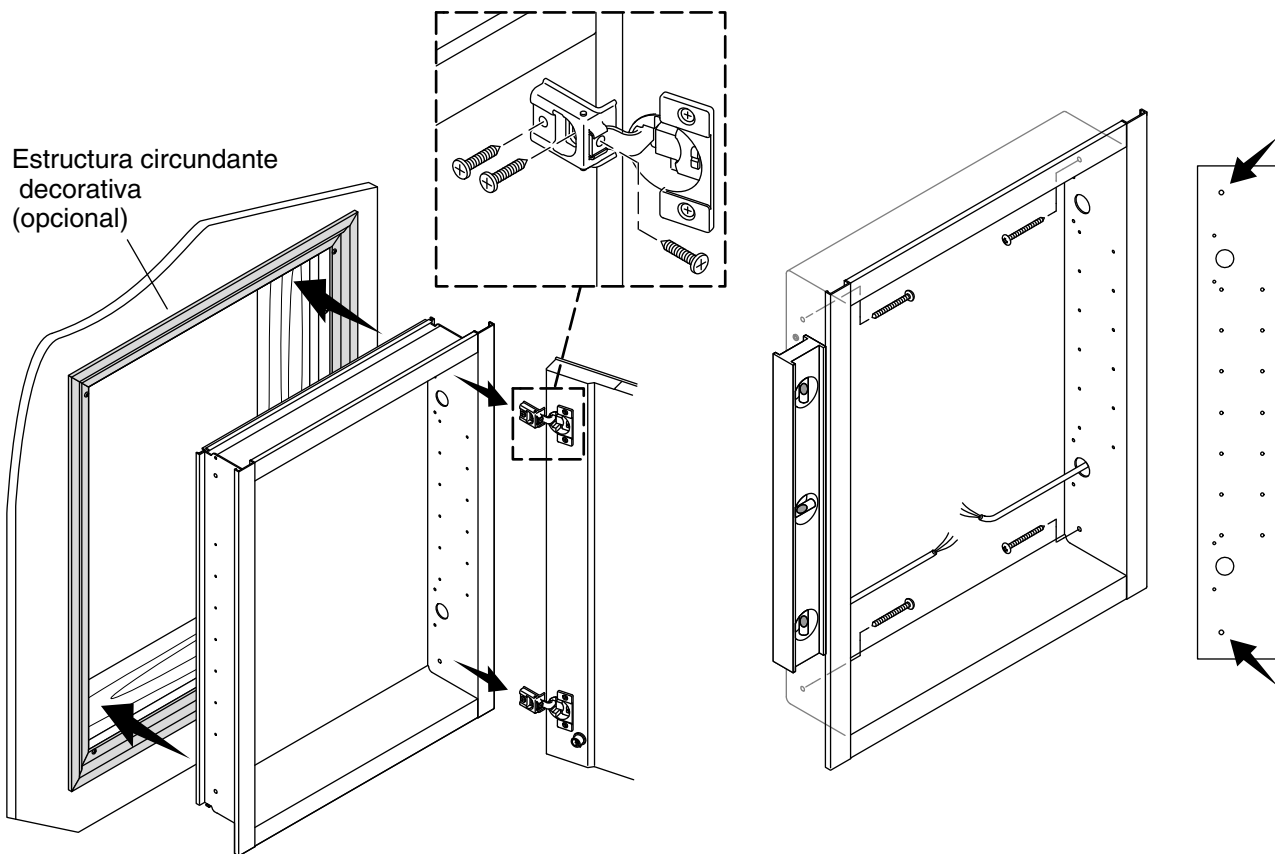
## 3. Tienda el cableado

### Instalación de montaje empotrado

- Taladre un orificio de  $3/4''$  (19 mm) a cada lado de cavidad con marco estructural, a  $4-5/8''$  (117 mm) de la parte inferior de la cavidad.
- Tienda el cableado eléctrico del tomacorriente protegido con GFCI/RCD y del atenuador a través de los orificios en el marco estructural.
- El cableado debe sobresalir por lo menos 20" (508 mm) de cada orificio.

### Instalación de montaje en superficie

- Taladre dos orificios de  $3/4''$  (19 mm) para los lugares de los cables eléctricos.
- Tienda el cableado eléctrico del tomacorriente protegido con GFCI/RCD y del atenuador a través de los orificios en la pared acabada.
- El cableado debe sobresalir por lo menos 20" (508 mm) de cada orificio.



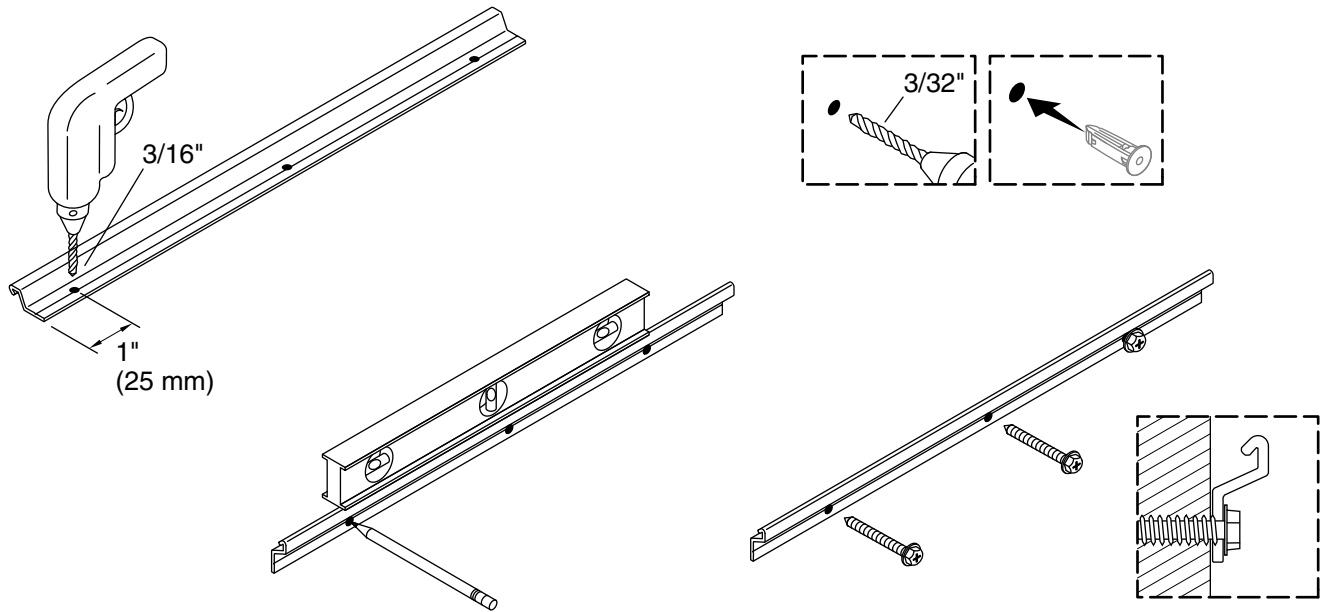
#### 4. Montaje empotrado – Instale el gabinete

**NOTA:** Las siguientes instrucciones son solo para montaje empotrado. En instalaciones de montaje en superficie, consulte las secciones de "Montaje en superficie".

- Si compró la estructura circundante, instálela antes de instalar el gabinete con espejo o botiquín. Siga las instrucciones contenidas en la estructura circundante.

**¡IMPORTANTE!** No deje la puerta soportada solo por una bisagra. Obtenga ayuda para soportar la puerta.

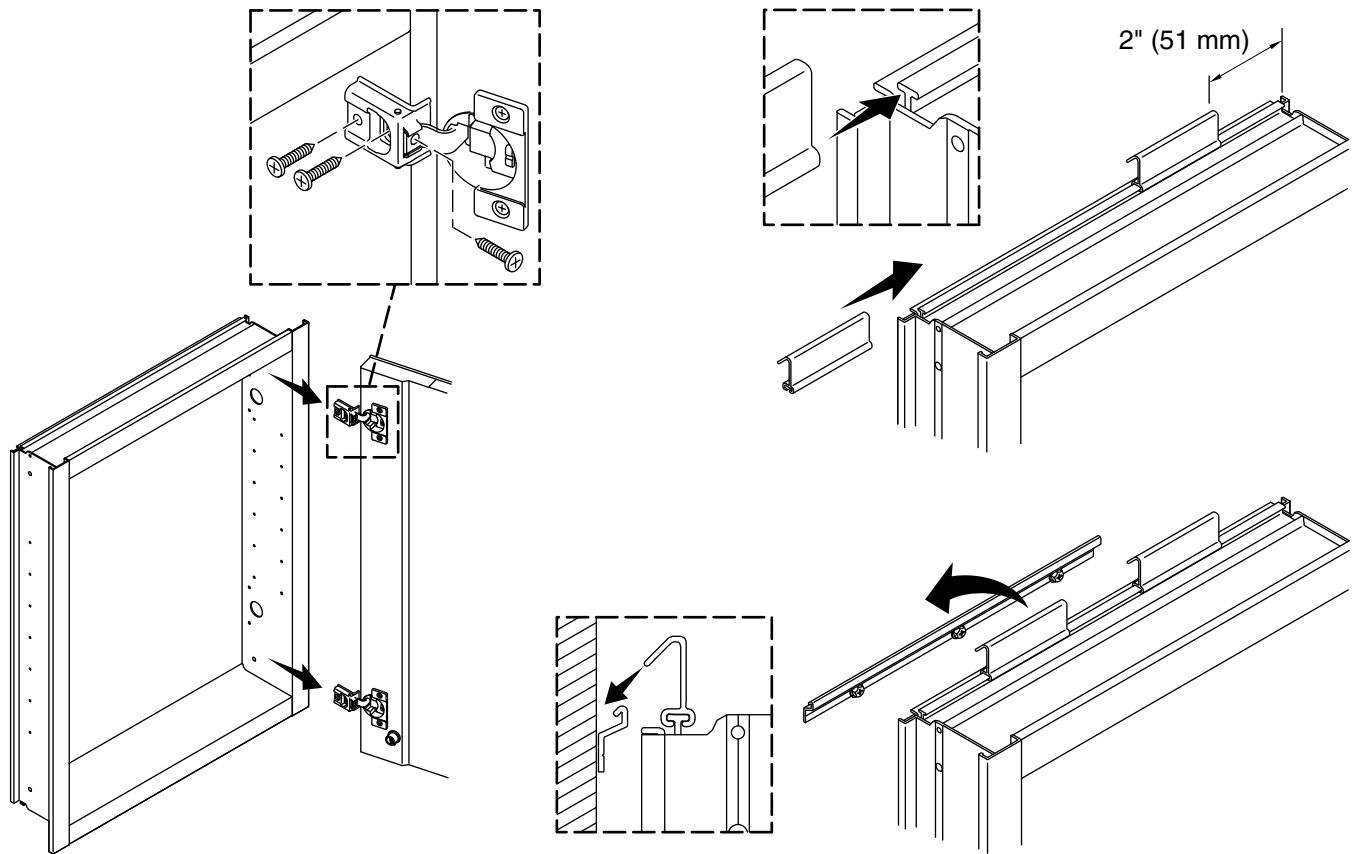
- Abra y desmonte las puertas. Mientras soporta la puerta, primero retire los tornillos de la ménsula inferior.
- Con ayuda, coloque y sostenga el gabinete en la abertura recortada.
- Monte el gabinete, o botiquín, en los postes de madera con los tornillos que se incluyen a través de cada uno de los cuatro orificios de montaje.



## 5. Montaje en superficie – Instale la barra de montaje

**NOTA:** Las siguientes instrucciones son solo para montaje en superficie. En instalaciones de montaje empotrado, consulte las secciones de "Montaje empotrado".

- Con una broca de 3/16", taladre tres orificios en la ranura del soporte de montaje. Un orificio debe quedar en donde haya un poste de madera.
- Marque los lugares de los orificios en la pared.
- Taladre orificios en los lugares marcados en la pared.
- Inserte anclajes (no provistos) donde sea necesario.
- Fije la barra de montaje con tres tornillos de cabeza hexagonal de 2" o con los tornillos que se incluyen con los anclajes.



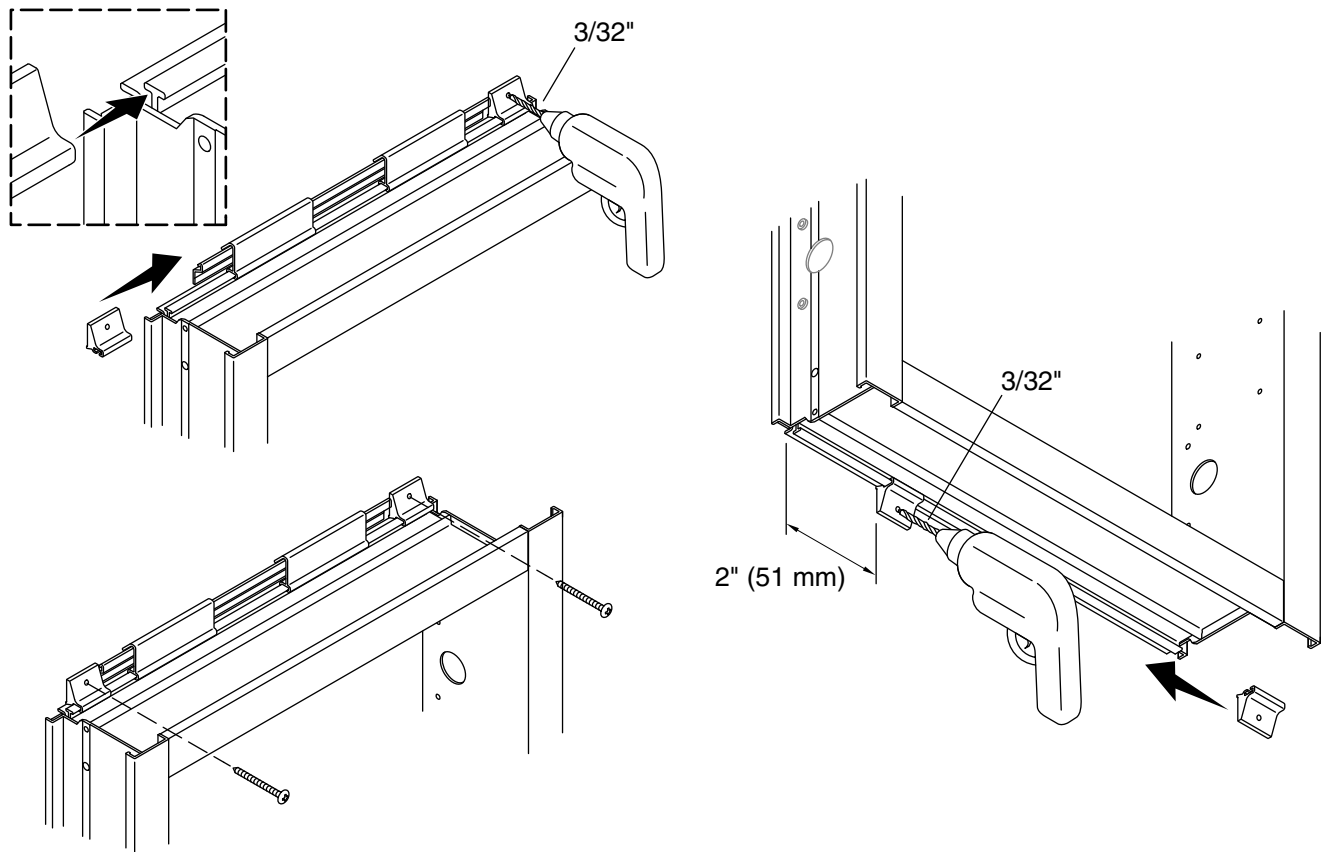
## 6. Montaje en superficie – Cuelgue el gabinete

**NOTA:** Las siguientes instrucciones son solo para montaje en superficie. En instalaciones de montaje empotrado, consulte las secciones de "Montaje empotrado".

**¡IMPORTANTE!** No deje la puerta soportada solo por una bisagra. Obtenga ayuda para soportar la puerta.

- Abra y desmonte las puertas. Mientras soporta la puerta, primero retire los tornillos de la ménsula inferior.
- Deslice los ganchos de suspensión en la ranura en T superior.
- Coloque cada uno de los ganchos a 2" (51 mm) de los extremos del gabinete.
- Levante el gabinete a la barra de montaje. Asegúrese de que los ganchos de suspensión se enganchen en la barra.

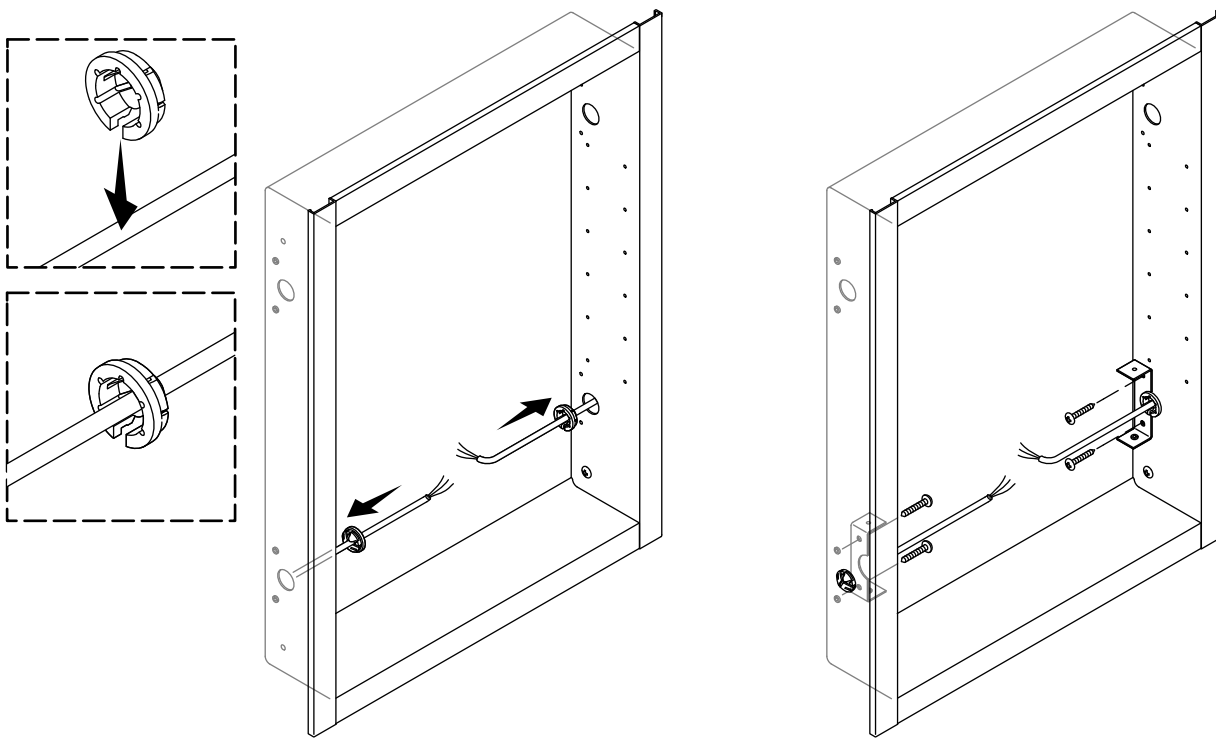




## 7. Montaje en superficie – Fije el gabinete

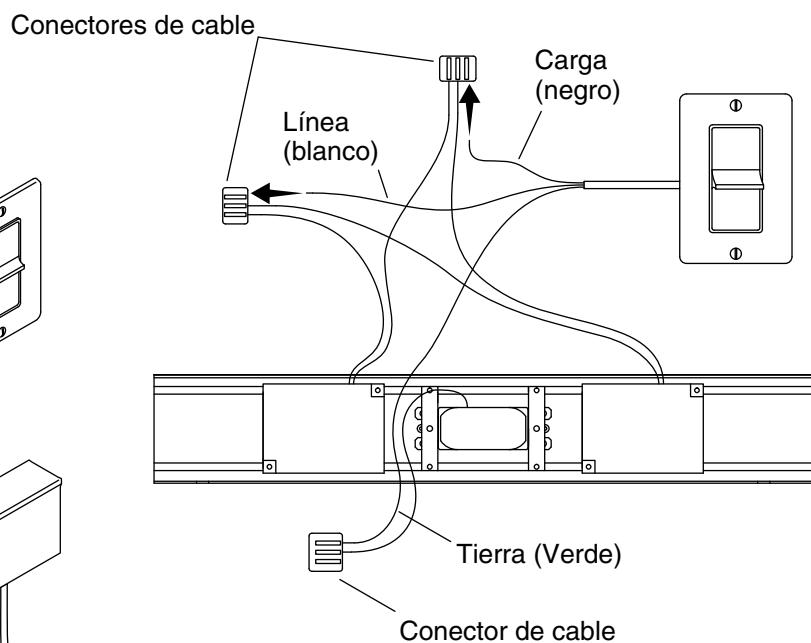
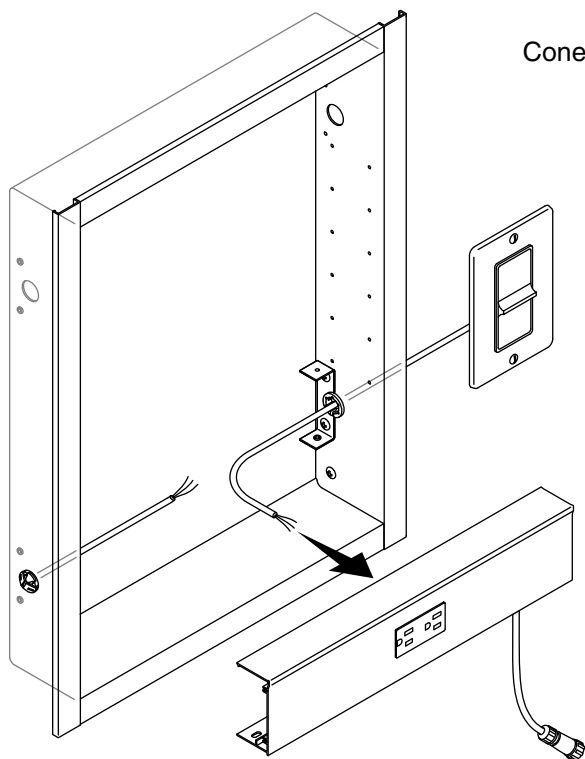
**NOTA:** Las siguientes instrucciones son solo para montaje en superficie. En instalaciones de montaje empotrado, consulte las secciones de "Montaje empotrado".

- Deslice un clip en cada uno de los extremos de la ranura en T superior.
- Asegúrese de que el gabinete quede centrado en la pared.
- Con una broca de 3/32", taladre orificios guía en la pared.
- Si se necesitan anclajes, retire el gabinete e instale anclajes en la pared en los lugares de los orificios guía.
- Fije los clips con tornillos de 1-1/2".
- Deslice dos clips dentro de la ranura en T inferior.
- Coloque cada uno de los clips a 2" (51 mm) de los extremos del gabinete.
- Con una broca de 3/32", taladre orificios guía en la pared.
- Si se necesitan anclajes, retire el gabinete e instale anclajes en la pared en los lugares de los orificios guía.
- Fije los clips con tornillos de 1-1/2".



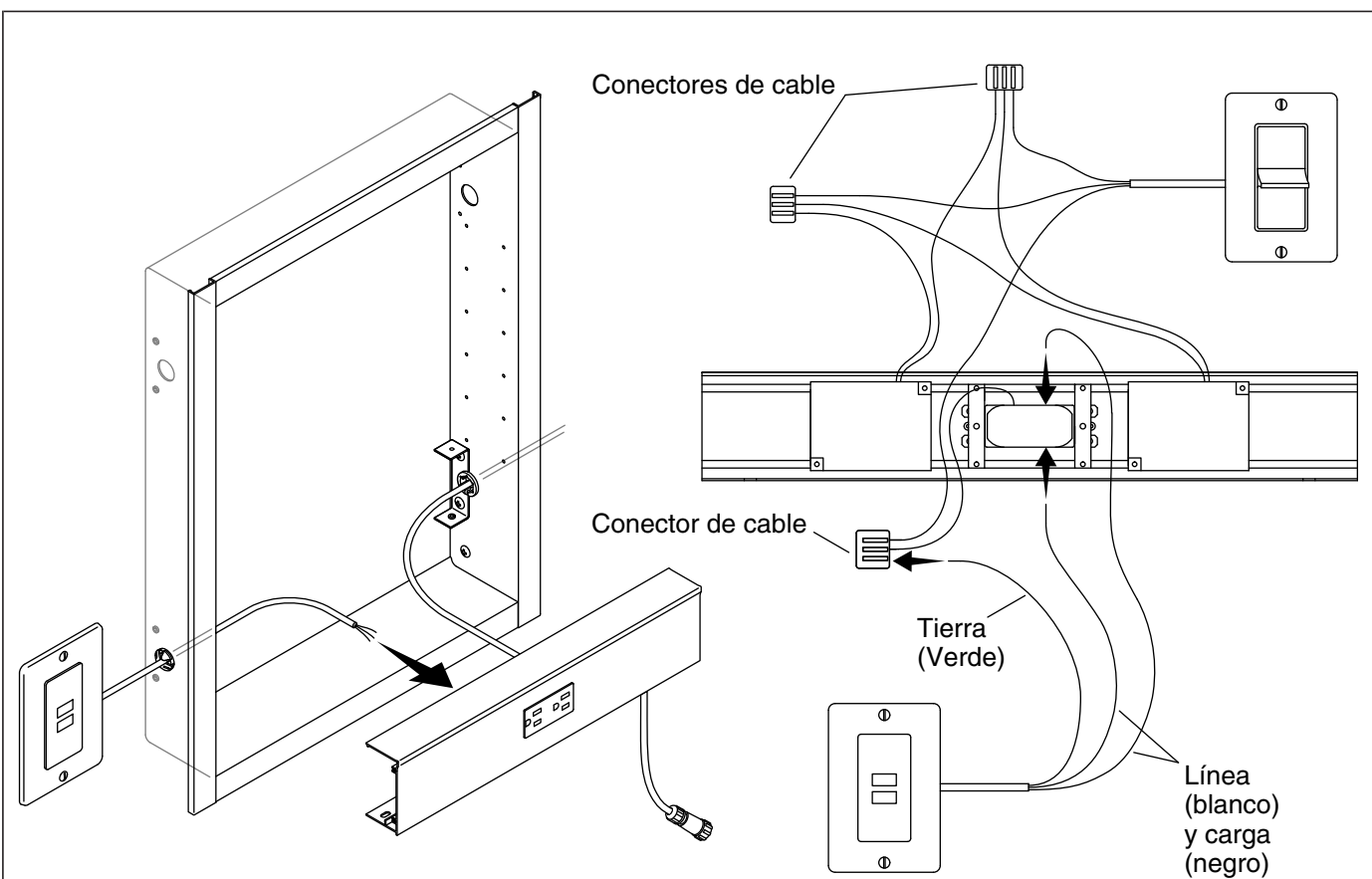
## 8. Instale los soportes

- Coloque un empaque para cable en ambos cables eléctricos, cerca del orificio en cada panel lateral.
- Oprima cada uno de los empaques dentro de cada orificio.
- Alinee los soportes con los orificios de los paneles laterales, como se muestra.
- Fije cada soporte con dos tornillos. Evite pellizcar los cables eléctricos mientras fija los soportes.



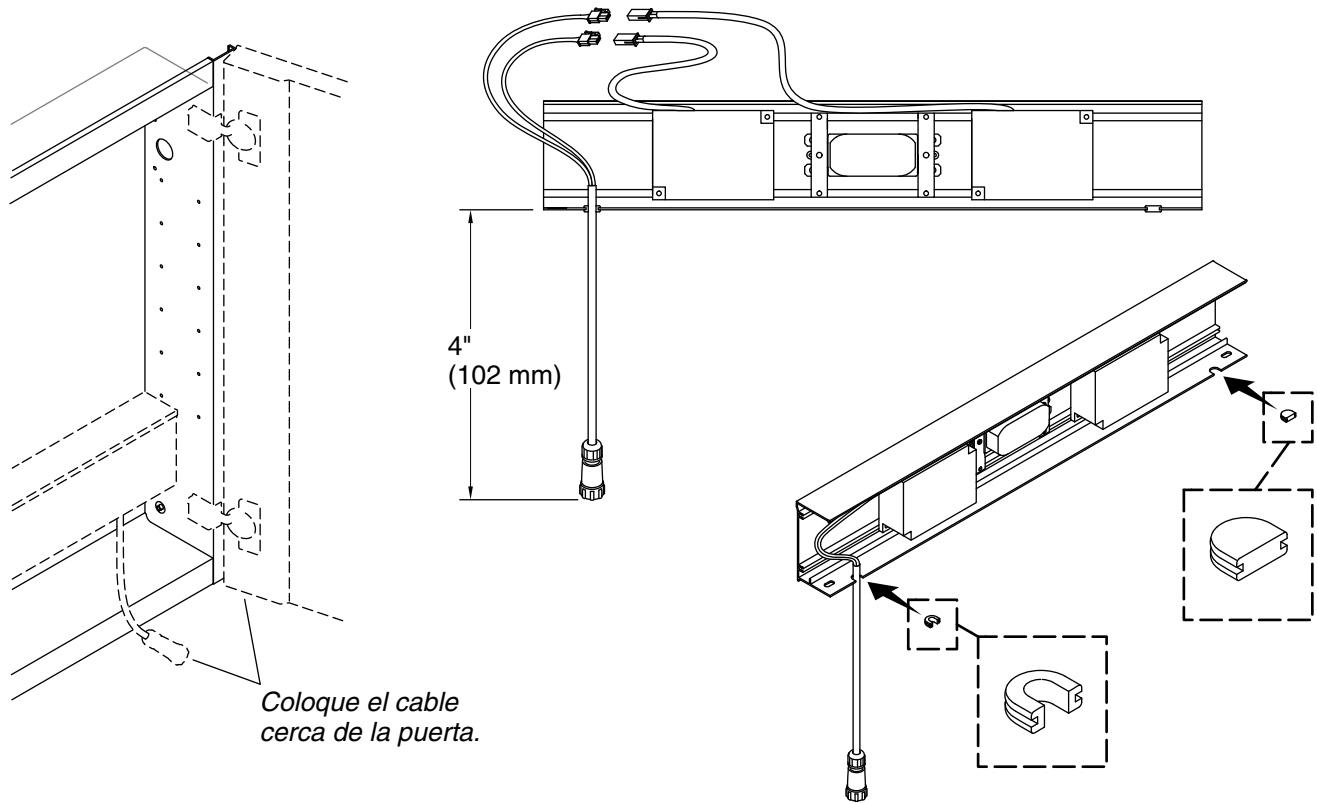
## 9. Conecte el atenuador

- Conecte el cableado eléctrico del atenuador a los conectores adecuados en la caja de alimentación eléctrica, como se muestra.



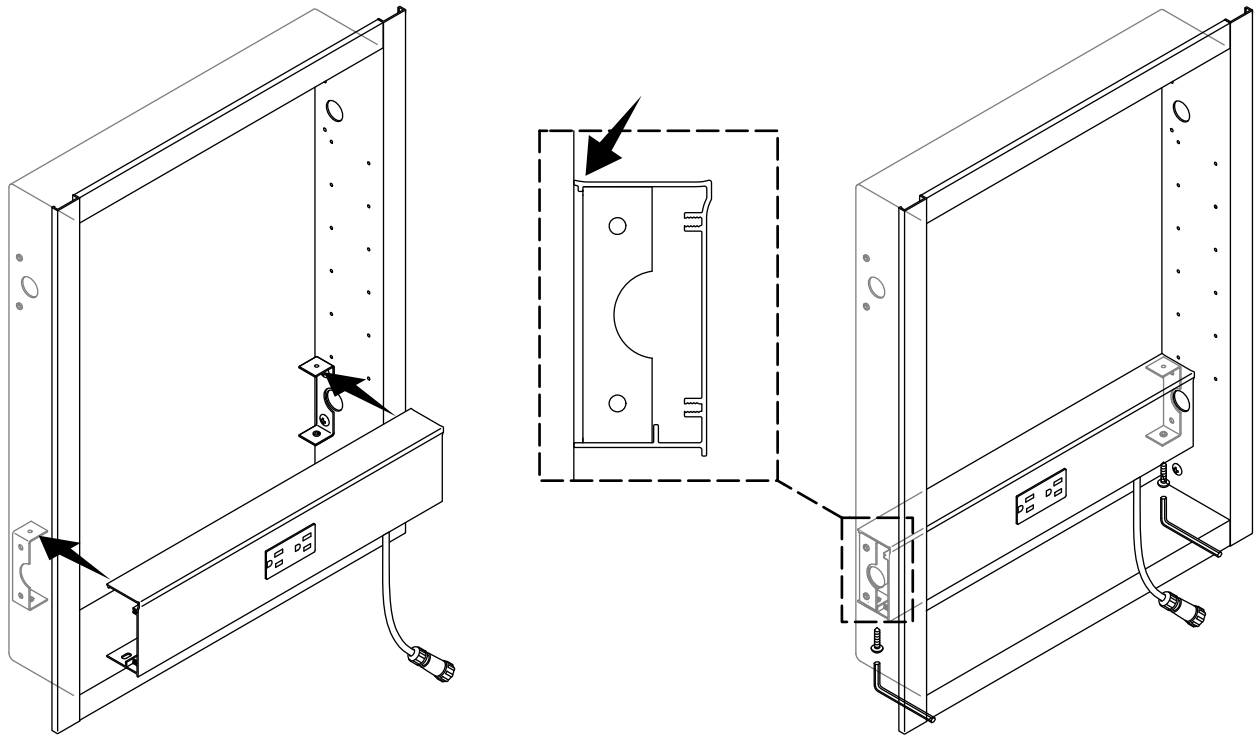
## 10. Conecte el tomacorriente protegido con GFCI/RCD

- Conecte el cableado eléctrico del tomacorriente protegido con GFCI/RCD a los conectores adecuados en la caja de alimentación eléctrica, como se muestra.



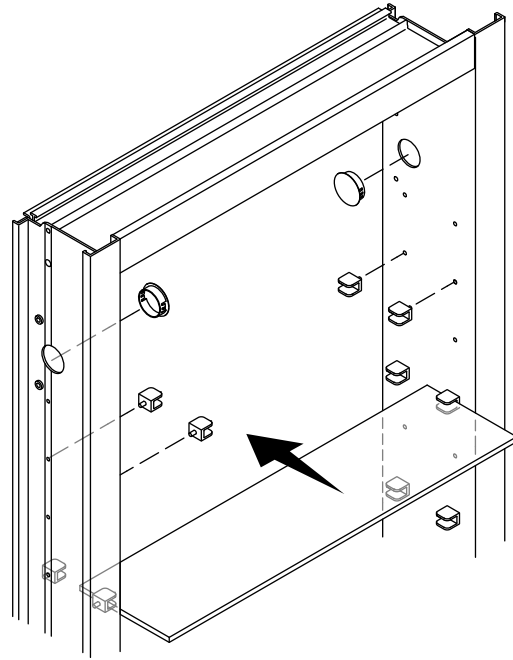
## 11. Conecte el cable de la puerta

- Coloque el cable en el lado de la caja de alimentación eléctrica que quedará más cercana a la puerta.
- Conecte el cable de la puerta a los conectores de suministro eléctrico en la caja de alimentación eléctrica.
- El cable debe sobresalir 4" (102 mm) de la parte inferior de la caja de alimentación eléctrica. Enrolle el exceso de cable dentro de la caja.
- Instale el pasahilos ranurado alrededor del cable y dentro de la ranura en la parte posterior de la caja de alimentación eléctrica.
- Instale el tapón en la ranura abierta restante en la parte posterior de la caja de alimentación eléctrica.



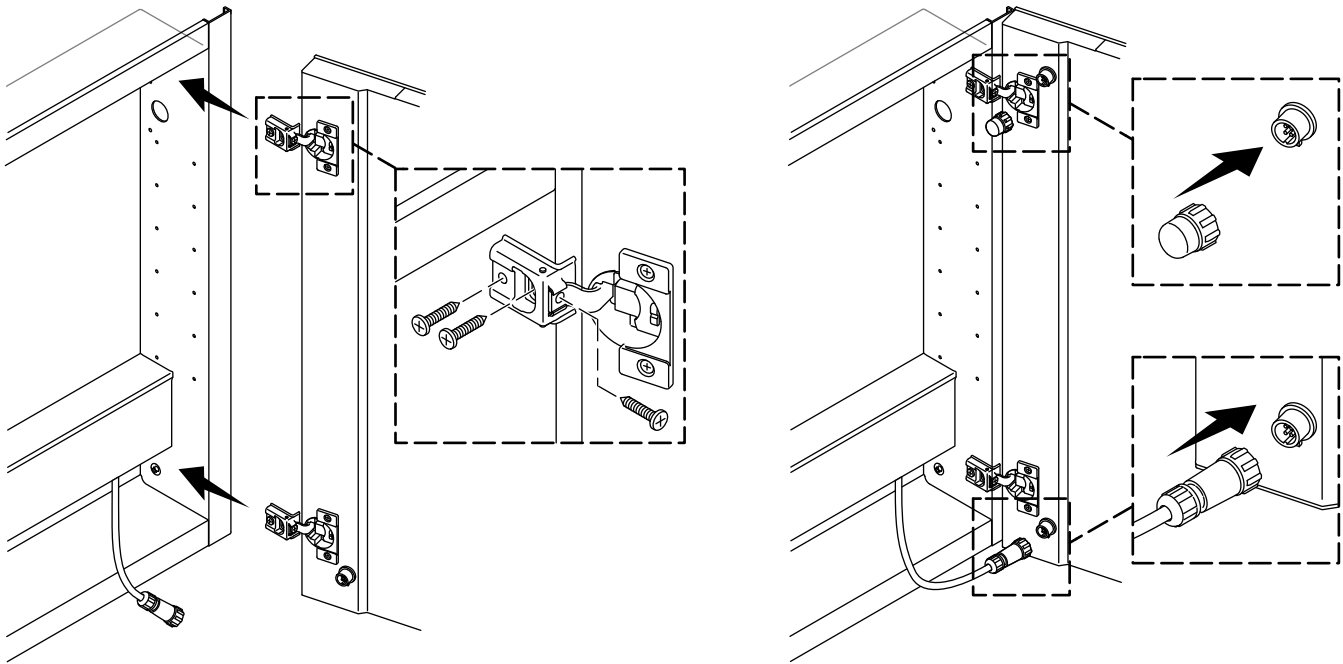
## 12. Instale la caja de alimentación eléctrica

- Coloque la caja de alimentación eléctrica dentro del gabinete. Asegúrese de que la parte superior de la caja se enganche sobre cada soporte.
- Fije la caja en su lugar con los dos tornillos.



### 13. Instale las repisas

- Determine los lugares para las repisas e introduzca las clavijas ranuradas dentro de los orificios en las paredes laterales del gabinete.
- Instale las repisas entre las ranuras de las clavijas.
- Instale las tapas de los orificios eléctricos no utilizados cerca de la parte superior del gabinete.



## 14. Instale la puerta

**¡IMPORTANTE!** No deje la puerta soportada solo por una bisagra. Obtenga ayuda para soportar la puerta.

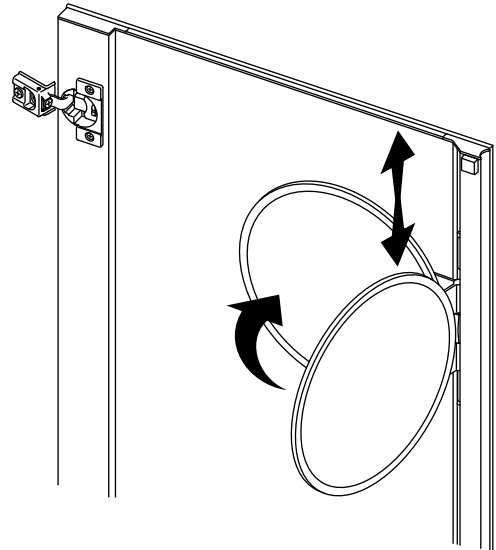
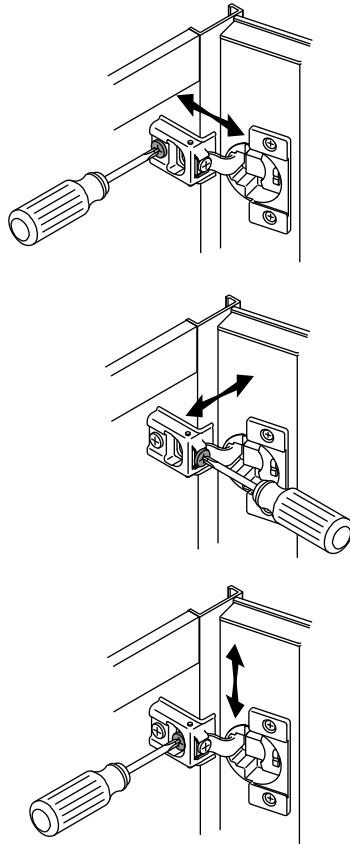
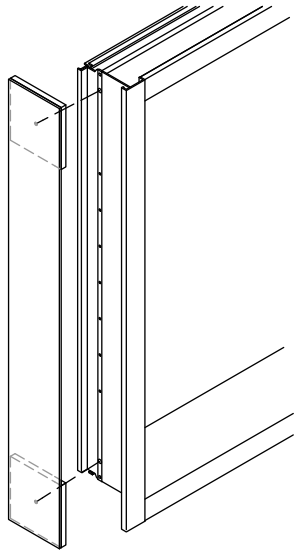
**¡IMPORTANTE!** Asegúrese de que el cable no quede prensado al cerrar la puerta del gabinete.

**NOTA:** Vuelva a enganchar la bisagra superior primero.

- Alinee las bisagras a los orificios para bisagras en un lado del gabinete.
- Mientras soporta la puerta, fije la bisagra superior al gabinete con los tres tornillos.
- Continúe soportando la puerta mientras fija la bisagra inferior con los tres tornillos.
- Alinee la lengüeta en el extremo del cable con la ranura en el adaptador en la parte inferior de la puerta.
- Presione el conector de cable contra el adaptador.
- Alinee la lengüeta en la tapa con la ranura en el adaptador en la parte superior de la puerta, y luego oprímala en su lugar.
- Abra y cierre la puerta para verificar que funcione sin problemas. Asegúrese de que el cable no quede pellizcado.
- Si la puerta se atora, ajuste las bisagras. Consulte la sección "Ajuste la puerta".



## Montaje en superficie



## 15. Termine de hacer la instalación



**PRECAUCIÓN: Riesgo de sacudidas eléctricas.** En instalaciones de montaje en superficie se necesita el juego de espejos laterales K-99012 o el juego de madera K-99675 para encerrar el cableado eléctrico expuesto.

- En instalaciones de montaje en superficie: Instale el juego de espejos laterales K-99012 o el juego de madera K-99675 para encerrar el cableado eléctrico expuesto.

### Ajuste la puerta

- Es posible ajustar las bisagras para que la puerta quede bien alineada y funcione bien.
- Consulte la ilustración anterior y fíjese dónde debe colocar el destornillador para obtener el ajuste deseado.

### Ajuste el espejo

**PRECAUCIÓN: Riesgo de daños al producto.** Gire el espejo hacia dentro, al ras con la puerta, antes de cerrar la puerta.

- Deslice el espejo para maquillaje hacia arriba o hacia abajo a la altura deseada.
- Gire el espejo **hacia dentro en dirección a la puerta** cuando no lo esté usando.

## Cuidado y limpieza

Para obtener los mejores resultados, tenga presente lo siguiente al limpiar su producto KOHLER:

**NOTA:** El cuidado periódico y el mantenimiento deben incluir revisar todos los tornillos de las bisagras en la puerta para asegurarse de que estén apretados en los orificios de las bisagras.

## Cuidado y limpieza (cont.)

- No use cepillos de cerdas, esponjas abrasivas ni limpiadores abrasivos. Podrían rayar algunas superficies.
- No deje los limpiadores mucho tiempo en las superficies.

Para obtener información detallada de limpieza y de productos a considerar, visite [www.kohler.com/clean](http://www.kohler.com/clean). Para solicitar información sobre el cuidado y la limpieza, llame al 1-800-456-4537.

## Garantía

### GARANTÍA LIMITADA DE UN AÑO

Se garantizan los productos de plomería KOHLER contra defectos de material y mano de obra durante un año a partir de la fecha de instalación.

Kohler Co., a su criterio, reparará, reemplazará o realizará los ajustes pertinentes en los casos en que la inspección realizada por Kohler Co. determine que dichos defectos hayan ocurrido durante el uso normal en el transcurso de un (1) año a partir de la fecha de instalación. Kohler Co. no se hace responsable de costos de desinstalación o de instalación. **El uso de limpiadores de inodoro que se colocan dentro del tanque anula la garantía.**

Para obtener el servicio de garantía, comuníquese con Kohler Co. a través de su distribuidor, contratista de plomería, centro de remodelación o distribuidor por Internet, o escriba a Kohler Co., Atención: Customer Care Center, 444 Highland Drive, Kohler, WI 53044, EE.UU., o llame al 1-800-4-KOHLER (1-800-456-4537) desde los EE.UU. y Canadá, o al 001-800-456-4537 desde México, o visite [www.kohler.com](http://www.kohler.com) desde los EE.UU., [www.ca.kohler.com](http://www.ca.kohler.com) desde Canadá, o [www.mx.kohler.com](http://www.mx.kohler.com) en México.

**TODA GARANTÍA IMPLÍCITA, INCLUIDA LA DE COMERCIALIZACIÓN E IDONEIDAD DEL PRODUCTO PARA UN USO DETERMINADO, SE LIMITA EXPRESAMENTE A LA DURACIÓN DE ESTA GARANTÍA. KOHLER CO. Y/O EL VENDEDOR DESCARGAN TODA RESPONSABILIDAD POR CONCEPTO DE DAÑOS PARTICULARES, INCIDENTALES O INDIRECTOS.** Algunos estados/provincias no permiten limitaciones en cuanto a la duración de una garantía implícita o a la exclusión o limitación de daños particulares, incidentales o indirectos, por lo que es posible que estas limitaciones y exclusiones no se apliquen a su caso. Esta garantía le otorga ciertos derechos legales específicos. Además, usted también puede tener otros derechos que varían de estado a estado y de provincia a provincia.

**Esta es la garantía exclusiva por escrito de Kohler Co.**



USA/Canada: 1-800-4KOHLER

México: 001-800-456-4537

[kohler.com](http://kohler.com)

THE BOLD LOOK  
OF **KOHLER**®

©2016 Kohler Co.

1267931-2-F