



Underscore® Oval

5.5' Whirlpool Bath

K-5716-H2



Features

- 8 hydromassage jets can be individually adjusted for water flow and direction.
- Variable-speed pump for adjusting massage intensity.
- Built-in heater.
- Lighted keypad.
- Oval-shaped basin offers a graceful and spacious bathing experience.
- Sloping backrest provides comfort.
- Slotted overflow allows for deep soaking.
- Requires K-7271 or K-7272 Clearflo slotted overflow bath drain (sold separately).
- Center drain.

Material

- Acrylic

Hydrotherapy

- Whirlpool

Installation

- Drop-in or under-mount.

Required Accessories

K-7271 Brass Slotted Overflow Bath Drain
K-9698 Flexjet® Whirlpool Trim Kit

or

K-7272 PVC Slotted Overflow Bath Drain
K-9698 Flexjet® Whirlpool Trim Kit

Recommended Accessories

K-24916 Wireless Music Kit
K-883 Under-Mount Installation Kit



Codes/Standards

ASME A112.19.7/CSA B45.10
CSA B45.5/IAPMO Z124
ASTM E162
ASTM E662
UL 1795
CSA C22.2 No. 218.2
Greenguard UL 2818 - Gold

**KOHLER® Plastic Baths and Receptors
Lifetime Limited Warranty
KOHLER® Hydrotherapy Components
Five-Year Limited Warranty**

See website for detailed warranty information.

Available Color/Finishes

Color tiles intended for reference only.

Color	Code	Description
	0	White
	96	Biscuit
	47	Almond
	NY	Dune
	95	Ice™ Grey
	G9	Sandbar
	K4	Cashmere
	58	Thunder™ Grey

1-800-4KOHLER (1-800-456-4537)

Kohler Co. reserves the right to make revisions without notice to product specifications.

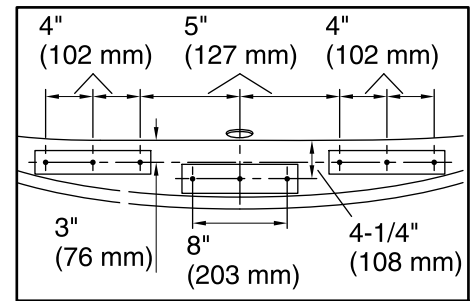
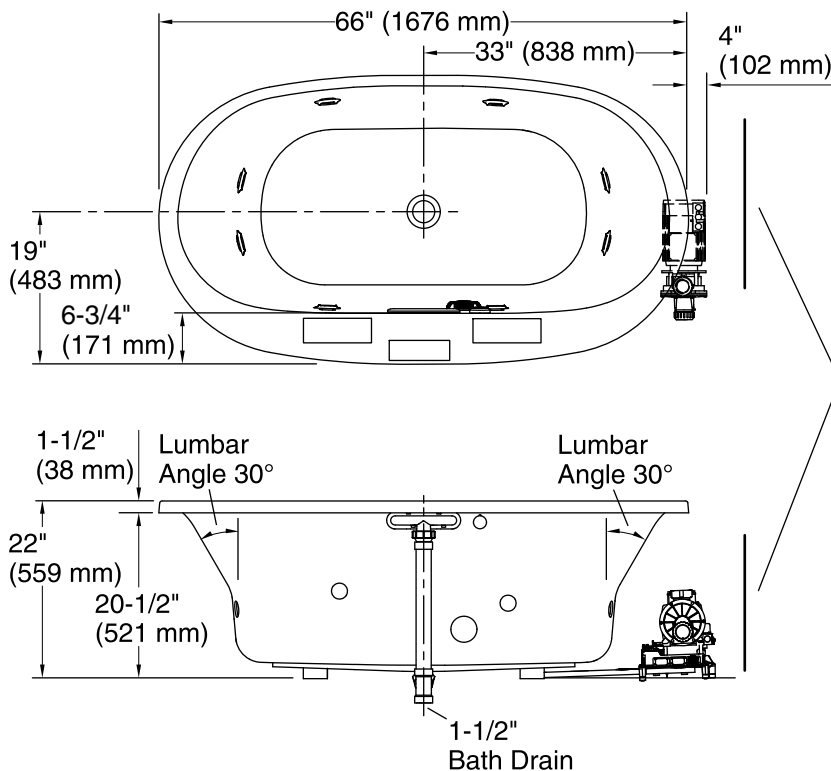
For the most current Specification Sheet, go to www.kohler.com.

12-4-2018 13:54 - US

THE BOLD LOOK
OF **KOHLER**®

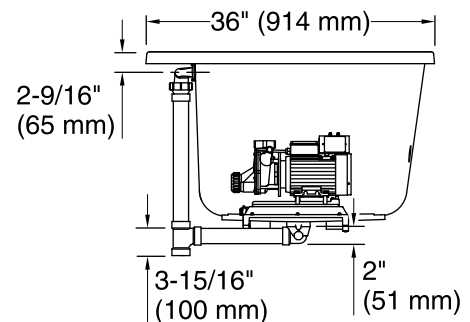
No change in measurements if connected with drain illustrated. (K-7272)

□ Recommended Faucet Location



Recommended Faucet Hole Location

Pump/Control Access
34" (864 mm) W
x 15" (381 mm) H



Required Electrical Service

One dedicated circuit required, protected with Class A Ground-Fault Circuit-Interrupter (GFCI) or Residual Current Device (RCD).

Pump, Heater: 240 V, 20 A, 50/60 Hz

Technical Information

All product dimensions are nominal.

Installation:	Drop-in, Under-mount
Drain location:	Center
Basin area, bottom:	47" x 26-1/4" (1193 mm x 666 mm)
Basin area, top:	61-3/16" x 28-3/8" (1554 mm x 721 mm)
Weight:	140 lbs (63.5 kg)
Minimum floor load:	54.8 lbs/ft ² (267.6 kg/m ²)
Water depth:	17-9/16" (446 mm)
Water capacity:	85.5 gal (323.7 L)
Template:	Drop-in, 1268439-7, required, included
Electrical component rating:	Pump: 240 V, 11 A, 50/60 Hz Heater: 240 V, 50/60 Hz, 1500 W

Notes

Measure your actual product for rough-in details. Install this product according to the installation instructions.

The hot water supply should be 70% of the capacity of the bath or greater. Installations will vary.

The pump base extends beyond the edge of the rim. Modify the framing as needed.

If installing a rim-mount faucet, make sure there is no interference with drain overflow before drilling any holes. Consult local and national codes for minimum air gap requirements if installing a spout on the faucet deck.