

Features

- One-piece wall-hung toilet with integrated cleansing functionality.
- Elongated bowl offers added room and comfort.
- Mounting hardware is completely concealed for sleek looks and easy cleaning.
- Motion-activated, hands-free opening/closing of cover.
- Dual flush offers a choice of 0.8 or 1.6 gallons per flush (gpf).
- Stainless steel wand offers adjustable spray shape, position, water pressure, temperature, pulsate, and oscillate functions.
- Front and rear wash modes provide warm water for cleansing.
- Self-cleaning function uses UV light and electrolyzed water systems to sanitize the wand surfaces.
- Warm-air drying system with adjustable temperature settings.
- Automatic deodorization system.
- Heated seat with adjustable temperature settings.
- Automatically flushes toilet after use.
- LED lighting illuminates the bowl to serve as a night-light.
- Touchscreen LCD remote.
- Touchless actuator plate in Honed White.
- 3-Year Limited Warranty.

Installation

- See installation guide and installation video for more detailed information.

Components

Additional included component/s: In-wall tank & carrier system for Integrated Toilets, Wall-hung compact elongated toilet bowl, Remote control & docking station, Touchless and manual faceplate flush actuation system, and Integrated elongated bidet seat.



Codes/Standards

ASME A112.19.2/CSA B45.1
 ASME A112.19.14
 ASME A112.4.2
 ASME A112.6.2
 DOE - Energy Policy Act 1992
 EPA WaterSense®
 California Energy Commission (CEC)
 UL 1951
 CSA C22.2 No. 14
 CSA C22.2 No. 68

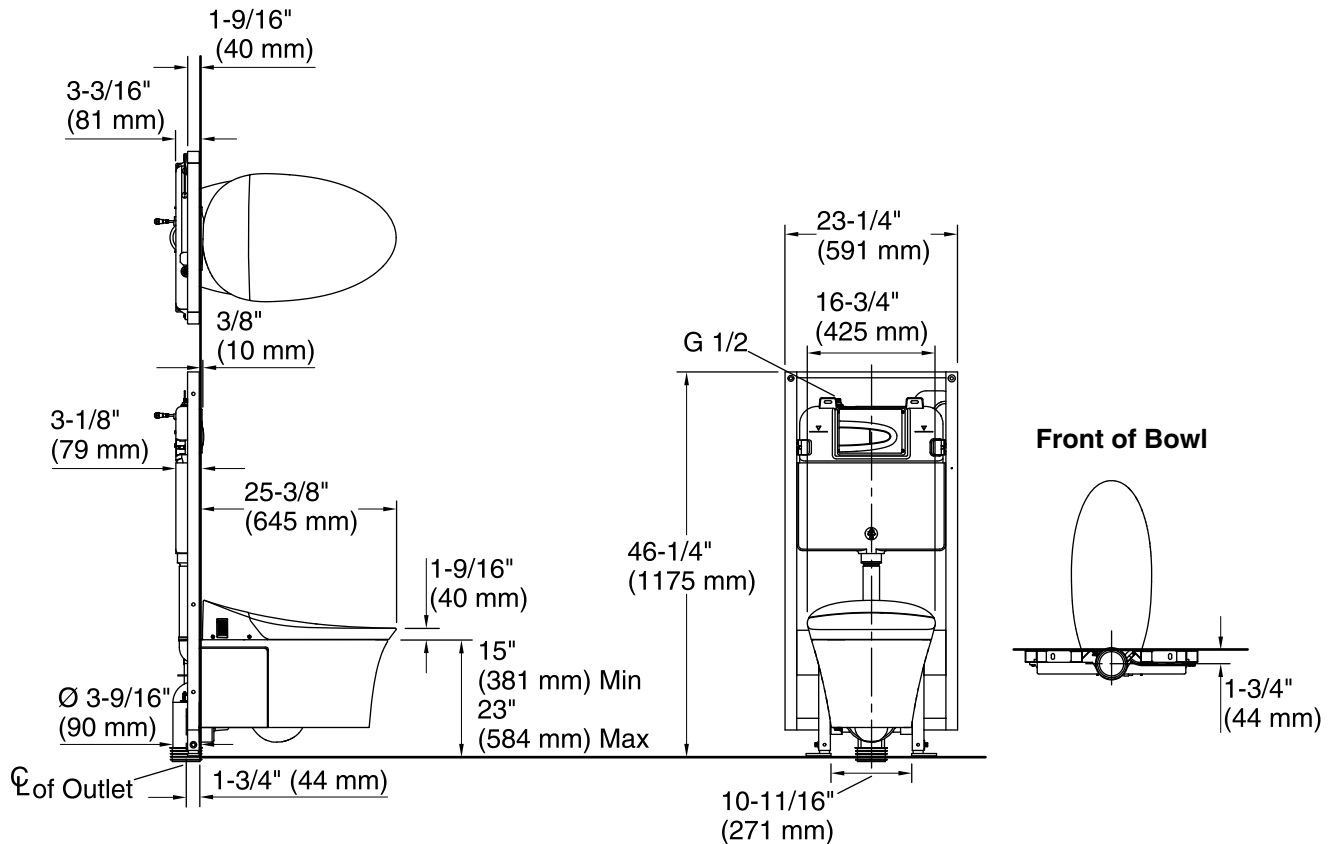
See website for detailed warranty information.

Available Color/Finishes

Color tiles intended for reference only.

Color Code Description

■	0	White
---	---	-------



Required Electrical Service

One dedicated circuit required.

120 V, 15 A, 60 Hz

Technical Information

All product dimensions are nominal.

Toilet type: One-piece

Water Consumption

Full: 1.6 gpf (6 lpf)

Reduced: 0.8 gpf (3 lpf)

Seat-mounting holes: 5-1/2" (140 mm)

Notes

Install this product according to the installation instructions.

Requires 2x4 or 2x6 stud construction.

Refer to manufacturer's instructions and local codes for flush valve requirements.

In-wall tank and carrier system install in wall opening 3-3/16" (81 mm) x 23-1/4" (591 mm) x 51-1/4" (1302 mm) minimum.