



# Tournant® | K-77515

Semi-professional kitchen sink faucet with three-function sprayhead

## Features

- Unique three-function sprayhead allows you to tackle tasks such as cleaning, rinsing and filling with Sweep® Spray, BerrySoft® spray, and aerated stream
- Sweep® spray creates a wide, forceful blade of water for superior cleaning
- BerrySoft® is a light spray ideal for washing hands, rinsing delicate dishware, and prepping fruits and vegetables
- DockNetik® magnetic docking system securely locks sprayhead into place when not in use
- KOHLER® ceramic disc valves exceed industry longevity standards for a lifetime of durable performance
- MasterClean™ sprayface features an easy-to-clean surface that withstands mineral buildup and maximizes spray performance
- High-arch gooseneck swing spout and 360° spout rotation offers superior clearance for filling pots and cleaning
- Single lever handle is simple to use and makes adjusting water temperature easy
- Temperature memory allows faucet to be turned on and off at the temperature set during prior usage
- 1.5 gpm (5.7 lpm) maximum flow rate at 60 psi (4.14 bar)



## Sustainability



## Available Colors/Finishes

*Color tiles intended for reference only.*

- CP Polished Chrome
- SN Vibrant Polished Nickel
- AF Vibrant French Gold
- VS Vibrant Stainless
- BV Vibrant Brushed Bronze
- 2MB Vibrant Brushed Moderne Brass
- TT Vibrant Titanium



1-800-4KOHLER (1-800-456-4537)

Kohler Co. reserves the right to make revisions without notice to product specifications.  
For the most current specification sheet, go to [www.kohler.com](http://www.kohler.com) USA or [www.kohler.ca](http://www.kohler.ca) Canada.  
4-15-2026 4:52 - US-CA

THE BOLD LOOK  
OF **KOHLER**

## Codes/Standards

ADA, CSA B651 compliant when installed to the specific requirements of these regulations.

ADA CSA B651

ASME A112.18.1/CSA B125.1  
NSF/ANSI/CAN 372  
NSF/ANSI/CAN 61  
DOE - Energy Policy Act 1992  
California Energy Commission (CEC)  
ADA  
ICC/ANSI A117.1  
CSA B651

## Technical Information

All product dimensions are nominal.

### Handle

Handle Style/ Type: Lever

### Spout

Spout Reach: 10" (254 mm)

### Flow Rate

Faucet Flow Rate: 1.5 gpm (5.7 l/min)

## Valves

Included Valves: Ceramic disc, Thermostatic, Volume Control

## Material

- Premium metal construction for durability and reliability
- KOHLER finishes resist corrosion and tarnishing

## Recommended Products/Accessories

K-23723 Faucet cleaner

K-77687 Single replacement filter cartridge

K-77688 Two-pack replacement filter cartridges

K-99272 3-hole kitchen faucet escutcheon

K-77685 Single-cartridge water filtration system

K-77686 Double-cartridge water filtration system

## Warranty

See website for detailed warranty information.

KOHLER® Faucet Lifetime Limited Warranty

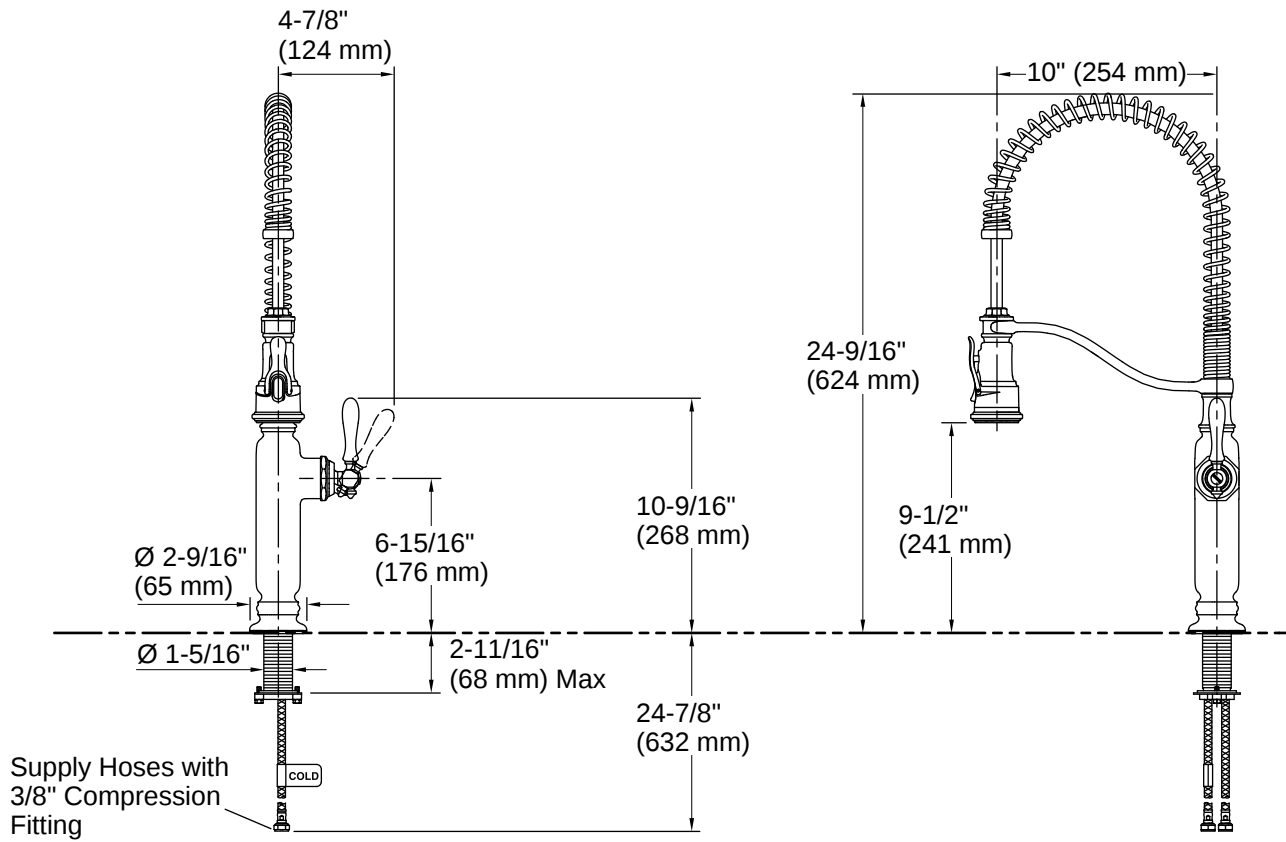


1-800-4KOHLER (1-800-456-4537)

Kohler Co. reserves the right to make revisions without notice to product specifications.

For the most current specification sheet, go to [www.kohler.com](http://www.kohler.com) USA or [www.kohler.ca](http://www.kohler.ca) Canada.

4-15-2026 4:52 - US-CA



## Installation

- Single-hole installation (three-hole escutcheon sold separately)
- Flexible supply lines simplify installation

## Installation Notes

*Install this product according to the installation instructions.*

ADA compliant for faucet handles only  
 ADA, CSA B651 compliant when installed to the specific requirements of these regulations.

