

### Features

- Vitreous china.
- Comfort Height® Elongated bowl.
- Class Five® flushing system.
- Includes left-hand polished chrome trip lever.
- 1.28 gpf (4.8 lpf).
- Concealed trapway.
- 2-1/8" (54 mm) fully glazed trapway.
- Clean Caps™ low-profile bolt caps.
- 12" (305 mm) rough-in.
- Less seat and supply.
- 10-5/8" (269 mm) x 8" (203 mm) water area.
- 29-3/4" (756 mm) x 18" (457 mm) x 31-1/4" (794 mm).
- Floor mount / Floor outlet.

### Optional Accessories

- K-4636 Toilet Seat
- K-7637 Angle Supply with Stop (single)
- K-4731-C Commercial Heavy-duty Toilet Seat

### Components

Product includes:

- K-80020 Concealed Trapway Bowl
- K-5311 Toilet Tank
- Additional included component/s: Tank cover, Trip lever, and Floor Mounting Kit.



ADA CSA B651 OBC

### Codes/Standards





ASME A112.19.2/CSA B45.1  
DOE - Energy Policy Act 1992  
EPA WaterSense®  
California Energy Commission (CEC)  
ADA  
ICC/ANSI A117.1  
CSA B651  
OBC

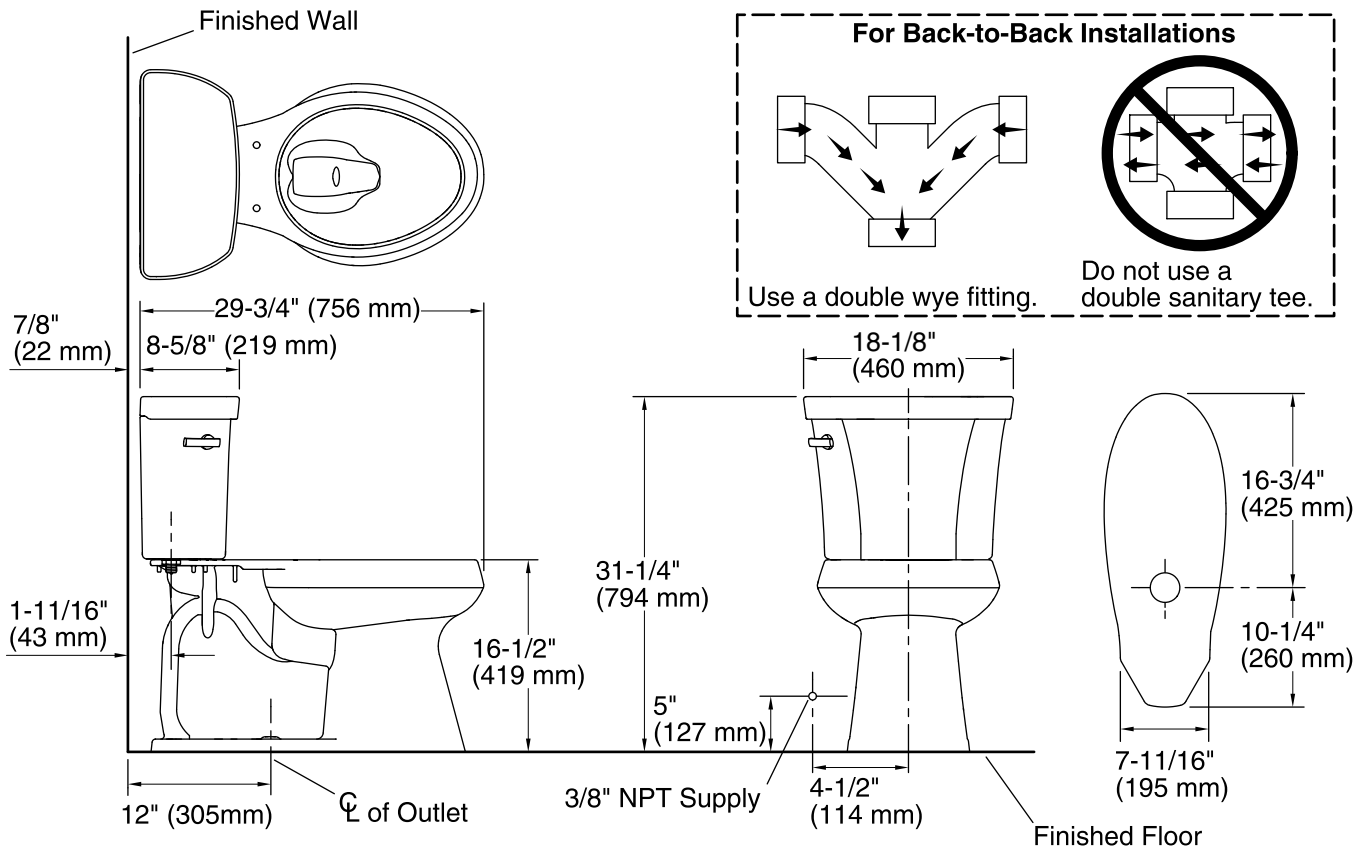
### KOHLER® One-Year Limited Warranty

See website for detailed warranty information.

### Available Color/Finishes

*Color tiles intended for reference only.*

Color	Code	Description
	0	White
	96	Biscuit
	47	Almond
	7	Black Black™



### Technical Information

All product dimensions are nominal.

Toilet type:	Two-piece, Floor-mount
Waste Outlet:	Floor
Bowl shape:	Elongated front
Flush type:	Class Five
Trap passageway:	2-1/8" (54 mm)
Water Consumption	
Full:	1.28 gpf (4.8 lpf)
Water surface size:	10-5/8" x 8" (269 mm x 203 mm)
Rim to water surface:	5-3/8" (137 mm)
Rough-in:	12" (305 mm)
Seat-mounting holes:	5-1/2" (140 mm)

### Notes

Install this product according to the installation instructions.

For back-to-back toilet installations: Use only a 45 degree double wye fitting.

ADA, OBC, CSA B651 compliant when installed to the specific requirements of these regulations.

Plumbing Codes require elongated toilets and elongated, open-front toilet seats in public bathrooms.

Accessibility standards require controls to be located on the open side of the toilet.