

Features

- Metal construction.
- One-piece, self-contained ceramic disc valve allows both volume and temperature control.
- Temperature memory allows faucet to be turned on and off at any temperature setting.
- 4-3/16" (107 mm) spout reach.
- Stationary spout.
- Lever handle.
- Metal throat plate.
- For 4" (102 mm) centers.
- Metal pop-up drain with tailpiece.
- Flexible supplies.
- Red/blue indexing.
- Vandal-resistant aerator.
- 0.5 gal/min (1.9 l/min) maximum flow rate [max at 60 psi (4.14 bar)].

Optional Accessories

1160594 Large Spray Aerator 0.35 gpm (1.3 l/min)



ADA

CSA B651

OBC

Codes/Standards

ASME A112.18.1/CSA B125.1

NSF 61

NSF 372

All applicable US Federal and State material regulations

DOE - Energy Policy Act 1992

California Energy Commission (CEC)

ADA

ICC/ANSI A117.1

CSA B651

OBC

KOHLER® Faucet Lifetime Limited Warranty

See website for detailed warranty information.

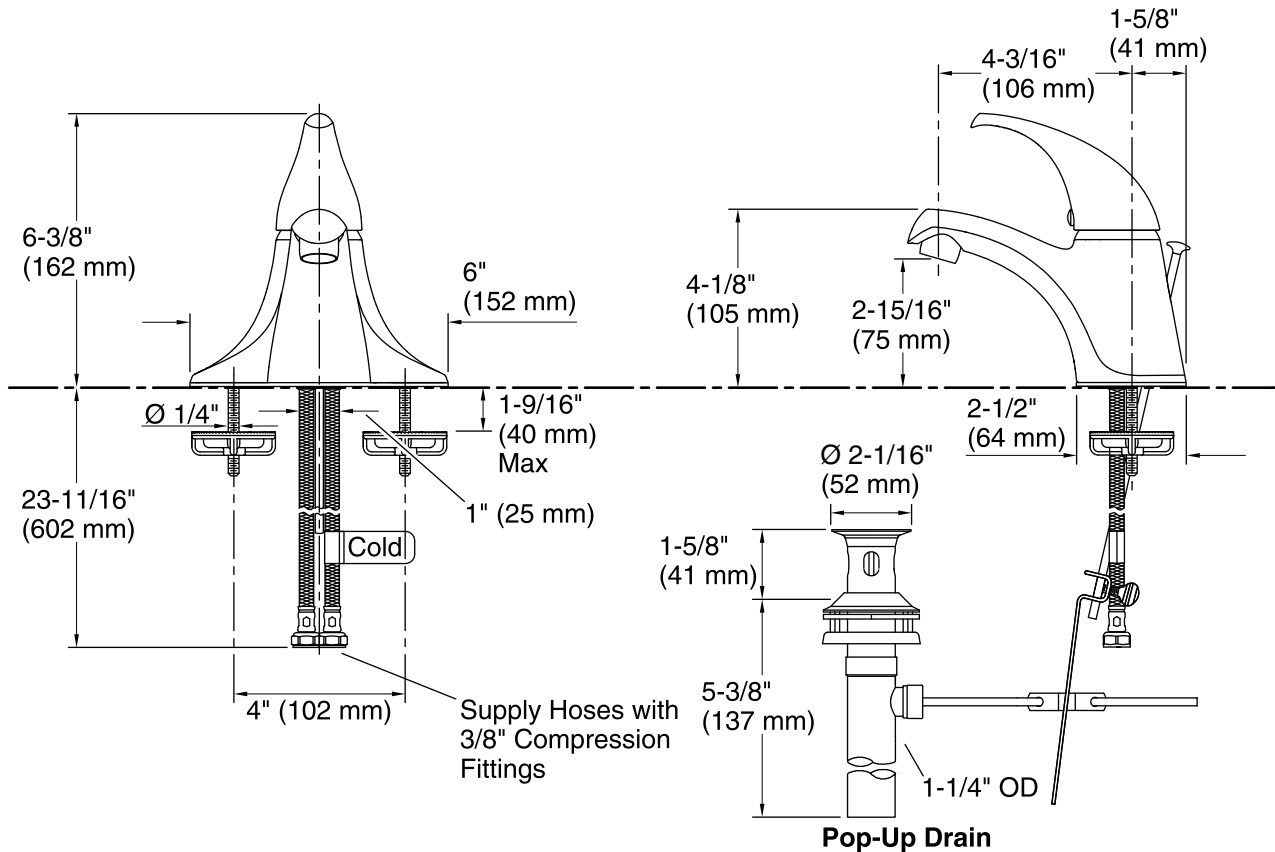
Available Color/Finishes

Color tiles intended for reference only.

Color Code Description



CP Polished Chrome



Technical Information

All product dimensions are nominal.

Valve body: Plastic
 Drain included: YES
 Drain with overflow: YES
 Drain tailpiece included: YES

Spout:

Spout reach: 4-3/16" (107 mm)
 Handle clearance: 3-3/8" (86 mm)

Faucet:

Flow rate: 0.5 gal/min (1.9 l/min)
 Pressure: 60 psi (4.1 bar)

Notes

Install this product according to the installation guide.

ADA, OBC, CSA B651 compliant when installed to the specific requirements of these regulations.